



Maximum Performance



UY65, UY80, UY105, UY135

FEATURES AND BENEFITS

- Freestanding, high spin
- Stainless steel front, side and top panels
- Stainless steel drum and tub
- Patented soap hopper
- Large drain valve (Ø 76 mm)
- Easy access to all vital parts from the front
- Large door opening for easy loading & unloading
- Liquid soap connection

OPTIONS

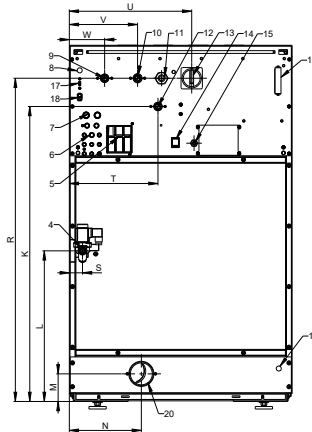
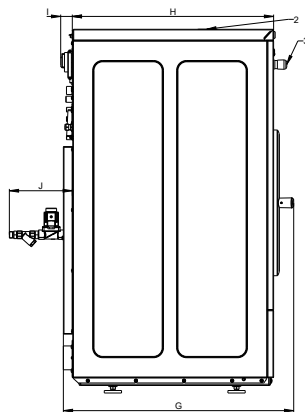
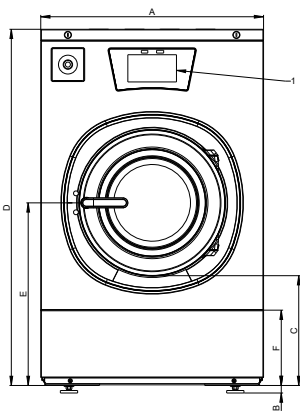
- Liquid soap pumps
- Water recovery kit
- Steam heating version
- 3rd water inlet
- USB plug (on the back panel)

CONTROL

- PROform Touch
 - 7" full color touch screen display with swipe function: very intuitive for users
 - user-friendly screen with operating instructions built in as part of the control
 - Complete control content available in 34 languages
 - 20 standard wash programmes, total memory capacity for 99 programmes
 - Wireless communication enabling programming & firmware updates through cloud
 - Automated service reminders remind users to maintenance tasks

HIGH EFFICIENT SOFT-MOUNTED WASHER-EXTRACTORS

TYPE		UY65	UY80	UY105	UY135
INNERDRUM					
Capacity (1:10)	kg/lb	6.5/14	7.5/20	10.5/25	13.5/30
Volume	l	65	75	105	135
Diameter	mm	530	530	620	620
DRUM SPEED					
Wash	rpm	49	49	49	49
Extraction	rpm	1165	1165	1075	1075
G-Factor		400	400	400	400
HEATING					
Electricity (standard)	kW	3/4.6/6/9	3/4.6/6/9	3/4.6/6/9/12	4.6/9/12
Steam	bar	1-8	1-8	1-8	1-8
Hot water	°C	90	90	90	90
Sound pressure level	dB (A)	<65	<65	<65	<65
Water valves connection	inch	3/4"	3/4"	3/4"	3/4"
Water pressure	kPa	100-800	100-800	100-800	100-800
Rec. water pressure	kPa	300-500	300-500	300-500	300-500
Water inlet	l/min	20	20	20	20
Drain valve	outer Ø mm	76	76	76	76
Flow amount with drain valve	l/min	210	210	210	210
Steam valve connection	inch	1/2"	1/2"	1/2"	1/2"
Steam pressure	kPa	100-800	100-800	100-800	100-800
DIMENSIONS*					
HxWxD	mm	1115x710x740	1115x710x790	1225x795x795	1225x795x945
TRANSPORT DATA*					
gross/net	kg	180/170	200/185	235/210	275/255
HxWxD packed	mm	1265x750x840	1265x750x840	1365x835x840	1365x835x945



1. Control panel
2. Soap dispenser
3. Central stop button
4. Steam connection
5. Air relieve
6. Liquid soap connection
7. Recycled water inlet
8. Recycled water valve cable inlet
9. Cold water inlet, soft
10. Cold water inlet, hard
11. Electrical connection
12. Hot water inlet
13. Main switch
14. Heating change-over switch
15. Liquid soap pump electrical connection
16. Fuses
17. USB port - optional
18. PC programming connection
19. Discharge water cable inlet
20. Drain valve <3 in (76 mm)
21. Drain valve 1/2", applicable for wash bath sample (on request only)
22. Hidden USD port (under top cover) - standard

TYPE	A	B	C	D	E	F	G	H	I	J	K	L	M	N	O	P
UY 65	710	24	349	1135	582	240	730	642	48	180	940	480	88	230	203	N/A
UY 80	710	24	349	1135	582	240	780	692	48	180	940	480	88	230	203	N/A
UY 105	795	24	342	1245	617	240	785	692	48	180	1050	506	88	230	203	N/A
UY 135	795	24	342	1245	617	240	935	842	48	180	1050	506	88	230	203	N/A

TYPE	Q	R	S	T	U	V	W
UY 65	67	1030	42	283	390	218	113
UY 80	67	1030	42	283	390	218	113
UY 105	67	1140	42	293	475	218	113
UY 135	67	1140	42	293	475	218	113

TO LEARN MORE, OR TO FIND A DISTRIBUTOR IN YOUR AREA, VISIT UNIMAC.COM
ALLIANCE LAUNDRY SYSTEMS - SHEPARD ST, RIPON WI 54971 - +1 800 587 5458

Consult your UniMac® distributor for details. For the most accurate information, the installation guide should be used for all design and construction purposes. Due to continuous product improvements, design and specifications subject to change without notice. The quality management systems at Alliance Laundry Systems® Ripon facility has been registered to ISO 9001:2008.

©2020 Alliance Laundry Systems LLC.

UniMac by Alliance Laundry Systems