



Maximum Performance



UY180, UY240, UY280

FEATURES AND BENEFITS

- Freestanding, high spin
- Stainless steel front, side and top panels
- Stainless steel drum and tub
- Patented soap hopper
- High capacity water inlets (UY280)
- Large drain valve (Ø 76 mm)
- Easy access to all vital parts from the front
- Large door opening for easy loading & unloading
- Liquid soap connection

OPTIONS

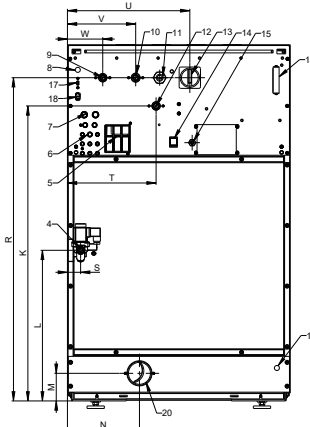
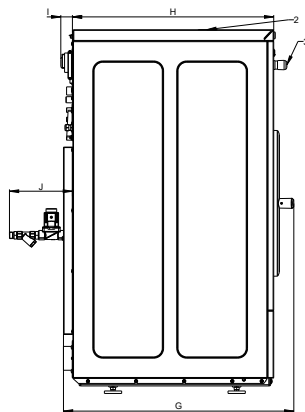
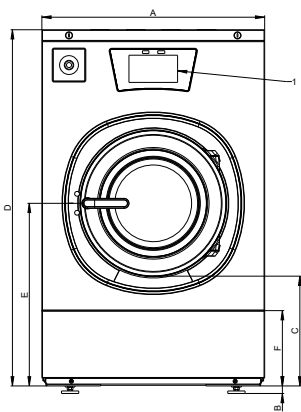
- Liquid soap pumps
- Water recovery kit
- Steam heating version
- 3rd water inlet
- High capacity water inlets UY180,UY240
- USB plug (on the back panel)

CONTROL

- PROform Touch
 - 7" full color touch screen display with swipe function: very intuitive for users
 - user-friendly screen with operating instructions built in as part of the control
 - Complete control content available in 34 languages
 - 20 standard wash programmes, total memory capacity for 99 programmes
 - Wireless communication enabling programming & firmware updates through cloud
- - Automated service reminders remind users to maintenance tasks

HIGH EFFICIENT SOFT-MOUNTED WASHER EXTRACTORS

TYPE		UY180	UY240	UY280
INNERDRUM				
Capacity (1:10)	kg/lb	18/40	24/55	28/65
Volume	l	180	240	280
Diameter	mm	750	750	750
DRUM SPEED				
Wash	rpm	42	42	42
Extraction	rpm	980	980	915
G-Factor		400	400	350
HEATING				
Electricity (standard)	kW	12/18	18	21.9
Steam	bar	1-8	1-8	1-8
Hot water	°C	90	90	90
Sound pressure level	dB (A)	<65	<65	<65
Water valves connection	inch	3/4"	3/4"	3/4"
Water pressure	kPa	100-800	100-800	100-800
Rec. water pressure	kPa	300-500	300-500	300-500
Water inlet	l/min	20	20	20-50
Drain valve	outer Ø mm	76	76	76
Flow amount with drain valve	l/min	210	210	210
Steam valve connection	inch	1/2"	1/2"	1/2"
Steam pressure	kPa	100-800	100-800	100-800
DIMENSIONS				
HxWxD	mm	1410x970x970	1410x970x1105	1410x970x1185
TRANSPORT DATA				
Gross weight	kg	395	450	515
Net weight	kg	380	430	495
Packed HxWxD	mm	1570x1025x1015	1570x1025x1150	1570x1025x1225



1. Control panel
2. Soap dispenser
3. Central stop button
4. Steam connection
5. Air relieve
6. Liquid soap connection
7. Recycled water inlet
8. Recycled water valve cable inlet
9. Cold water inlet, soft
10. Cold water inlet, hard
11. Electrical connection
12. Hot water inlet
13. Main switch
14. Heating change-over switch
15. Liquid soap pump electrical connection
16. Fuses
17. USB port - optional
18. PC programming connection
19. Discharge water cable inlet
20. Drain valve <3 in (76 mm)
21. Drain valve 1/2", applicable for wash bath sample (on request only)
22. Hidden USD port (under top cover) - standard

TYPE	A	B	C	D	E	F	G	H	I	J	K	L	M	N	O
UY 180	970	24	477	1430	777	335	1095	1007	48	90	1234	490	108.5	270	203
UY 240	970	24	477	1430	777	335	1095	1007	48	90	1234	490	108.5	270	203
UY 280	970	24	477	1430	777	335	1175	1087	48	90	1234	490	108.5	270	203

TYPE	P	Q	R	S	T	U	V	W
UY 180	N/A	67	1324	80	293	610	218	113
UY 240	N/A	67	1324	80	293	610	218	113
UY 280	274	67	1324	80	293	610	218	113

TO LEARN MORE, OR TO FIND A DISTRIBUTOR IN YOUR AREA, VISIT UNIMAC.COM
ALLIANCE LAUNDRY SYSTEMS - SHEPARD ST, RIPON WI 54971 - +1 800 587 5458

Consult your UniMac® distributor for details. For the most accurate information, the installation guide should be used for all design and construction purposes. Due to continuous product improvements, design and specifications subject to change without notice. The quality management systems at Alliance Laundry Systems' Ripon facility has been registered to ISO 9001:2008.

©2020 Alliance Laundry Systems LLC.

UniMac® by Alliance Laundry Systems