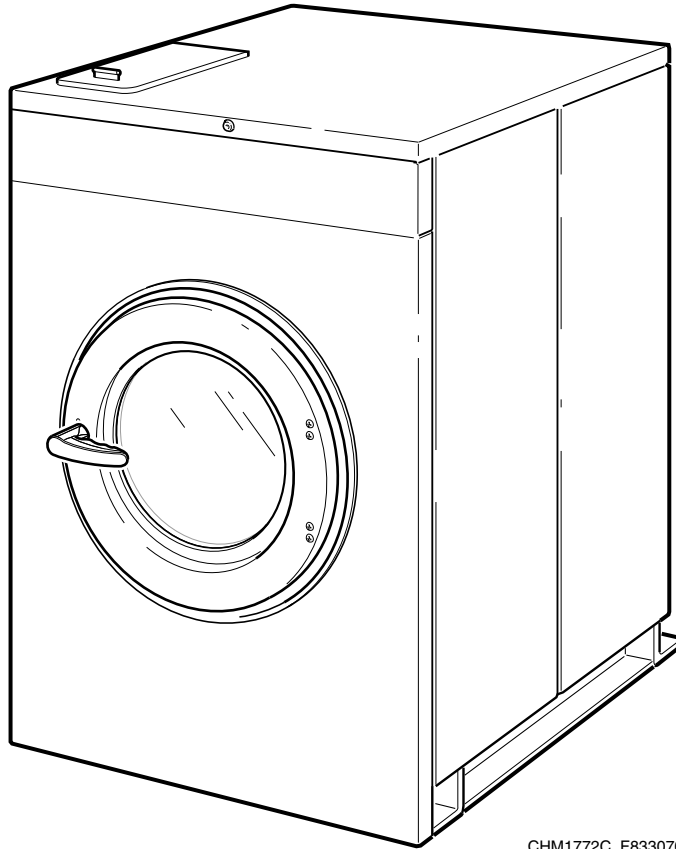


Washer-Extractor

Cabinet Hardmount

Refer to Page 5 for Model Numbers



CHM1772C_F8330701

Table of Contents

Title	Page
Parts Ordering Information.....	3
Nameplate Location	3
Model Identification	5
Product Overview - M9, M30, Galaxy 400, Galaxy 600, Quantum Silver and Quantum Gold	6
Product Overview for M4, Galaxy 200 and Quantum Standard.....	8
Decals	10
Control Module - 2 Speed OPL Models	12
Control Module - F and V-Speed Design 1 OPL Models	14
Control Module - F and V-Speed Design 2 OPL Models	16
Control Module - 2 Speed Coin Models	18
Control Module - F-Speed Design 1 Coin Models.....	20
Control Module - F-Speed Design 2 Coin Models.....	22
Flush Mount Coin Meter Assembly (Drawing 1 of 2).....	24
Flush Mount Coin Meter Assembly (Drawing 2 of 2).....	26
Electronic Coin Meter Assembly	28
Card Reader - HY Models.....	30
Optional Coin Box	32
Front Panels and Control Panel - Coin Models.....	34
Front Panel and Control Panel - Card Reader and OPL Models	36
Control Panel Overlays - Coin and Card Models	38
Control Panel Overlays - OPL Models	40
Panels (Drawing 1 of 2)	42
Panels (Drawing 2 of 2)	44
Door	46
Door Lock.....	48
Basket, Shell, Frame and Trunnion - Design 1 Models (Drawing 1 of 3).....	50
Basket, Shell, Frame and Trunnion - Design 1 Models (Drawing 2 of 3).....	52
Basket, Shell, Frame and Trunnion - Design 1 Models (Drawing 3 of 3).....	54
Basket, Shell, Frame and Trunnion - Design 2 Models (Drawing 1 of 3).....	56
Basket, Shell, Frame and Trunnion - Design 2 Models (Drawing 2 of 3).....	58
Basket, Shell, Frame and Trunnion - Design 2 Models (Drawing 3 of 3).....	60
Drain Plumbing - Design 1 Models	62
Drain Plumbing - Design 2 Models	64
Drain Valve Assembly - 20 and 30 Pound Models.....	66
Drain Valve Assembly - 40 and 60 Pound Models.....	68
Steam Filter (Optional) and Water Supply Hose.....	70
Fill Plumbing Assembly (Drawing 1 of 2)	72
Fill Plumbing Assembly (Drawing 2 of 2)	74
Pulley and Belt - Design 1 Models (Drawing 1 of 3).....	76
Pulley and Belt - Design 1 Models (Drawing 2 of 3).....	78
Pulley and Belt - Design 1 Models (Drawing 3 of 3).....	80

© Copyright 2013, Alliance Laundry Systems LLC

All rights reserved. No part of the contents of this book may be reproduced or transmitted in any form or by any means without the expressed written consent of the publisher.

Pulley and Belt - Design 2 Models (Drawing 1 of 2).....	82
Pulley and Belt - Design 2 Models (Drawing 2 of 2).....	84
Motor - Design 1 Models	86
Motor - Design 2 Models	88
Electric Heat Option	90
Steam Heat Option	92
Parts Index	95

Parts Ordering Information

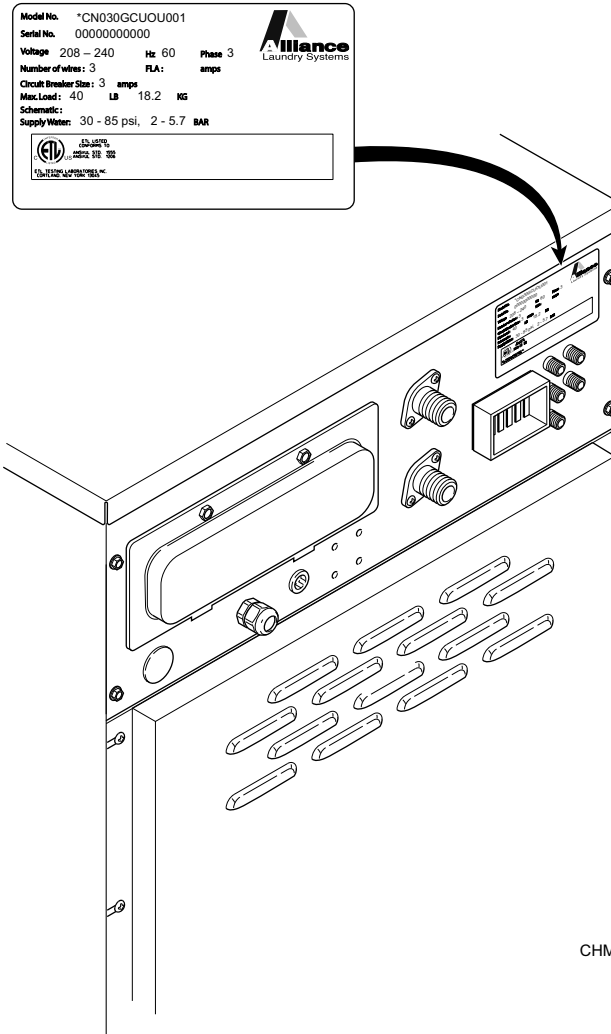
If literature or replacement parts are required, contact the source from whom the machine was purchased or contact Alliance Laundry Systems at (920) 748-3950 for the name and address of the nearest authorized parts distributor.

For technical assistance, call either of the numbers listed below:

(920) 748-3121 Ripon, Wisconsin
+32 56 41 20 54 Wevelgem, Belgium

Nameplate Location

When calling or writing about your product, be sure to mention model and serial numbers. Model and serial numbers are located on nameplate(s) as shown.



CHM3025P_F8330701

Model Identification

Information in this manual is applicable to these washer-extractor models:

HCL020HDF	HCN030HC2	HCU020HC2	SCL020HN2	UCL020HN2
HCL020HN2	HCN030HCF	HCU020HL2	SCL020HNF	UCL020HNF
HCL020HNV	HCN030HD2	HCU020HN2	SCL030HN2	UCL030HN2
HCL030HDF	HCN030HDF	HCU020HNF	SCL030HNF	UCL030HNF
HCL030HE2	HCN030HEF	HCU020HX2	SCL040HN2	UCL030HNV
HCL030HEF	HCN030HN2	HCU030HC2	SCL040HNF	UCL040HN2
HCL030HN2	HCN030HNF	HCU030HE2	SCL060HN2	UCL040HNF
HCL030HNF	HCN030HNV	HCU030HL2	SCL060HNF	UCL040HNV
HCL040HC2	HCN030HY2	HCU030HN2	SCN020HN2	UCL060HN2
HCL040HCF	HCN030HYF	HCU030HNF	SCN020HNF	UCL060HNF
HCL040HDF	HCN040HC2	HCU030HX2	SCN030HN2	UCL060HNV
HCL040HE2	HCN040HCF	HCU040HC2	SCN030HNF	UCN020HN2
HCL040HEF	HCN040HD2	HCU040HN2	SCN040HN2	UCN020HNF
HCL040HN2	HCN040HDF	HCU040HNF	SCN040HNF	UCN020HNV
HCL040HNV	HCN040HN2	HCU040HX2	SCN060HN2	UCN030HN2
HCL060HC2	HCN040HNF	HCU060HC2	SCN060HNF	UCN030HNF
HCL060HCF	HCN040HNV	HCU060HL2	SCU020HN2	UCN030HNV
HCL060HDF	HCN040HY2	HCU060HN2	SCU020HNF	UCN040HN2
HCL060HN2	HCN040HYF	HCU060HNF	SCU030HN2	UCN040HNF
HCL060HNF	HCN060HC2	HCU060HX2	SCU030HNF	UCN040HNV
HCL060HNV	HCN060HCF	HCZ020HN2	SCU040HN2	UCN060HN2
HCN020HC2	HCN060HDF		SCU040HNF	UCN060HNF
HCN020HCF	HCN060HN2		SCU060HN2	UCN060HNV
HCN020HD2	HCN060HNF		SCU060HNF	UCU020HN2
HCN020HN2	HCN060HNV		SCZ020HN2	UCU020HNF
HCN020HNF	HCN060HY2			UCU030HN2
HCN020HNV	HCN060HYF			UCU030HNF
HCN020HY2				UCU030HNV
HCN020HYF				UCU040HN2
				UCU040HNF
				UCU040HNV
				UCU060HN2
				UCU060HNF
				UCU060HNV
				UCZ030HN2

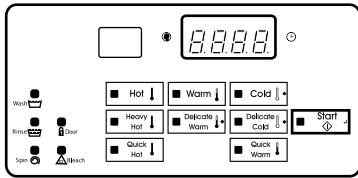
Product Overview - M9, M30, Galaxy 400, Galaxy 600, Quantum Silver and Quantum Gold

Model No. *CN030GC2U0U001
 Serial No. 0000000000

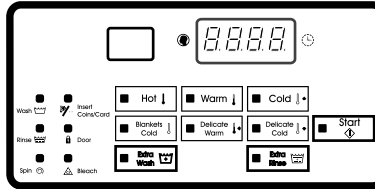
Voltage 208 – 240 Hz 60 Phase 3
 Number of wires : 3 FLA: amps
 Circuit Breaker Size : 3 amps
 Max. Load : 40 LB 18.2 KG
 Schematic:
 Supply Water: 30 - 85 psi, 2 - 5.7 BAR

Alliance
 Laundry Systems

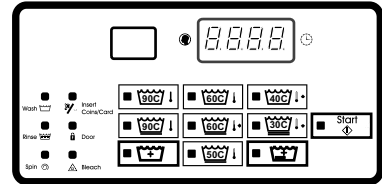
ETL LISTED
 CONFORMS TO
 ANSI/UL STD. 1525
 U.S. ANSI/UL STD. 1006
 ETL TESTING LABORATORIES INC.
 CORTLAND, NEW YORK 13045



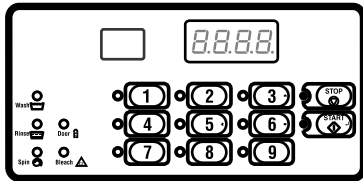
Galaxy 400 Coin



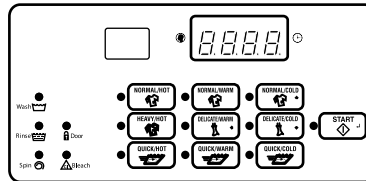
Galaxy 600 Coin (Domestic)



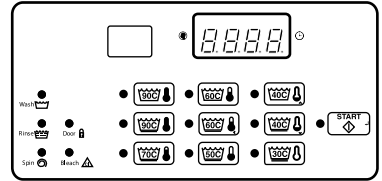
Galaxy 600 Coin (International)



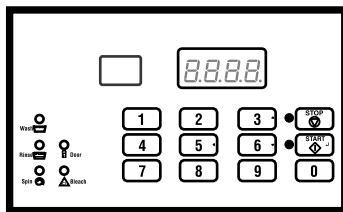
M9/Galaxy 400 OPL/Quantum Silver OPL



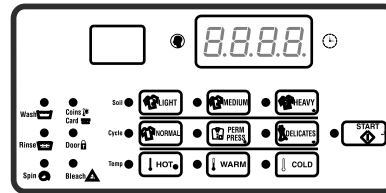
Quantum Silver Coin (Domestic)



Quantum Silver Coin (International)



M30/Quantum Gold OPL



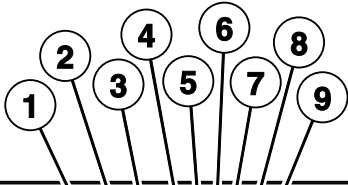
Quantum Gold

CHM3217P_F8330701

Product Overview - M9, M30, Galaxy 400, Galaxy 600, Quantum Silver and Quantum Gold


REF	PART NO.	DESCRIPTION	COMMENTS
1	-	Product Family	HC NC SC UC
2	-	Market	N (Domestic ETL(c)) L (International ETL(c)) U (International CE) D (Daiwa) Z (No Agency International)
3	-	Capacity (Pounds)	020 030 040 060 080 125
4	-	Control	G J L H K W
5	-	Actuation	C (Drop Coin Meter) D (Digital Coin Meter) E (Electronic World Drop) L (Prep for Remote/Central Pay) N (Non-Coin OPL) X (Prep for Coin Meter) Y (Prep for Card Reader)
6	-	Speed	2 (2 Speed) F (F-Speed) V (V-Speed)
7	-	Voltage	B (120/60/1/2) C (380-415/50/3/4) F (440-480/60/3/3) J (200/50/3/3) N (440-480/50/60/3) O (208/220-240/60/3/3) P (380-415/50/60/3) Q (200-208/220-240/50/60/3) R (380-415/440-480/50/60/3) X (200-208/220-240/50/60/1/3) Y (208/220-240/60/1/2)
8	-	Side Panel	U (Standard) 1 (Stainless Steel)
9	-	Design	1 2


Product Overview for M4, Galaxy 200 and Quantum Standard

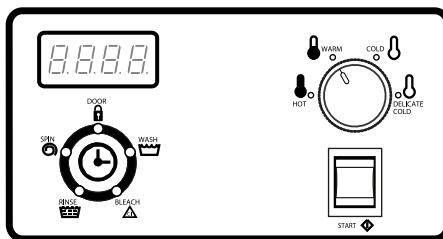


Model No. *CN030GC2U0U001
Serial No. 0000000000

Voltage 208 – 240 Hz 60 Phase 3
Number of wires : 3 FLA : amps
Circuit Breaker Size : 3 amps
Max. Load : 40 LB 18.2 KG
Schematic :
Supply Water: 30 - 85 psi, 2 - 5.7 BAR

 ETL LISTED
CONFORMS TO
ANSI/UL STD. 1555
US ANSI/UL STD. 1206
ETL TESTING LABORATORIES, INC.
CORTLAND, NEW YORK, 13045





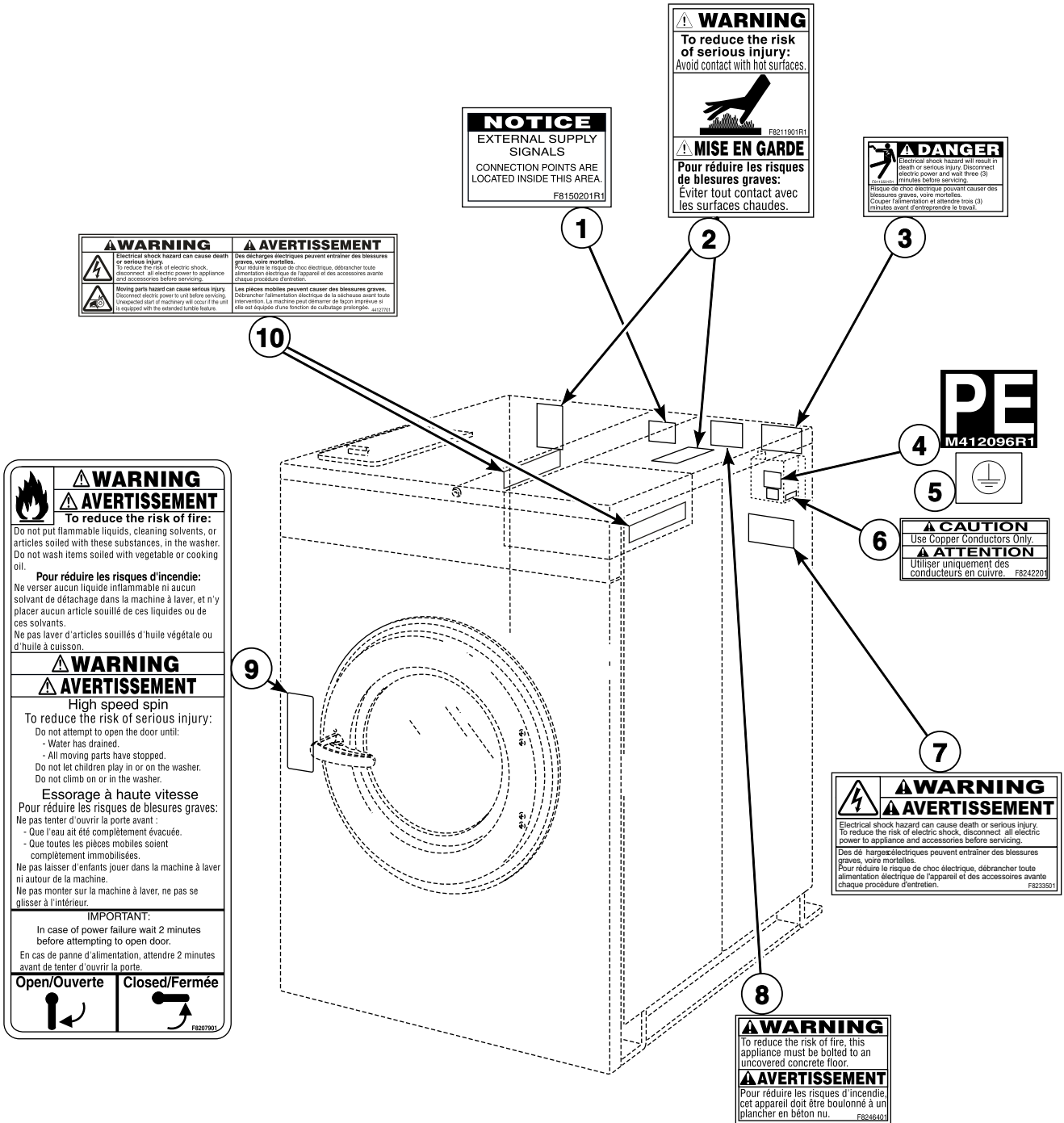
M4/Galaxy 200/Quantum Standard

CHM3218P_F8330701

Product Overview for M4, Galaxy 200 and Quantum Standard

REF	PART NO.	DESCRIPTION	COMMENTS
1	-	Product Family	HC NC SC UC
2	-	Market	N (Domestic ETL(c)) L (International ETL(c)) U (International CE) D (Daiwa) Z (No Agency International)
3	-	Capacity (Pounds)	020 030 040 060 080 125
4	-	Control	G J L H K W
5	-	Actuation	C (Drop Coin Meter) D (Digital Coin Meter) E (Electronic World Drop) L (Prep for Remote/Central Pay) N (Non-Coin OPL) X (Prep for Coin Meter) Y (Prep for Card Reader)
6	-	Speed	2 (2 Speed) F (F-Speed) V (V-Speed)
7	-	Voltage	B (120/60/1/2) C (380-415/50/3/4) F (440-480/60/3/3) J (200/50/3/3) N (440-480/50/60/3) O (208/220-240/60/3/3) P (380-415/50/60/3) Q (200-208/220-240/50/60/3) R (380-415/440-480/50/60/3) X (200-208/220-240/50/60/1/3) Y (208/220-240/60/1/2)
8	-	Side Panel	U (Standard) 1 (Stainless Steel)
9	-	Design	1 2

Decals

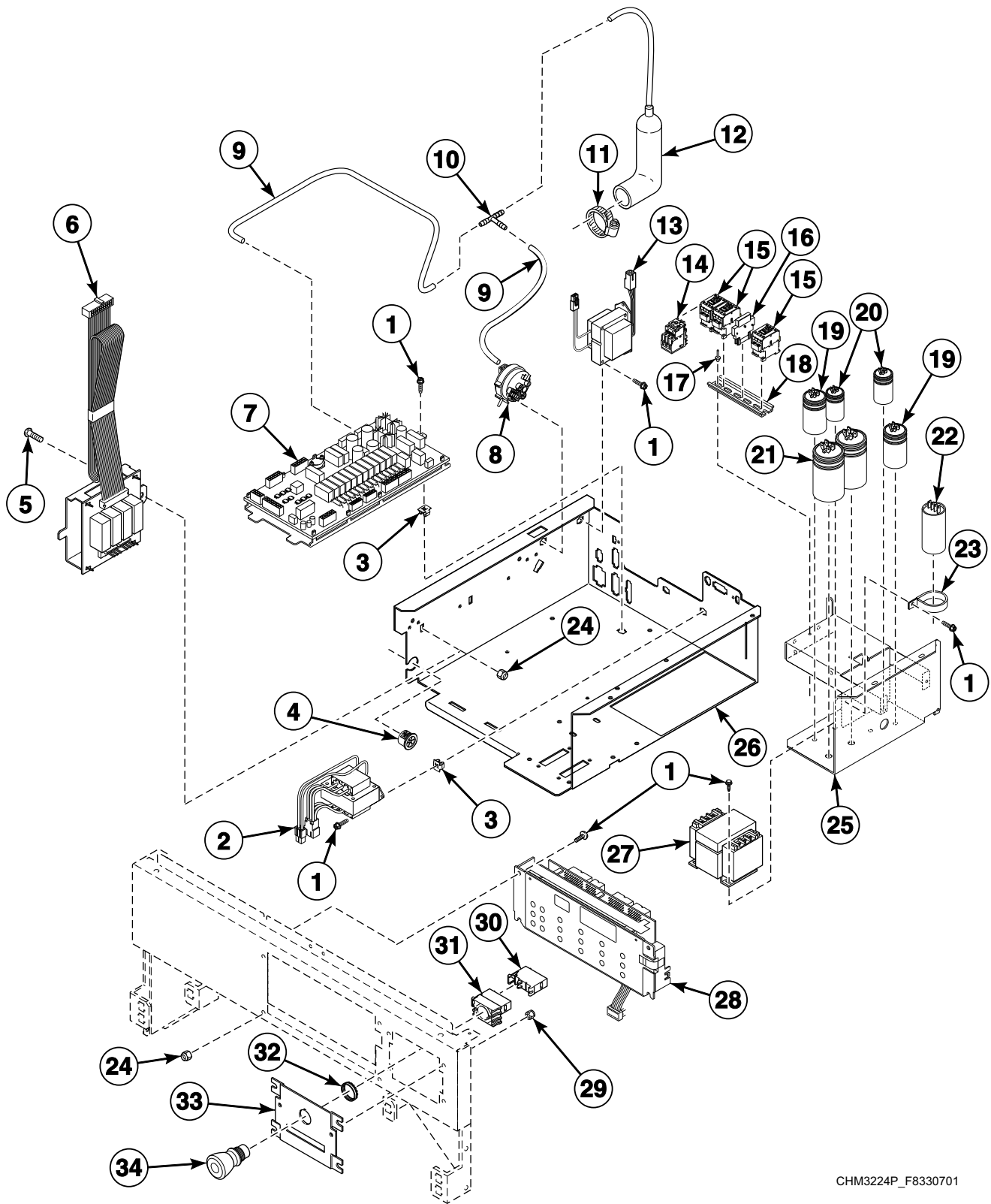


CHM3027P_F8330701

Decals

REF	PART NO.	DESCRIPTION	COMMENTS
1	F8150201	External Supply Connection Decal	
2	F8211901	Hot Surface Warning Plate	
3	F8115501	Electric Shock Danger Label	
4	M412096	Earth Terminal Sticker	
5	F230739	Ground Decal	
6	F8242201	Use Copper Conductors Only Caution Label	
7	F8233501	Warning Label	
8	F8246401	Mount on Concrete Warning Label	
9	F8207901	Warning Label	
10	44127701	Warning Label	

Control Module - 2 Speed OPL Models

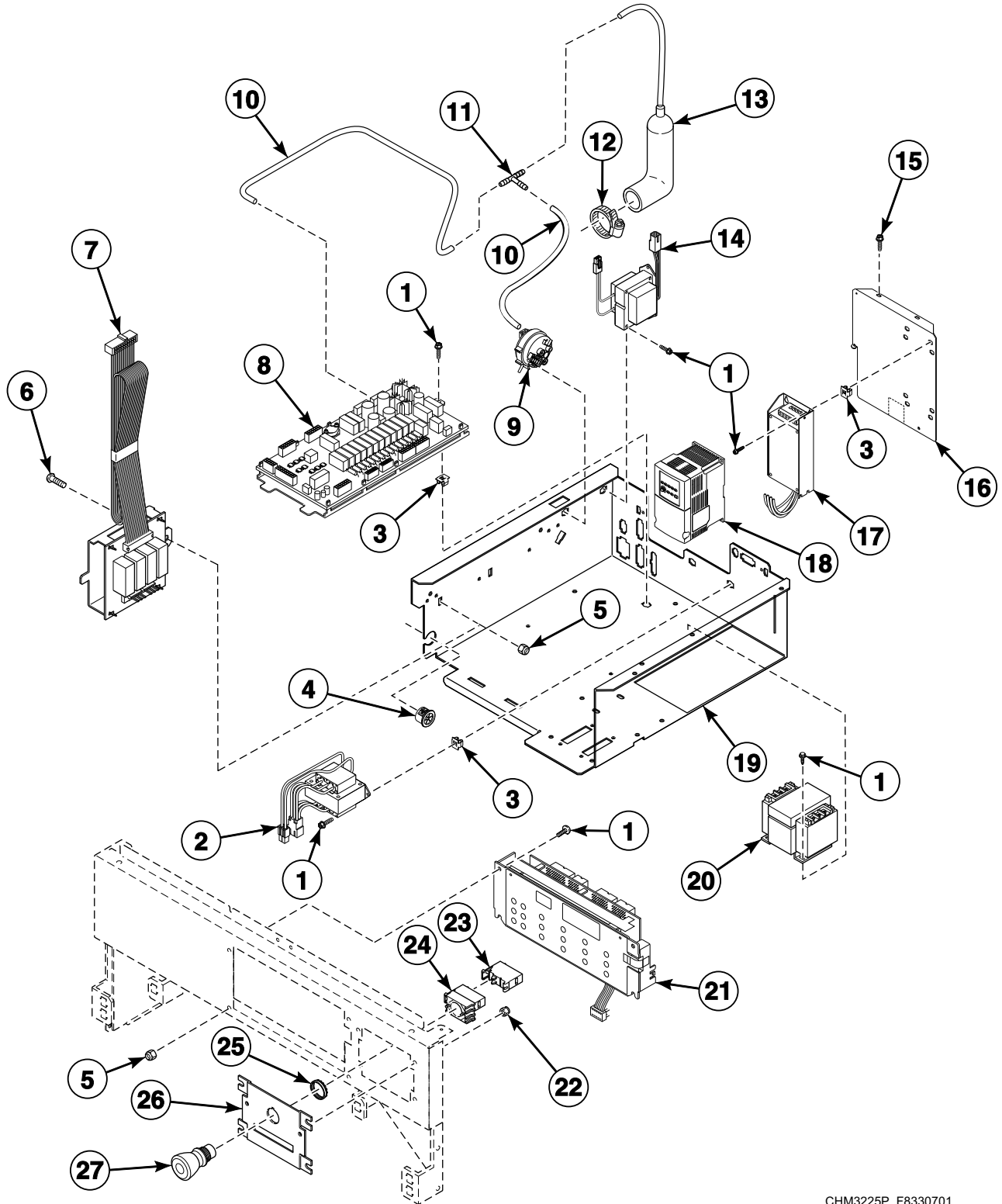


CHM3224P_F8330701

Control Module - 2 Speed OPL Models

REF	PART NO.	DESCRIPTION	COMMENTS
	F8028701	Output/Logic Harness	
	F8060501	Emergency Stop Harness	
	F8028101P	Machine Size Configuration Harness	20 pound models
	F8028103P	Machine Size Configuration Harness	30 pound models
	F8028104P	Machine Size Configuration Harness	40 pound models
	F8028105P	Machine Size Configuration Harness	60 pound models
	F8167901	USB IR Device Assembly	
	F8191201P	External Supply Harness	
	F937P3	External Supply Kit	Includes items 1, 6, 13, F8191201P External Supply Harness and screws
	M413506	Jumper Harness Assembly	208 Volt
	M413507	Jumper Configuration Assembly	240 Volt
1	F8206901	Screw	
2	803527P	Transformer	
3	70030501	Expansion Clip	
4	44071501	Snap Bushing	
5	F430903	Screw	
6	F8189401	Auxiliary Control Assembly	
7	F980P3	Control Assembly Kit	Includes item 10 and F8108001 Output Assembly
	802493	Fuse	2.5 Amp
8	F8223001P	Water Pressure Switch	
9	F8153901	Tubing	
10	F8246601	Tee	
11	F200222	Hose Clamp	No. 12
12	F020014200	Air Trap Hose	
13	201616	Transformer	External supply
14	F8176101P	Overload Contactor	
15	F330177P	Contacto	
16	F330186P	Interlock Contactor	
17	70058501	Pop Rivet	
18	F8200101	DIN Rail	
19	F8411901	Capacitor	50 MFD; 20 pound models Y-voltage, 1 used; 40 pound models Y-voltage, 2 used
	F370221	Capacitor	100 MFD; 20 pound models B-voltage, 1 used
20	F8411701	Capacitor	20 MFD; 30 pound models Y-voltage, 4 used; 40 pound models Y-voltage, 2 used
	F8411801	Capacitor	25 MFD; 20 pound models Y-voltage, 2 used
21	F370218P	Capacitor	160 MFD; 40 pound models Y-voltage, 2 used
	F370220	Capacitor	130 MFD; 20 pound models B-voltage, 2 used; 30 pound models Y-voltage, 1 used
22	F340002	Motor Switch	50 Amp
23	F0340722-00	Switch Clamp	
24	F430232	Nut	
25	F8199601	Capacitor Tray Assembly	20 pound models; B and Y-voltage
	F8199901	Capacitor Tray Assembly	All other models; B and Y-voltage
	F8343401	Contacto	C, F, J and O-voltage
26	F8205901	Control Tray Assembly	
27	F360157P	Transformer	
28	F997P3	Control Kit	HCN, HCZ, SCN, SCZ, UCN and UCZ models
	F998P3	Control Kit	HCL, HCU, SCL, SCU, UCL and UCU models
29	F431017	Nut	
30	F8069501	Contact Switch	
31	F200233401	Contact Block Switch	
32	24205	Nut	
33	F8201301	Emergency Stop Plate	
34	F200233500	Emergency Stop Pushbutton	

Control Module - F and V-Speed Design 1 OPL Models

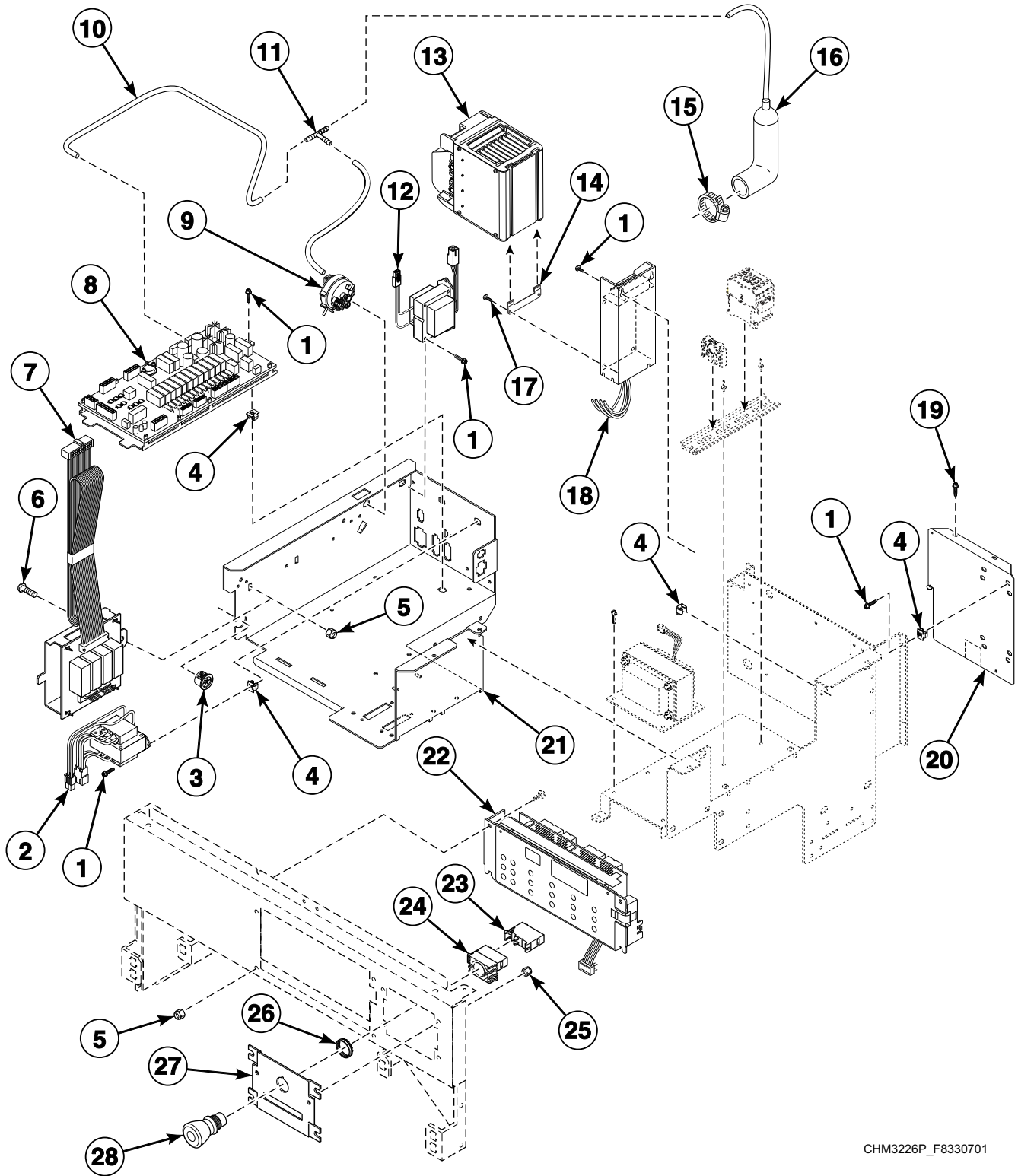


CHM3225P_F8330701

Control Module - F and V-Speed Design 1 OPL Models

REF	PART NO.	DESCRIPTION	COMMENTS
	F8028701	Output/Logic Harness	
	F8060501	Emergency Stop Harness	
	F8028101P	Machine Size Configuration Harness	20 pound models
	F8028103P	Machine Size Configuration Harness	30 pound models
	F8028104P	Machine Size Configuration Harness	40 pound models
	F8028105P	Machine Size Configuration Harness	60 pound models
	F8167901	USB IR Device Assembly	
	F8191201P	External Supply Harness	
	F937P3	External Supply Kit	Includes items 1, 8, 15, F8191201P External Supply Harness and screws
	M413506	Jumper Harness Assembly	208 Volt
	M413507	Jumper Configuration Assembly	240 Volt
1	F8206901	Screw	
2	803527P	Transformer	
3	70030501	Expansion Clip	
4	44071501	Snap Bushing	
5	F430232	Nut	
6	F430903	Screw	
7	F8189401	Auxiliary Control Assembly	
8	F980P3	Control Assembly Kit	Includes item 11 and F8108001 Output Assembly
	802493	Fuse	2.5 Amp
9	F8223001P	Water Pressure Switch	
10	F8153901	Tubing	
11	F8246601	Tee	
12	F200222	Hose Clamp	No. 12
13	F020014200	Air Trap Hose	
14	201616	Transformer	External supply
15	430497	Screw	
16	F8195803	Support Bracket	
17	F8053901P	EMI Filter	200 Volt
	F8053902	EMI Filter	400 Volt
18	F8169401	PowerFlex 40 Drive	20 pound models; Models through 2/28/10; Q and X-voltage
	F8169402	PowerFlex 40 Drive	20 pound models; Models through 2/28/10; N, P and R-voltage
	F8169403	PowerFlex 40 Drive	30 pound models; Models through 2/28/10; Q and X-voltage
	F8169404	PowerFlex 40 Drive	30 pound models; Models through 2/28/10; N, P and R-voltage
	F8169405	PowerFlex 40 Drive	40 pound models; Models through 3/8/10; Q and X-voltage
	F8169406	PowerFlex 40 Drive	40 pound models; Models through 3/8/10; N, P and R-voltage
	F8169407	PowerFlex 40 Drive	60 pound models; Models through 3/8/10; Q and X-voltage
	F8169408	PowerFlex 40 Drive	60 pound models; Models through 3/8/10; N, P and R-voltage
	F8169434	PowerFlex 40 Drive	20 pound models; Models starting 3/1/10; Q and X-voltage
	F8169435	PowerFlex 40 Drive	20 pound models; Models starting 3/1/10; N, P and R-voltage
	F8169436	PowerFlex 40 Drive	30 pound models; Models starting 3/1/10; Q and X-voltage
	F8169437	PowerFlex 40 Drive	30 pound models; Models starting 3/1/10; N, P and R-voltage
	F8169438	PowerFlex 40 Drive	40 pound models; Models starting 3/9/10; Q and X-voltage
	F8169439	PowerFlex 40 Drive	40 pound models; Models starting 3/9/10; N, P and R-voltage
	F8169440	PowerFlex 40 Drive	60 pound models; Models starting 3/9/10; Q and X-voltage
	F8169441	PowerFlex 40 Drive	60 pound models; Models starting 3/9/10; N, P and R-voltage
19	F8205902	Control Tray Assembly	20 and 30 pound models
	F8205903	Control Tray Assembly	40 and 60 pound models
20	F360157P	Transformer	
21	F997P3	Control Kit	HCN and SCN F-speed models
	F998P3	Control Kit	HCL, HCU, SCL, SCU, UCL and UCU F-speed models
22	F431017	Nut	
23	F8069501	Contact Switch	
24	F200233401	Contact Block Switch	
25	24205	Nut	
26	F8201301	Emergency Stop Plate	
27	F200233500	Emergency Stop Pushbutton	

Control Module - F and V-Speed Design 2 OPL Models

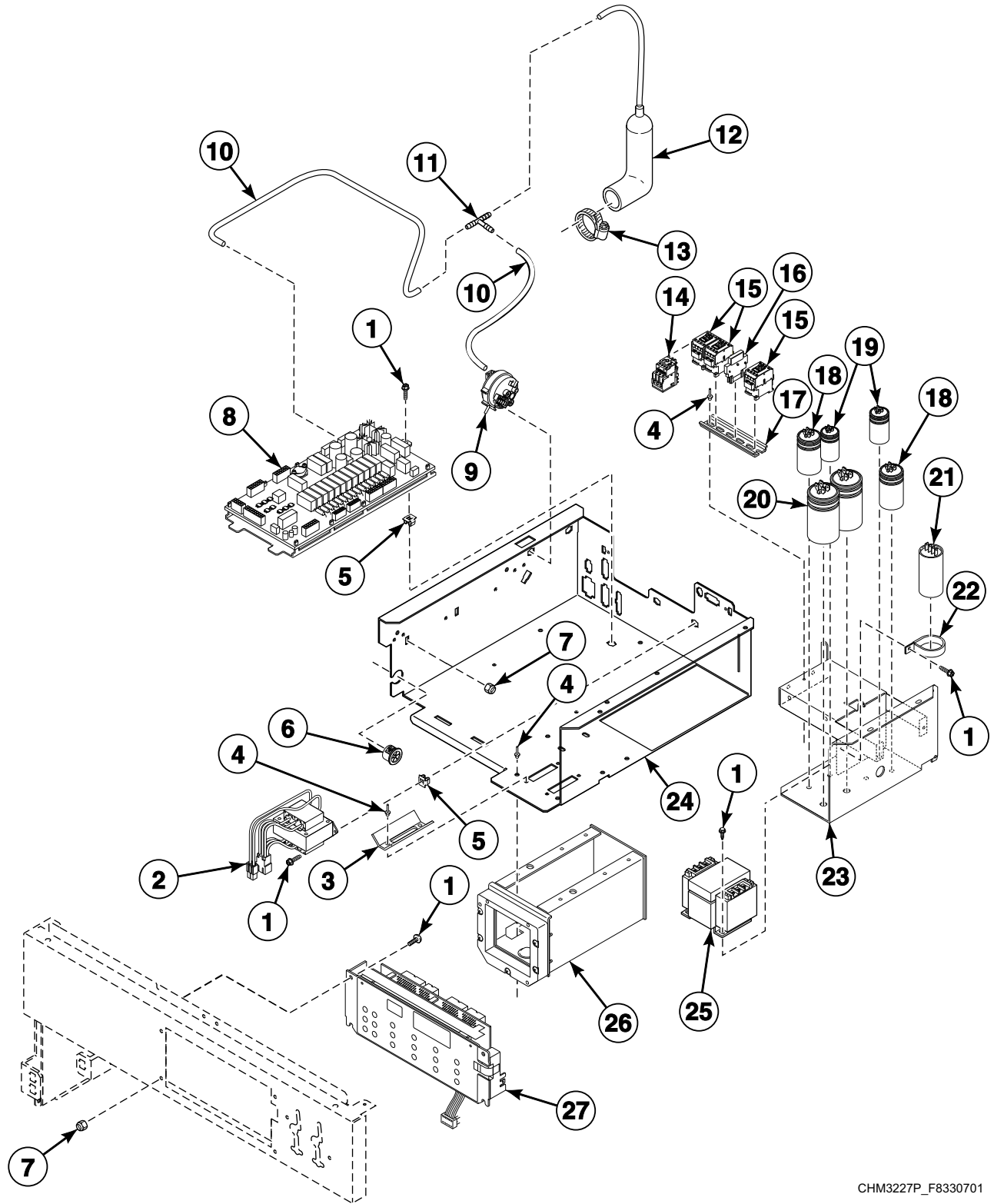


CHM3226P_F8330701

Control Module - F and V-Speed Design 2 OPL Models

REF	PART NO.	DESCRIPTION	COMMENTS
	F8028701	Output/Logic Harness	
	F8060501	Emergency Stop Harness	
	F8028101P	Machine Size Configuration Harness	20 pound models
	F8028103P	Machine Size Configuration Harness	30 pound models
	F8028104P	Machine Size Configuration Harness	40 pound models
	F8028105P	Machine Size Configuration Harness	60 pound models
	F8167901	USB IR Device Assembly	
	F8191201P	External Supply Harness	
	F937P3	External Supply Kit	Includes items 1, 8, 15, F8191201P External Supply Harness and screws
	M413506	Jumper Harness Assembly	208 Volt
	M413507	Jumper Configuration Assembly	240 Volt
1	F8206901	Screw	
2	803527P	Transformer	
3	44071501	Snap Bushing	
4	70030501	Expansion Clip	
5	F430232	Nut	
6	F430903	Screw	
7	F8189401	Auxiliary Control Assembly	
8	F980P3	Control Assembly Kit	Includes item 11 and F8108001 Output Assembly
	802493	Fuse	2.5 Amp
9	F8404401	Water Pressure Switch	
10	F8153901	Tubing	
11	F8246601	Tee	
12	201616	Transformer	External supply
13	F8327301	Drive Assembly	20 , 30 and 40 pound models; B, Q and X-voltage; 2 hp
	F8303601	Drive Assembly	N and P-voltage; 5 hp
	F8204701	Drive Assembly	60 pound models; Q and X-voltage; 5 hp
14	F8322401	Drive Mounting Bracket	
15	F200222	Hose Clamp	No. 12
16	F020014200	Air Trap Hose	
17	503688	Screw	
18	F8053901P	EMI Filter	200 Volt
	F8053902	EMI Filter	400 Volt
19	430497	Screw	
20	F8195803	Support Bracket	
21	F8359701	Control Tray Assembly	20 and 30 pound models
	F8359703	Control Tray Assembly	40 and 60 pound models
22	F120P3	Front End Control Kit	HCN and UCN F-speed models
	F121P3	Front End Control Kit	HCL, HCU, UCL and UCU F-speed models
	F115P3	Front End Control Kit	HCN and UCN V-speed models
	F116P3	Front End Control Kit	HCL, UCL and UCU V-speed models
23	F8069501	Contact Switch	
24	F200233401	Contact Block Switch	
25	F431017	Nut	
26	24205	Nut	
27	F8201301	Emergency Stop Plate	
28	F200233500	Emergency Stop Pushbutton	

Control Module - 2 Speed Coin Models

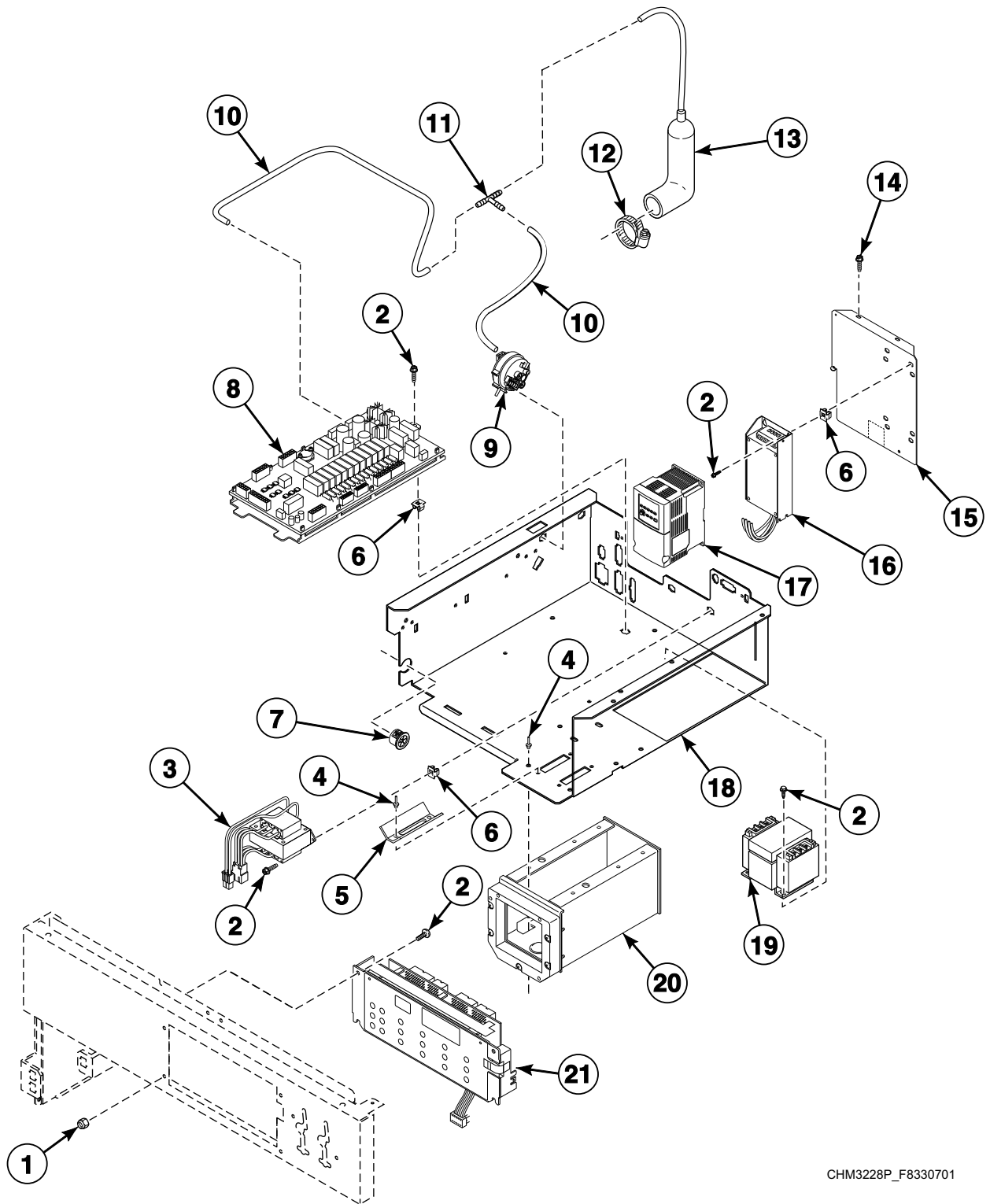


CHM3227P_F8330701

Control Module - 2 Speed Coin Models

REF	PART NO.	DESCRIPTION	COMMENTS
	F8028701	Output/Logic Harness	
	F8028101P	Machine Size Configuration Harness	20 pound models
	F8028103P	Machine Size Configuration Harness	30 pound models
	F8028104P	Machine Size Configuration Harness	40 pound models
	F8028105P	Machine Size Configuration Harness	60 pound models
	F8167901	USB IR Device Assembly	
	M413506	Jumper Harness Assembly	208 Volt
	M413507	Jumper Configuration Assembly	240 Volt
1	F8206901	Screw	
2	803527P	Transformer	
3	F8170801	Coin Chute	
4	70058501	Pop Rivet	
5	70030501	Expansion Clip	
6	44071501	Snap Bushing	
7	F430232	Nut	
8	F980P3	Control Assembly Kit	Includes item 11 and F8108001 Output Assembly
	802493	Fuse	2.5 Amp
9	F8223001P	Water Pressure Switch	
10	F8153901	Tubing	
11	F8246601	Tee	
12	F020014200	Air Trap Hose	
13	F200222	Hose Clamp	No. 12
14	F8176101P	Overload Contactor	
15	F330177P	Contacto	
16	F330186P	Interlock Contactor	
17	F8200101	DIN Rail	
18	F8411901	Capacitor	50 MFD; 20 pound models Y-voltage, 1 used; 40 pound models Y-voltage, 2 used
	F370221	Capacitor	100 MFD; 20 pound models B-voltage, 1 used
19	F8411701	Capacitor	20 MFD; 30 pound models Y-voltage, 4 used; 40 pound models Y-voltage, 2 used
	F8411801	Capacitor	25 MFD; 20 pound models Y-voltage, 2 used
20	F370218P	Capacitor	160 MFD; 40 pound models Y-voltage, 2 used
	F370220	Capacitor	130 MFD; 20 pound models B-voltage, 2 used; 30 pound models Y-voltage, 1 used
21	F340002	Motor Switch	50 Amp
22	F0340722-00	Switch Clamp	
23	F8199601	Capacitor Tray Assembly	20 pound models; B and Y-voltage
	F8199901	Capacitor Tray Assembly	All other models; B and Y-voltage
	F8343401	Contacto	C, F, J and O-voltage
24	F8205902	Control Tray Assembly	20 and 30 pound models; Includes items 3 and 25
	F8205903	Control Tray Assembly	40 and 60 pound models; Includes items 3 and 25
25	F360157P	Transformer	
26	F8182501	Coin Vault Assembly	20 and 30 pound models
	F8182601	Coin Vault Assembly	40 and 60 pound models
27	F996P3	Control Kit	HCL and HCN models

Control Module - F-Speed Design 1 Coin Models

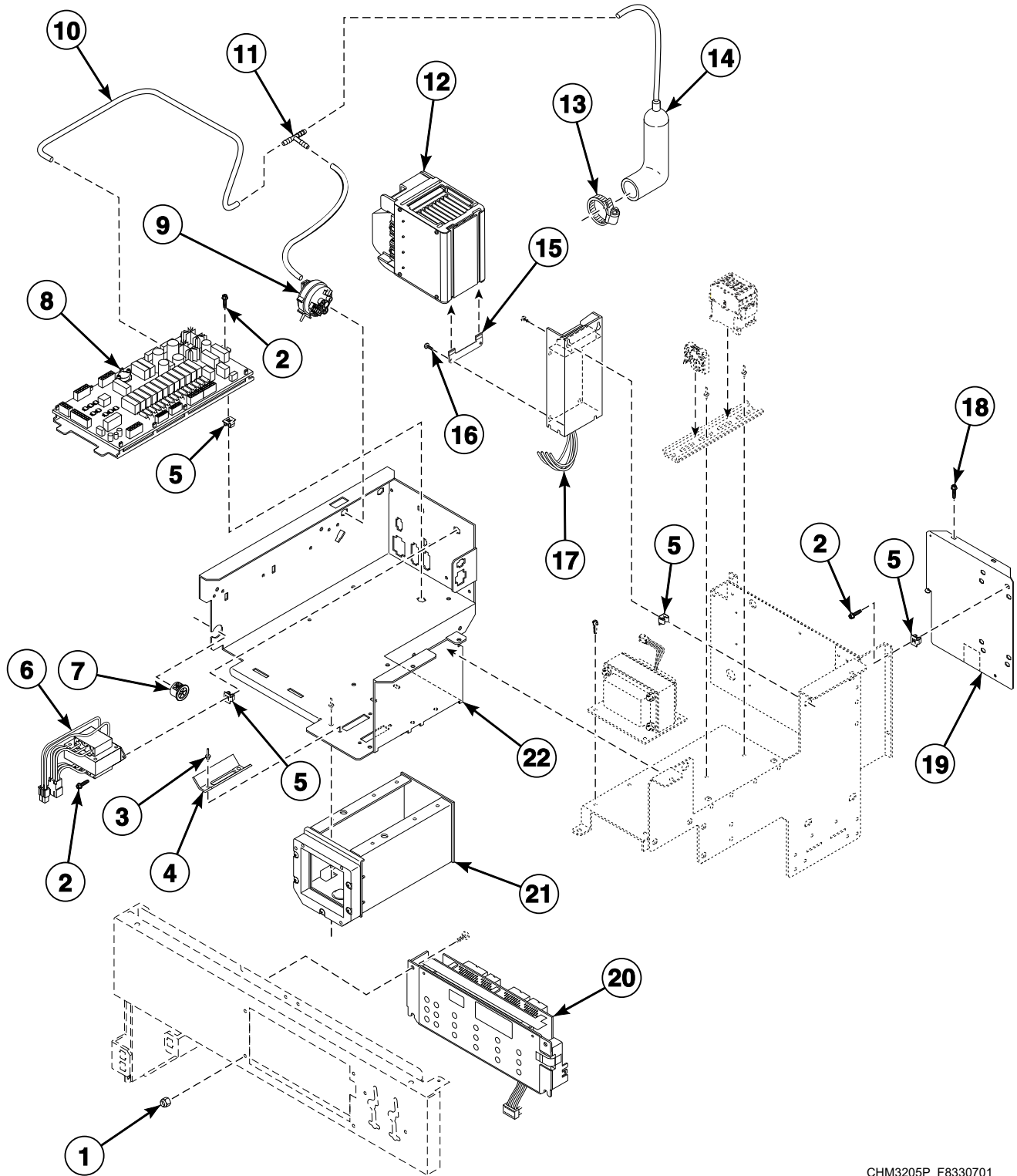


CHM3228P_F8330701

Control Module - F-Speed Design 1 Coin Models

REF	PART NO.	DESCRIPTION	COMMENTS
	F8028701	Output/Logic Harness	
	F8028101P	Machine Size Configuration Harness	20 pound models
	F8028103P	Machine Size Configuration Harness	30 pound models
	F8028104P	Machine Size Configuration Harness	40 pound models
	F8028105P	Machine Size Configuration Harness	60 pound models
	F8167901	USB IR Device Assembly	
	M413506	Jumper Harness Assembly	208 Volt
	M413507	Jumper Configuration Assembly	240 Volt
1	F430232	Nut	
2	F8206901	Screw	
3	803527P	Transformer	
4	70058501	Pop Rivet	
5	F8170801	Coin Chute	
6	70030501	Expansion Clip	
7	44071501	Snap Bushing	
8	F980P3	Control Assembly Kit	Includes item 11 and F8108001 Output Assembly
	802493	Fuse	2.5 Amp
9	F8223001P	Water Pressure Switch	
10	F8153901	Tubing	
11	F8246601	Tee	
12	F200222	Hose Clamp	No. 12
13	F020014200	Air Trap Hose	
14	430497	Screw	
15	F8195803	Support Bracket	
16	F8053901P	EMI Filter	200 Volt
	F8053902	EMI Filter	400 Volt
17	F8169401	PowerFlex 40 Drive	20 pound models; Models through 2/28/10; Q and X-voltage
	F8169402	PowerFlex 40 Drive	20 pound models; Models through 2/28/10; N, P and R-voltage
	F8169403	PowerFlex 40 Drive	30 pound models; Models through 2/28/10; Q and X-voltage
	F8169404	PowerFlex 40 Drive	30 pound models; Models through 2/28/10; N, P and R-voltage
	F8169405	PowerFlex 40 Drive	40 pound models; Models through 3/8/10; Q and X-voltage
	F8169406	PowerFlex 40 Drive	40 pound models; Models through 3/8/10; N, P and R-voltage
	F8169407	PowerFlex 40 Drive	60 pound models; Models through 3/8/10; Q and X-voltage
	F8169408	PowerFlex 40 Drive	60 pound models; Models through 3/8/10; N, P and R-voltage
	F8169434	PowerFlex 40 Drive	20 pound models; Models starting 3/1/10; Q and X-voltage
	F8169435	PowerFlex 40 Drive	20 pound models; Models starting 3/1/10; N, P and R-voltage
	F8169436	PowerFlex 40 Drive	30 pound models; Models starting 3/1/10; Q and X-voltage
	F8169437	PowerFlex 40 Drive	30 pound models; Models starting 3/1/10; N, P and R-voltage
	F8169438	PowerFlex 40 Drive	40 pound models; Models starting 3/9/10; Q and X-voltage
	F8169439	PowerFlex 40 Drive	40 pound models; Models starting 3/9/10; N, P and R-voltage
	F8169440	PowerFlex 40 Drive	60 pound models; Models starting 3/9/10; Q and X-voltage
	F8169441	PowerFlex 40 Drive	60 pound models; Models starting 3/9/10; N, P and R-voltage
18	F8205902	Control Tray Assembly	20 and 30 pound models; Includes items 5 and 19
	F8205903	Control Tray Assembly	40 and 60 pound models; Includes items 5 and 19
19	F360157P	Transformer	
20	F8182501	Coin Vault Assembly	20 and 30 pound models
	F8182601	Coin Vault Assembly	40 and 60 pound models
21	F996P3	Control Kit	

Control Module - F-Speed Design 2 Coin Models

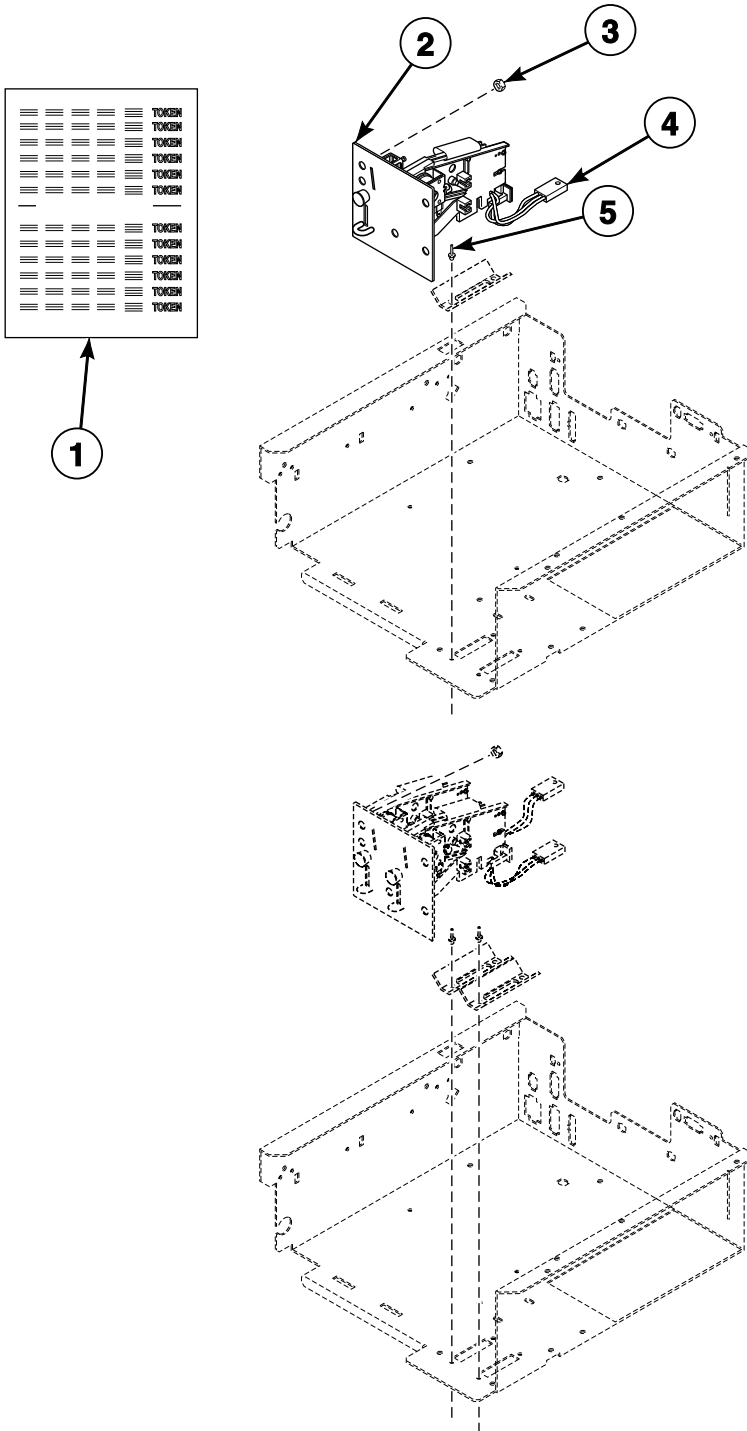


CHM3205P_F8330701

Control Module - F-Speed Design 2 Coin Models

REF	PART NO.	DESCRIPTION	COMMENTS
	F8028701	Output/Logic Harness	
	F8028101P	Machine Size Configuration Harness	20 pound models
	F8028103P	Machine Size Configuration Harness	30 pound models
	F8028104P	Machine Size Configuration Harness	40 pound models
	F8028105P	Machine Size Configuration Harness	60 pound models
	F8167901	USB IR Device Assembly	
	M413506	Jumper Harness Assembly	208 Volt
	M413507	Jumper Configuration Assembly	240 Volt
1	F430232	Nut	
2	F8206901	Screw	
3	70058501	Pop Rivet	
4	F8170801	Coin Chute	
5	70030501	Expansion Clip	
6	803527P	Transformer	
	210019P	Transformer Kit	Includes 803527P Transformer
7	44071501	Snap Bushing	
8	F980P3	Control Assembly Kit	Includes item 11 and F8108001 Output Assembly
9	F8404401	Water Pressure Switch	
10	F8153901	Tubing	
11	F8246601	Tee	
12	F8327301	Drive Assembly	20 , 30 and 40 pound models; B, Q and X-voltage; 2 hp
	F8303601	Drive Assembly	N and P-voltage; 5 hp
	F8204701	Drive Assembly	60 pound models; Q and X-voltage; 5 hp
13	F200222	Hose Clamp	No. 12
14	F020014200	Air Trap Hose	
15	F8322401	Drive Mounting Bracket	
16	503688	Screw	
17	F8053901P	EMI Filter	200 Volt
	F8053902	EMI Filter	400 Volt
18	430497	Screw	
19	F8195803	Support Bracket	
20	F118P3	Front End Control Kit	
21	F8182501	Coin Vault Assembly	20 and 30 pound models
	F8182601	Coin Vault Assembly	40 and 60 pound models
22	F8359702	Control Tray Assembly	20 and 30 pound models; Includes items 4 and 21
	F8359704	Control Tray Assembly	40 and 60 pound models; Includes items 4 and 21

Flush Mount Coin Meter Assembly (Drawing 1 of 2)



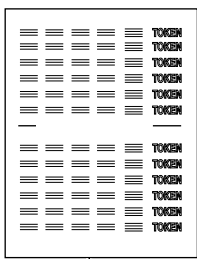
CHM3088P_F8330701

Flush Mount Coin Meter Assembly (Drawing 1 of 2)

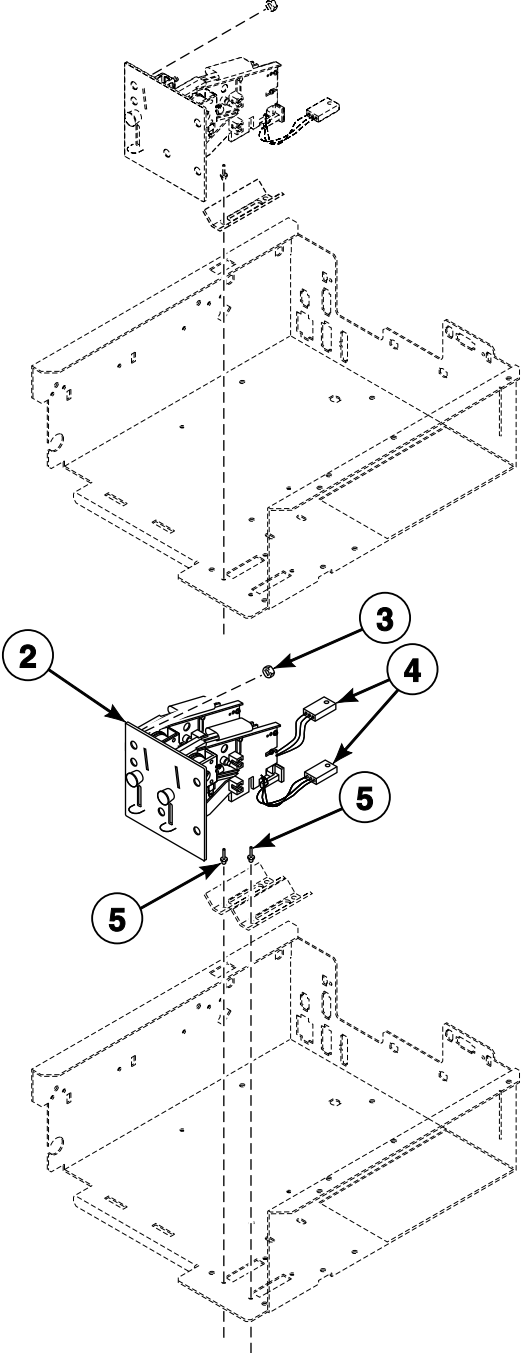
REF	PART NO.	DESCRIPTION	COMMENTS
	F200010000P	Coin Meter Assembly	Single drop; U.S. \$.25; Includes items 2 and 3
	F200010006	Coin Meter Assembly	Single drop; .800 token; Includes items 2 and 3
	F200010007	Coin Meter Assembly	Single drop; .880 token; Includes items 2 and 3
	F200010009	Coin Meter Assembly	Single drop; .990 token; Includes items 2 and 3
	F200010011	Coin Meter Assembly	Single drop; Jeton WH121 token; Includes items 2 and 3
	F200010012	Coin Meter Assembly	Single drop; Jeton .08 token; Includes items 2 and 3
1	38725	Coin Identification Paper	
2	38464P	Coin Drop Assembly	Single drop; Canada .25
	N/A	Coin Drop Assembly	Single drop; Australia .20
	N/A	Coin Drop Assembly	Single drop; Belgium 5 franc
	N/A	Coin Drop Assembly	Single drop; Denmark 2 krone
	N/A	Coin Drop Assembly	Single drop; United Kingdom 20 pence
	N/A	Coin Drop Assembly	Single drop; France 2 franc
	N/A	Coin Drop Assembly	Single drop; Hong Kong 5 dollar
	N/A	Coin Drop Assembly	Single drop; Italy 500 lirraiget
	N/A	Coin Drop Assembly	Single drop; Japan 100 yen
	N/A	Coin Drop Assembly	Single drop; Korea 500 won
	N/A	Coin Drop Assembly	Single drop; South Africa 2 rand
	N/A	Coin Drop Assembly	Single drop; Spain 100 peseta
	N/A	Coin Drop Assembly	Single drop; Thailand 10 baht
	N/A	Coin Drop Assembly	Single drop; .886 token
	N/A	Coin Drop Assembly	Single drop; 1.000 token
	N/A	Coin Drop Assembly	Single drop; Jeton 08 token
	70441601P	Coin Drop	Single drop; U.S. \$.25
	N/A	Coin Drop Assembly	Single drop; .800 token
	38462P	Coin Drop Assembly	Single drop; .880 token
	38463	Coin Drop Assembly	Single drop; .990 token
	N/A	Coin Drop Assembly	Single drop; Jeton WH121 token
	N/A	Coin Meter	Single drop; Jeton .08 token
3	685846	Nut	Single drop
4	200674P	Opto Coupler	
5	70058501	Pop Rivet	Single drop

N/A = Part no longer available

Flush Mount Coin Meter Assembly (Drawing 2 of 2)



1



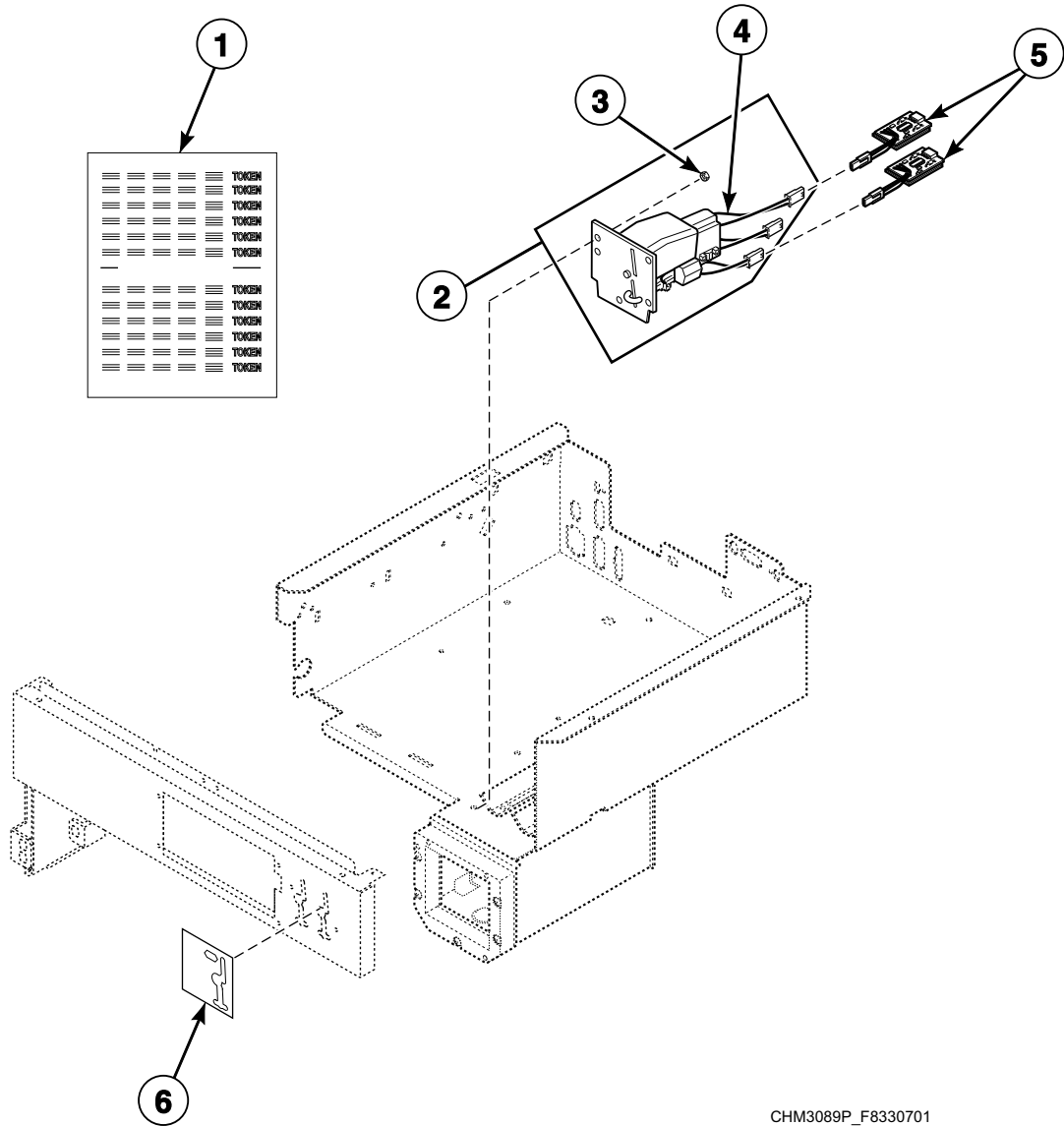
CHM3088PA_F8330701

Flush Mount Coin Meter Assembly (Drawing 2 of 2)

REF	PART NO.	DESCRIPTION	COMMENTS
	F200010001	Coin Meter Assembly	Dual drop; Australia .20 and 1.00; Includes items 2 and 3
	F200010002	Coin Meter Assembly	Dual drop; 100 and 500 yen; Includes items 2 and 3
	F200010003	Coin Meter Assembly	Dual drop; Canada .25 and 1.00; Includes items 2 and 3
	F200010004	Coin Meter Assembly	Dual drop; New Zealand .20 and 1.00; Includes items 2 and 3
	F200010005	Coin Meter Assembly	Dual drop; U.S. \$.25 and \$1.00; Includes items 2 and 3
	F200010008	Coin Meter Assembly	Dual drop; .50 and 2.00 euro; Includes items 2 and 3
	F200010010	Coin Meter Assembly	Dual drop; 10 and 50 Taiwan; Includes items 2 and 3
1	38725	Coin Identification Paper	
2	N/A	Coin Meter	Dual drop; 10 and 50 Taiwan
	N/A	Coin Meter	Dual drop; Belgium 5 and 20 franc
	N/A	Coin Meter	Dual drop; Denmark 1 and 5 krone
	N/A	Coin Meter	Dual drop; Denmark 5 and 10 krone
	38472	Coin Drop Assembly	Dual drop; United Kingdom 20 pence and 1 pound
	N/A	Coin Meter	Dual drop; .20 and .50 euro
	210195	Coin Drop Assembly	Dual drop; .20 and 1.00 euro
	210196	Coin Drop Assembly	Dual drop; .50 and 1.00 euro
	N/A	Coin Meter	Dual drop; 2 and 5 franc
	N/A	Coin Meter	Dual drop; 2 and 10 franc
	39157	Coin Drop Assembly	Dual drop; Israel 1 and 5 shekel
	38521	Coin Drop Assembly	Dual drop; Korea 100 and 500 won
	N/A	Coin Meter	Dual drop; Spain 100 and 500 peseta
	N/A	Coin Drop Assembly	Dual drop; Australia .20 and 1.00
	N/A	Coin Drop Assembly	Dual drop; Japan 100 and 500 yen
	N/A	Coin Drop Assembly	Dual drop; Canada .25 and 1.00
	N/A	Coin Drop Assembly	Dual drop; New Zealand .20 and 1.00
	70256402P	Coin Drop	Dual drop; U.S. \$.25 and \$1.00
	F0160737-00	Coin Meter	Dual drop; .50 and 2.00 euro
	70281102	Coin Drop Assembly	Dual drop; Taiwan 10 and 50 dollar
	N/A	Coin Meter	Dual drop; Taiwan 5 and 10 dollar
3	685846	Nut	Single drop
4	200674P	Opto Coupler	
5	70058501	Pop Rivet	Single drop

N/A = Part no longer available

Electronic Coin Meter Assembly

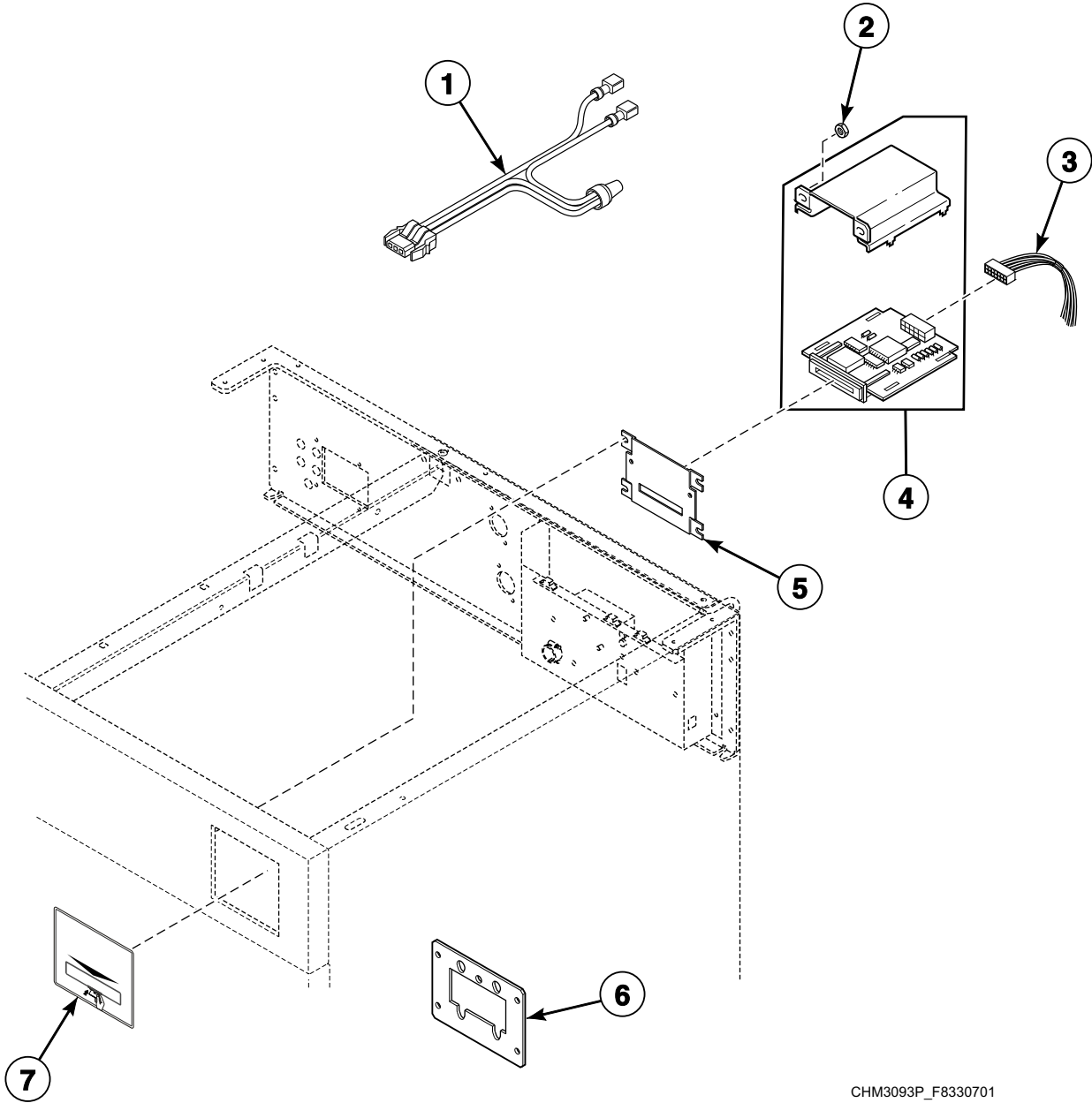


CHM3089P_F8330701

Electronic Coin Meter Assembly

REF	PART NO.	DESCRIPTION	COMMENTS
	CK500	Electronic Coin Drop Kit	Includes item 2
1	38725	Coin Identification Paper	
2	F200021600P	Coin Meter Assembly	U.S., Canada, Japan and Taiwan; Includes items 3 and 4; Requires CK500 Electronic Coin Drop Kit for installation
	F200021601	Coin Meter Assembly	Australia, New Zealand, Hong Kong, South Korea and Malaysia; Includes items 3 and 4; Requires CK500 Electronic Coin Drop Kit for installation
	F200021602	Coin Meter Assembly	United Kingdom and euro; Includes items 3 and 4; Requires CK500 Electronic Coin Drop Kit for installation
	F200021603	Coin Meter Assembly	Denmark, Norway and euro; Includes items 3 and 4; Requires CK500 Electronic Coin Drop Kit for installation
	F200021604	Coin Meter Assembly	U.S., Mexico and Ecuador; Includes items 3 and 4; Requires CK500 Electronic Coin Drop Kit for installation
	F200021605	Coin Meter Assembly	Euro, Latvia and Lithuania; Includes items 3 and 4; Requires CK500 Electronic Coin Drop Kit for installation
	F8238601	Coin Meter Assembly	China, Russia and Malaysia; Includes items 3 and 4; Requires CK500 Electronic Coin Drop Kit for installation
3	685846	Nut	
4	CK115	Electronic Coin Drop Kit	U.S. and Canada; Includes item 1; Requires CK500 Electronic Coin Drop Kit for installation
	CK113	Electronic Coin Drop Kit	Japan and Taiwan; Includes item 1; Requires CK500 Electronic Coin Drop Kit for installation
	70294105P	Electronic Coin Drop Assembly	Australia, New Zealand, Hong Kong, South Korea and Malaysia
	CK099	Electronic Coin Drop Kit	Australia, New Zealand, Hong Kong, South Korea and Malaysia; Includes item 1; Requires CK500 Electronic Coin Drop Kit for installation
	70294103P	Electronic Coin Drop Assembly	United Kingdom and euro
	CK100	Electronic Coin Drop Kit	United Kingdom and euro; Includes item 1; Requires CK500 Electronic Coin Drop Kit for installation
	70294104	Electronic Coin Drop Assembly	Denmark, Norway and euro
	CK101	Electronic Coin Drop Kit	Denmark, Norway and euro; Includes item 1; Requires CK500 Electronic Coin Drop Kit for installation
	70294106	Electronic Coin Drop Assembly	U.S., Mexico and Ecuador
	CK110	Electronic Coin Drop Kit	U.S., Mexico and Ecuador; Includes item 1; Requires CK500 Electronic Coin Drop Kit for installation
	70294107	Electronic Coin Drop Assembly	Euro, Latvia and Lithuania
	CK103	Electronic Coin Drop Kit	Euro, Latvia and Lithuania; Includes item 1; Requires CK500 Electronic Coin Drop Kit for installation
	70294109	Electronic Coin Drop Assembly	Singapore, China, Russia and Malaysia
	CK106	Electronic Coin Drop Kit	Singapore, China, Russia and Malaysia; Includes item 1; Requires CK500 Electronic Coin Drop Kit for installation
	70294111	Electronic Coin Drop Assembly	Euro
	CK109	Electronic Coin Drop Kit	Euro; Includes item 1; Requires CK500 Electronic Coin Drop Kit for installation
	70294119	Electronic Coin Drop Assembly	Thailand
	CK119	Electronic Coin Drop Kit	Thailand; Includes item 1; Requires CK500 Electronic Coin Drop Kit for installation
5	F8034701P	Pulse Expander Assembly	
6	70295301	Overlay	Gray

Card Reader - HY Models

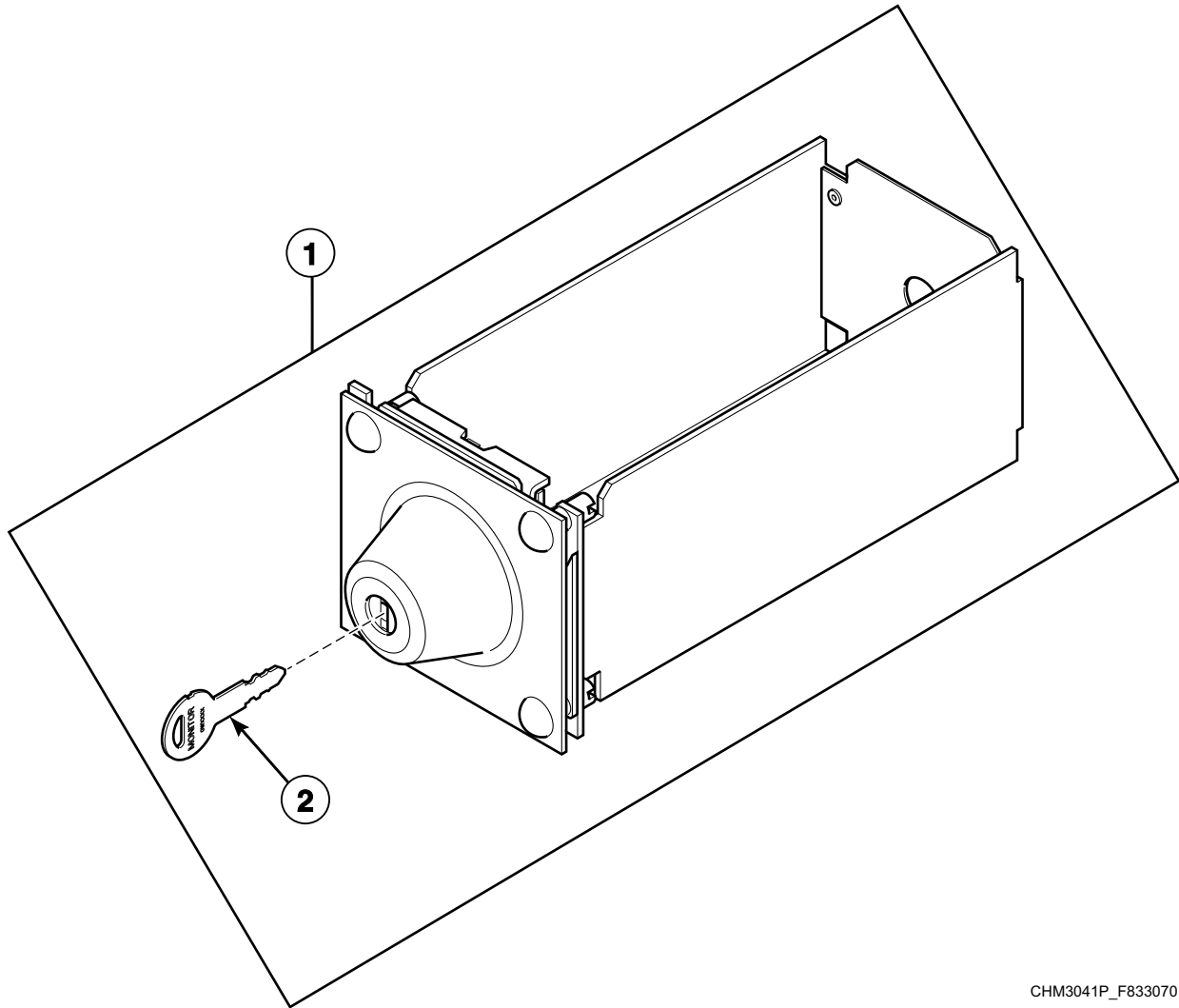


CHM3093P_F8330701

Card Reader - HY Models

REF	PART NO.	DESCRIPTION	COMMENTS
1	F631973-2	Harness	Access
2	F430174	Screw	
3	F141887	Card Reader Harness	
4	510068P	Card Reader and Bracket Assembly	
5	F8201501	Card Plate Assembly	
6	70208801	Mounting Plate	
7	70334301	Card Reader Overlay	

Optional Coin Box

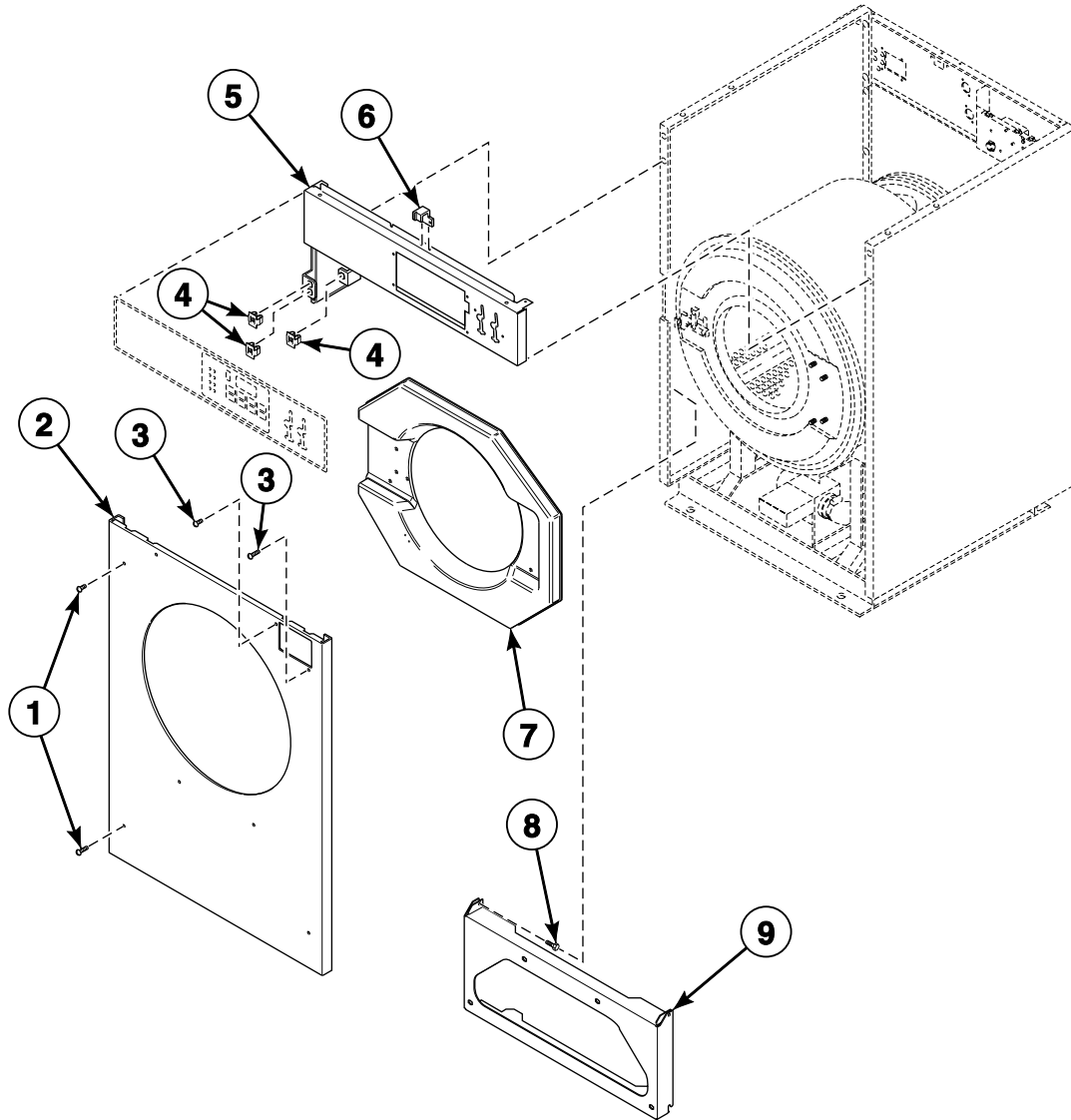


CHM3041P_F8330701

Optional Coin Box

REF	PART NO.	DESCRIPTION	COMMENTS
1	F160672	Coin Box	20 and 30 pound models; GW0023
	F8182001	Coin Drawer Assembly	40 and 60 pound models
2	F160420	Key	GW0023

Front Panels and Control Panel - Coin Models

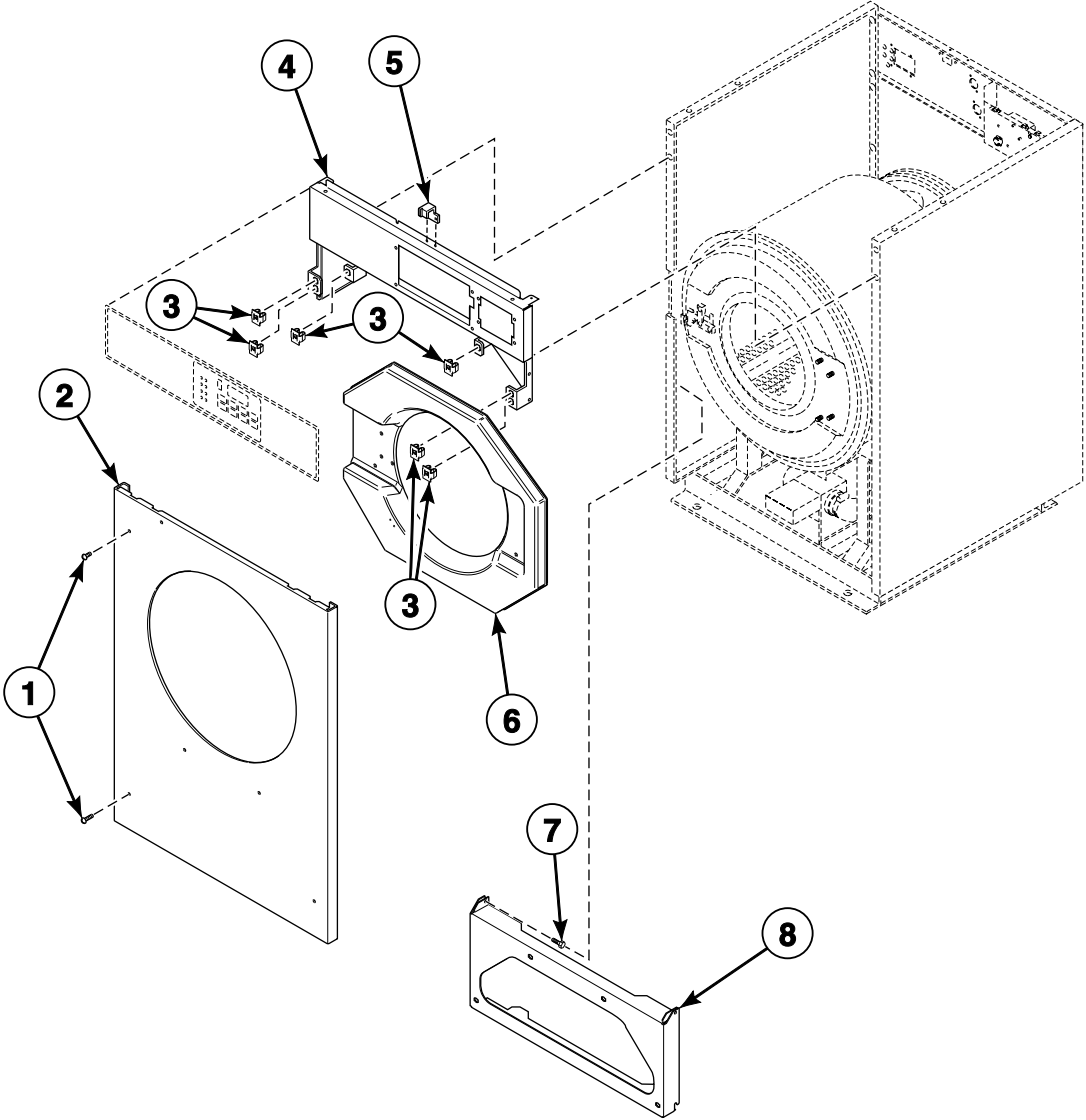


CHM3196P_F8330701

Front Panels and Control Panel - Coin Models

REF	PART NO.	DESCRIPTION	COMMENTS
1	F8117601	Screw	
2	F8171301	Front Panel	20 pound models; Stainless steel
	F8173001	Front Panel	30 pound models; Stainless steel
	F8173101P	Front Panel	40 pound models; Stainless steel
	F8173201P	Front Panel	60 pound models; Stainless steel
3	801019	Screw	
4	70030501	Expansion Clip	
5	F8038502	Control Panel Assembly	20 pound models
	F8038602	Control Panel Assembly	30 pound models
	F8038702	Control Panel Assembly	40 pound models
	F8038802	Control Panel Assembly	60 pound models
6	F8201001	Top Cover Latch	
7	F170416-1	Door Bezel	Black
	F170416-2	Door Bezel	20 pound models; Pantone 403; Models through 1/10/10
	F170416-3	Door Bezel	20 pound models; Gray; Models starting 1/11/10
	F170417-1	Door Bezel	Black
	F170417-3	Door Bezel	30 pound models; Gray
	F0170426-00	Door Bezel	Black
	F0170426-10	Door Bezel	40 and 60 pound models; Pantone 403; Models through 1/10/10
	F0170426-30	Door Bezel	40 and 60 pound models; Gray; Models starting 1/11/10
8	F430174	Screw	
9	F8173801	Front Cabinet Brace	20 pound models
	F8173901	Front Cabinet Brace	30 pound models
	F8174001	Front Cabinet Brace	40 pound models
	F8174101	Lower Cabinet Brace	60 pound models

Front Panel and Control Panel - Card Reader and OPL Models

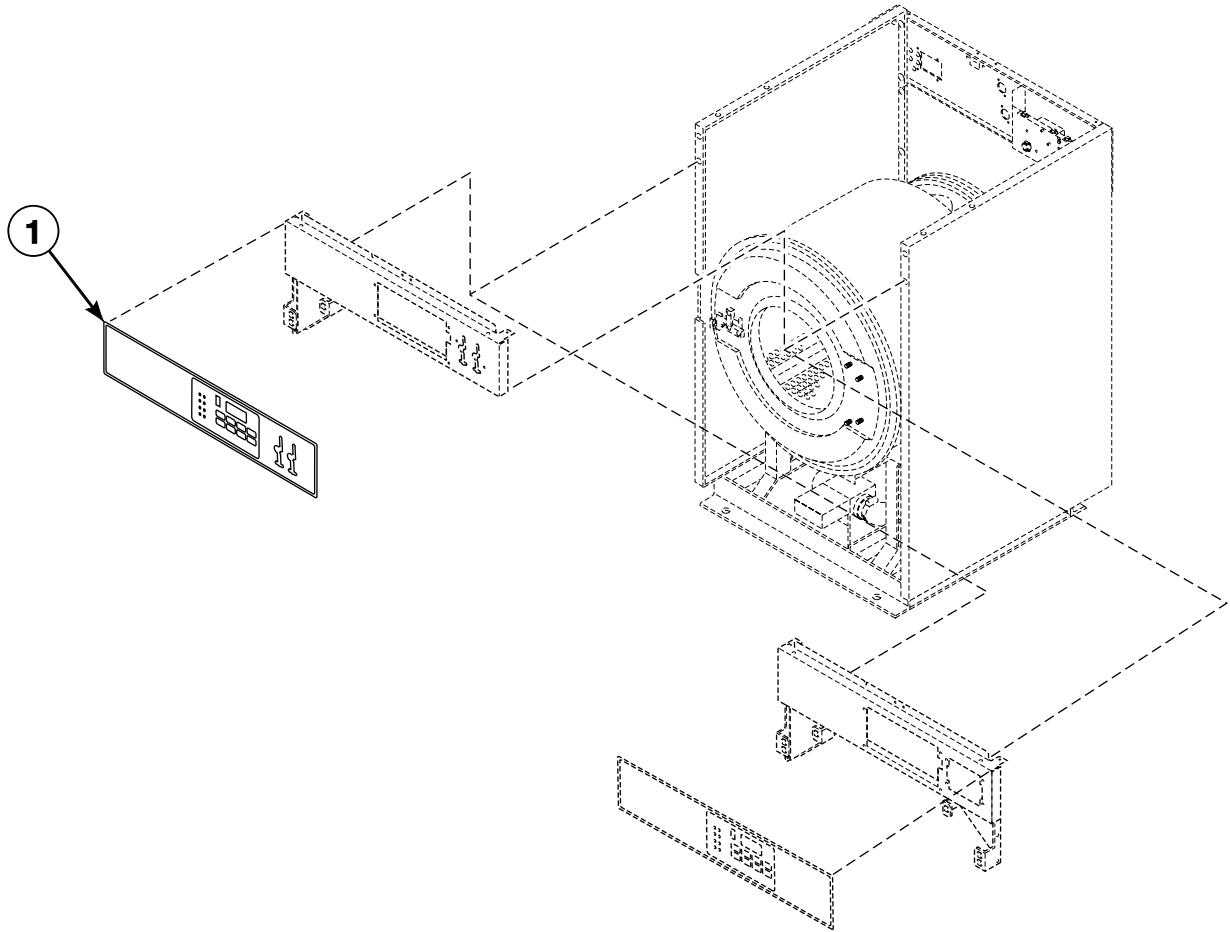


CHM3197P_F8330701

Front Panel and Control Panel - Card Reader and OPL Models

REF	PART NO.	DESCRIPTION	COMMENTS
1	F8117601	Screw	
2	F8171302P	Front Panel	20 pound models; Stainless steel
	F8173002P	Front Panel	30 pound models; Stainless steel
	F8173102P	Front Panel	40 pound models; Stainless steel
	F8173202P	Front Panel	60 pound models; Stainless steel
3	70030501	Expansion Clip	
4	F8038504	Control Panel Assembly	20 pound models
	F8038604	Control Panel Assembly	30 pound models
	F8038704	Control Panel Assembly	40 pound models
	F8038804	Control Panel Assembly	60 pound models
5	F8201001	Top Cover Latch	
6	F170416-1	Door Bezel	SCL, SCN, SCU, UCL, UCN and UCU 20 pound models; Black
	F170416-2	Door Bezel	HCL, HCN, HCU and HCZ 20 pound models; Pantone 403; Models through 1/10/10
	F170416-3	Door Bezel	HCL, HCN, HCU and HCZ 20 pound models; Gray; Models starting 1/11/10
	F170417-1	Door Bezel	SCL, SCN, SCU, UCL, UCN and UCU 30 pound models; Black
	F170417-3	Door Bezel	HCL, HCN and HCU 30 pound models; Gray
	F0170426-00	Door Bezel	SCL, SCN, SCU, UCL, UCN and UCU 40 and 60 pound models; Black
	F0170426-10	Door Bezel	HCL, HCN and HCU 40 and 60 pound models; Pantone 403; Models through 1/10/10
	F0170426-30	Door Bezel	HCL, HCN and HCU 40 and 60 pound models; Gray; Models starting 1/11/10
7	F430174	Screw	
8	F8173801	Front Cabinet Brace	20 pound models
	F8173901	Front Cabinet Brace	30 pound models
	F8174001	Front Cabinet Brace	40 pound models
	F8174101	Lower Cabinet Brace	60 pound models

Control Panel Overlays - Coin and Card Models

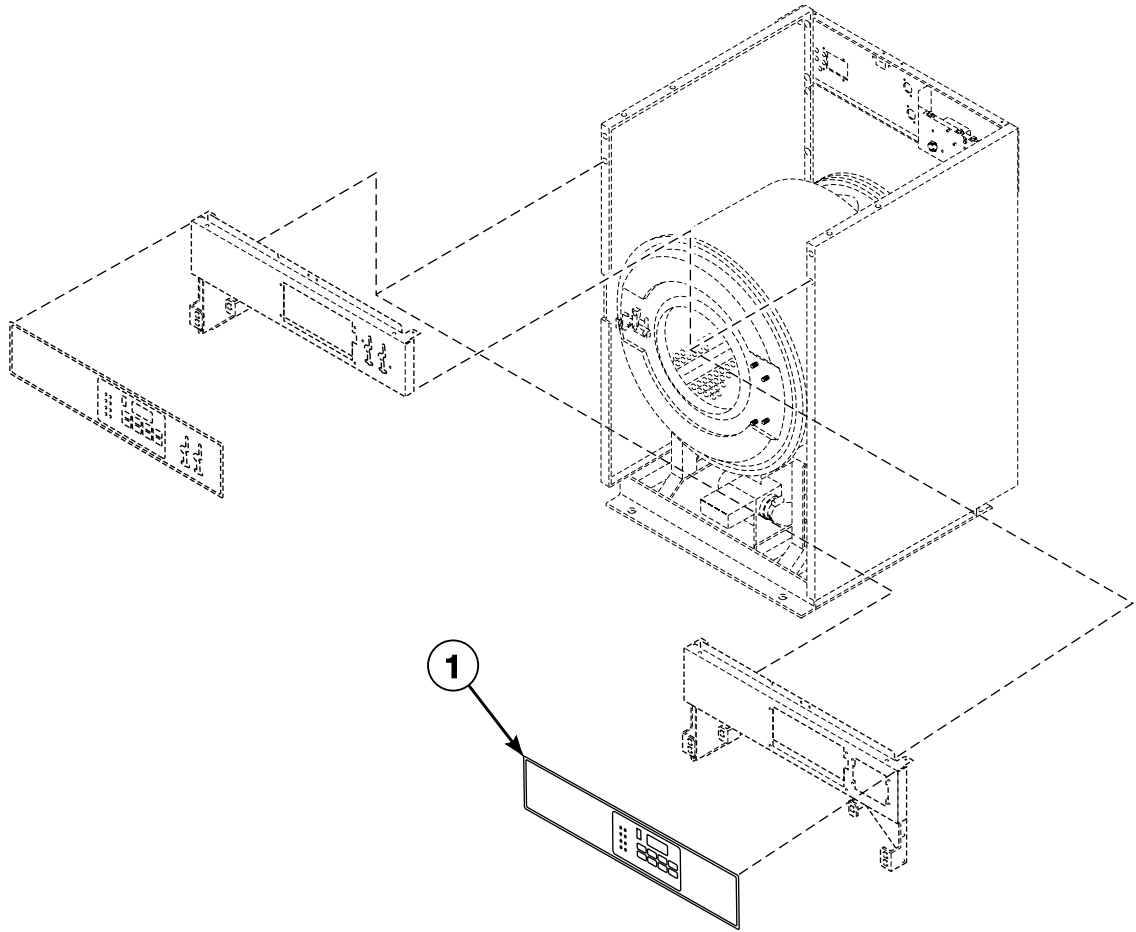


CHM3124P_F8330701

Control Panel Overlays - Coin and Card Models

REF	PART NO.	DESCRIPTION	COMMENTS
1	F8294001	Control Panel Overlay	20 pound Design 1 models; Single coin drop
	F8294002	Control Panel Overlay	20 pound Design 1 models; Dual coin drop
	F8294003	Control Panel Overlay	20 pound Design 1 models; Card ready
	F8294101	Control Panel Overlay	30 pound Design 1 models; Single coin drop
	F8294102	Control Panel Overlay	30 pound Design 1 models; Dual coin drop
	F8294103	Control Panel Overlay	30 pound Design 1 models; Card ready
	F8294201	Control Panel Overlay	40 pound Design 1 models; Single coin drop
	F8294202	Control Panel Overlay	40 pound Design 1 models; Dual coin drop
	F8294203	Control Panel Overlay	40 pound Design 1 models; Card ready
	F8294301	Control Panel Overlay	60 pound Design 1 models; Single coin drop
	F8294302	Control Panel Overlay	60 pound Design 1 models; Dual coin drop
	F8294303	Control Panel Overlay	60 pound Design 1 models; Card ready
	F8443901	Control Panel Overlay	20 pound Design 2 models; Single coin drop
	F8443902	Control Panel Overlay	20 pound Design 2 models; Dual coin drop
	F8443903	Control Panel Overlay	20 pound Design 2 models; Card ready
	F8444001	Control Panel Overlay	30 pound Design 2 models; Single coin drop
	F8444002	Control Panel Overlay	30 pound Design 2 models; Dual coin drop
	F8444003	Control Panel Overlay	30 pound Design 2 models; Card ready
	F8444101	Control Panel Overlay	40 pound Design 2 models; Single coin drop
	F8444102	Control Panel Overlay	40 pound Design 2 models; Dual coin drop
	F8444103	Control Panel Overlay	40 pound Design 2 models; Card ready
	F8444201	Control Panel Overlay	60 pound Design 2 models; Single coin drop
	F8444202	Control Panel Overlay	60 pound Design 2 models; Dual coin drop
	F8444203	Control Panel Overlay	60 pound Design 2 models; Card ready

Control Panel Overlays - OPL Models

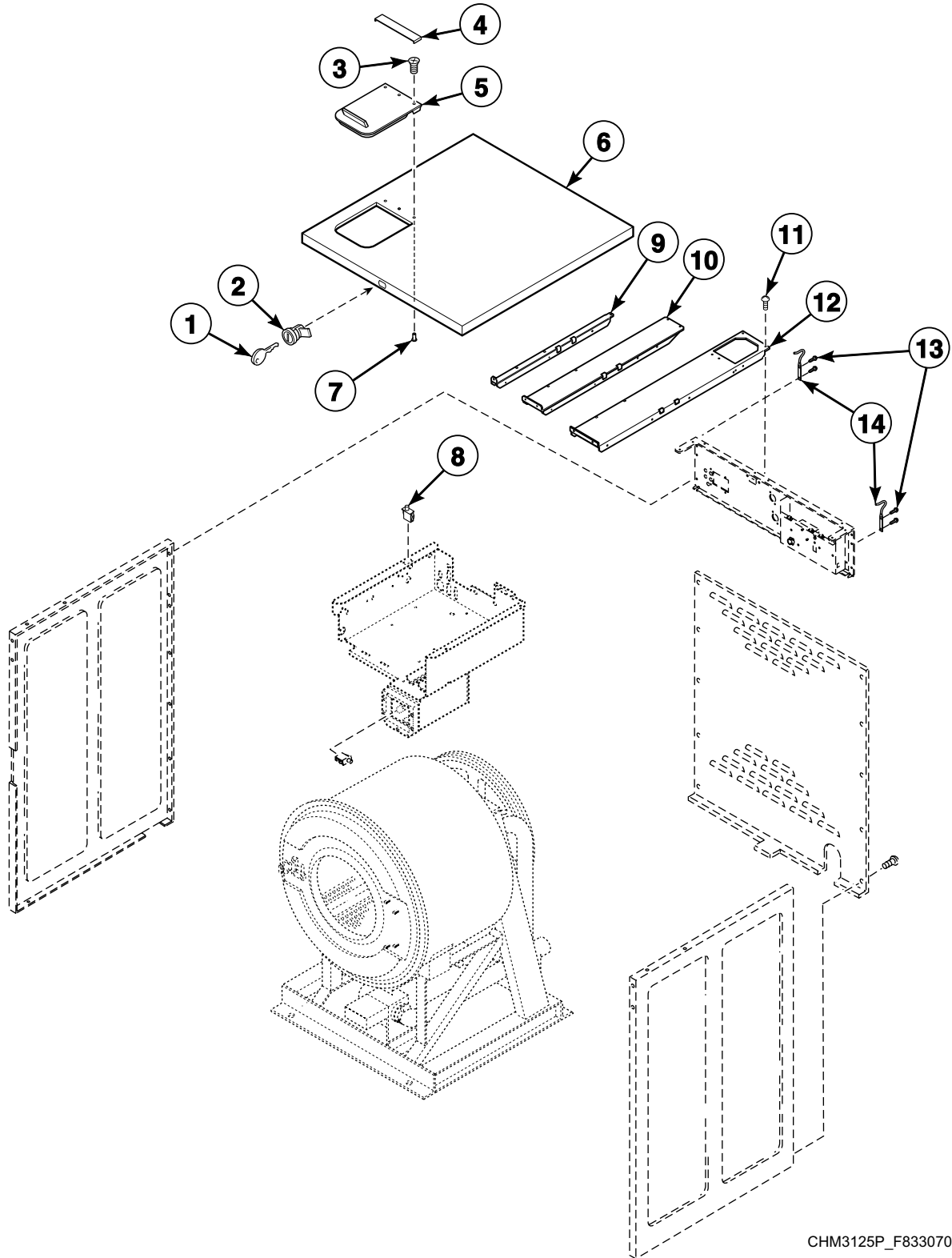


CHM3124PA_F8330701

Control Panel Overlays - OPL Models

REF	PART NO.	DESCRIPTION	COMMENTS
1	F8224301	Control Panel Overlay	HCL, HCN, HCU and HCZ 20 pound Design 1 models
	F8224401	Control Panel Overlay	HCL, HCN and HCU 30 pound Design 1 models
	F8224501	Control Panel Overlay	HCL, HCN and HCU 40 pound Design 1 models
	F8224601	Control Panel Overlay	HCL, HCN and HCU 60 pound Design 1 models
	F8443701	Control Panel Overlay	HCL, HCN and HCU Design 2 models
	F8294501	Control Panel Overlay	SCL, SCN, SCU and SCZ 20 pound models
	F8294601	Control Panel Overlay	SCL, SCN and SCU 30 pound models
	F8294701	Control Panel Overlay	SCL, SCN and SCU 40 pound models
	F8294801	Control Panel Overlay	SCL, SCN and SCU 60 pound models
	F8224801	Control Panel Overlay	UCL, UCN and UCU 20 pound models
	F8224901	Control Panel Overlay	UCL, UCN, UCU and UCZ 30 pound models
	F8225001	Control Panel Overlay	UCL, UCN and UCU 40 pound models
	F8225101	Control Panel Overlay	UCL, UCN and UCU 60 pound models

Panels (Drawing 1 of 2)

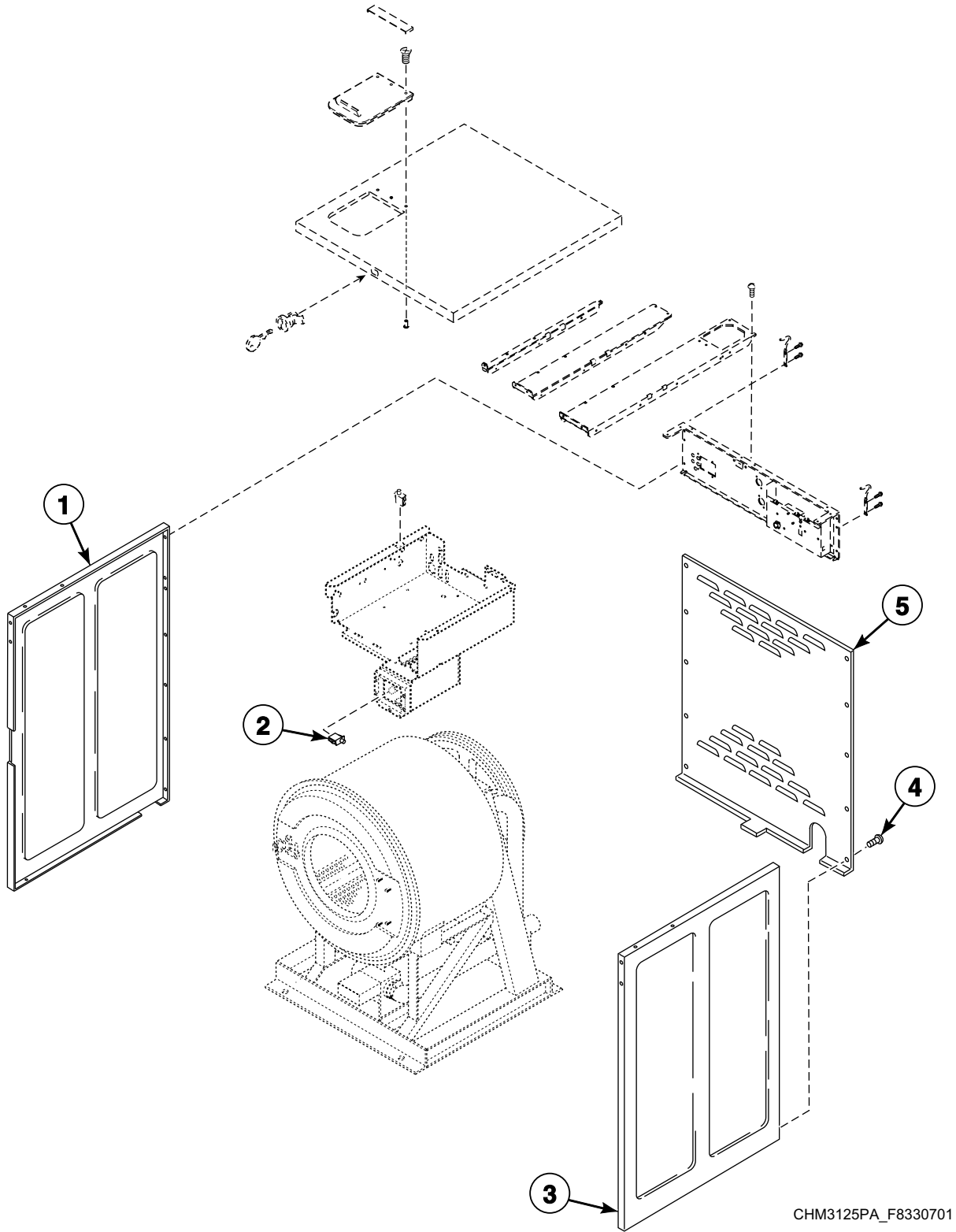


CHM3125P_F8330701

Panels (Drawing 1 of 2)

REF	PART NO.	DESCRIPTION	COMMENTS
1	70155603	Key	RL003
2	44089303P	Panel Lock	
3	F8230601	Screw	
4	F8091701	Lid Clamp	
5	F8048101	Dispenser Lid	Gray
6	F8040201	Top Cover	20 pound models
	F8017401	Top Cover	30 pound models
	F8040301	Top Cover	40 pound models
	F8040401P	Top Cover	60 pound models
7	F8230501	Bolt	
8	70107001	Pushbutton Switch	
9	F8043501	Top Cabinet Brace	20 pound models
10	F8043701	Top Cabinet Brace	30 pound models
11	F430174	Screw	
12	F8043801	Top Cabinet Brace	40 pound models
	F8043901	Top Cabinet Brace	60 pound models
13	F8206901	Screw	
14	F8258601	Top Cover Hinge	

Panels (Drawing 2 of 2)

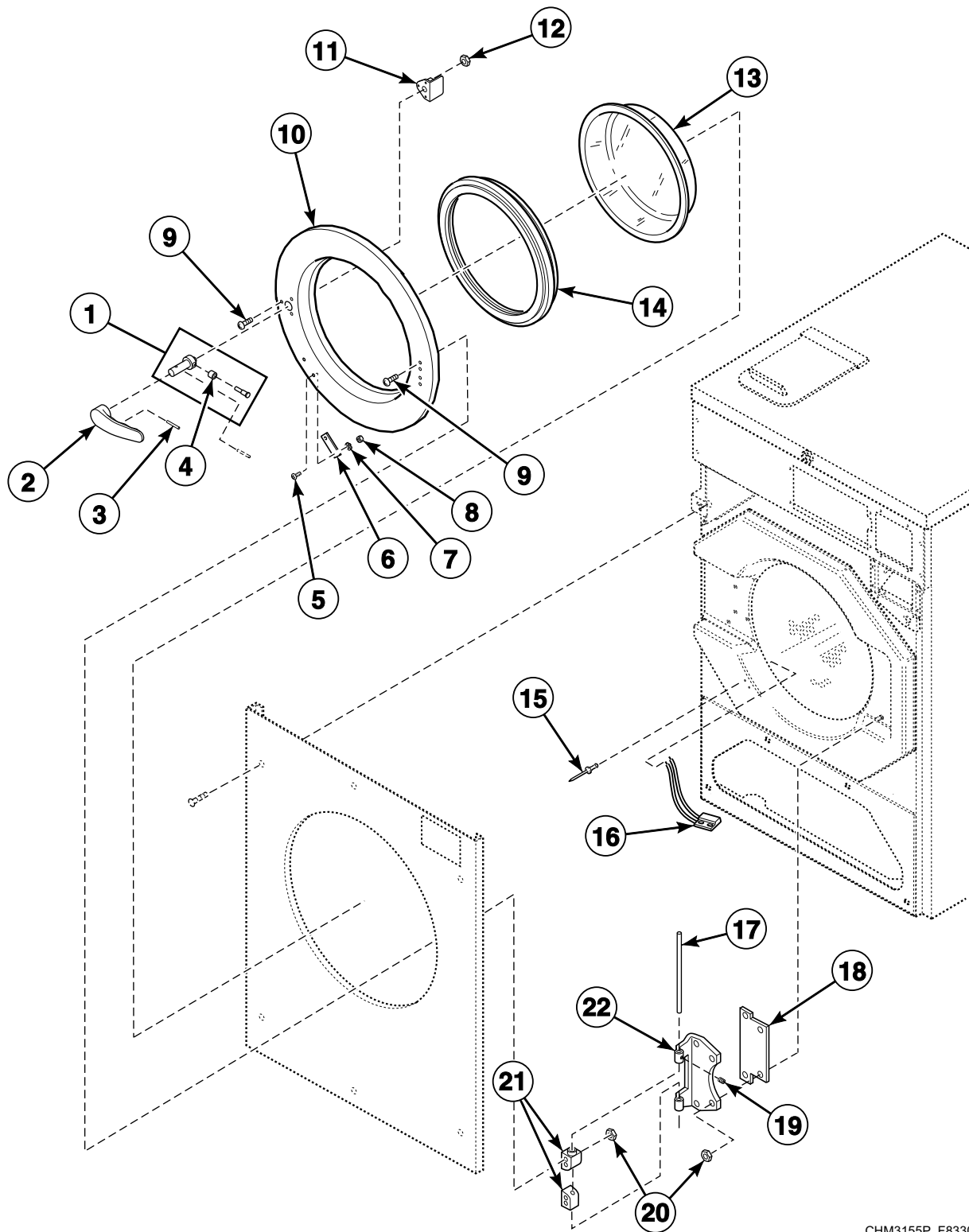


CHM3125PA_F8330701

Panels (Drawing 2 of 2)

REF	PART NO.	DESCRIPTION	COMMENTS
1	F8042902P	Left Side Panel	20 pound Design 1 models; Vinyl
	F8043102P	Left Side Panel	30 pound Design 1 models; Vinyl
	F8043202P	Left Side Panel	40 pound Design 1 models; Vinyl
	F8043302P	Left Side Panel	60 pound Design 1 models; Vinyl
	F8399202	Left Side Panel	20 pound Design 2 models
	F8399302	Left Side Panel	30 pound Design 2 models
	F8399402	Left Side Panel	40 pound Design 2 models
	F8399502	Left Side Panel	60 pound Design 2 models
2	70107001	Pushbutton Switch	Coin models
3	F8042901P	Right Side Panel	20 pound Design 1 models; Vinyl
	F8043101P	Right Side Panel	30 pound Design 1 models; Vinyl
	F8043201P	Right Side Panel	40 pound Design 1 models; Vinyl
	F8043301P	Right Side Panel	60 pound Design 1 models; Vinyl
	F8399201	Right Side Panel	20 pound Design 2 models
	F8399301	Right Side Panel	30 pound Design 2 models
	F8399401	Right Side Panel	40 pound Design 2 models
	F8399501	Right Side Panel	60 pound Design 2 models
4	F8206901	Screw	
5	F8176201P	Rear Panel	20 pound Design 1 models
	F8176301	Rear Panel	30 pound Design 1 models
	F8177701P	Rear Panel	40 pound Design 1 models
	F8177501P	Rear Panel	60 pound Design 1 models
	F8362401	Rear Panel	20 pound Design 2 models
	F8352801	Rear Panel	30 pound Design 2 models
	F8365201	Rear Panel	40 pound Design 2 models
	F8367101	Rear Panel	60 pound Design 2 models

Door

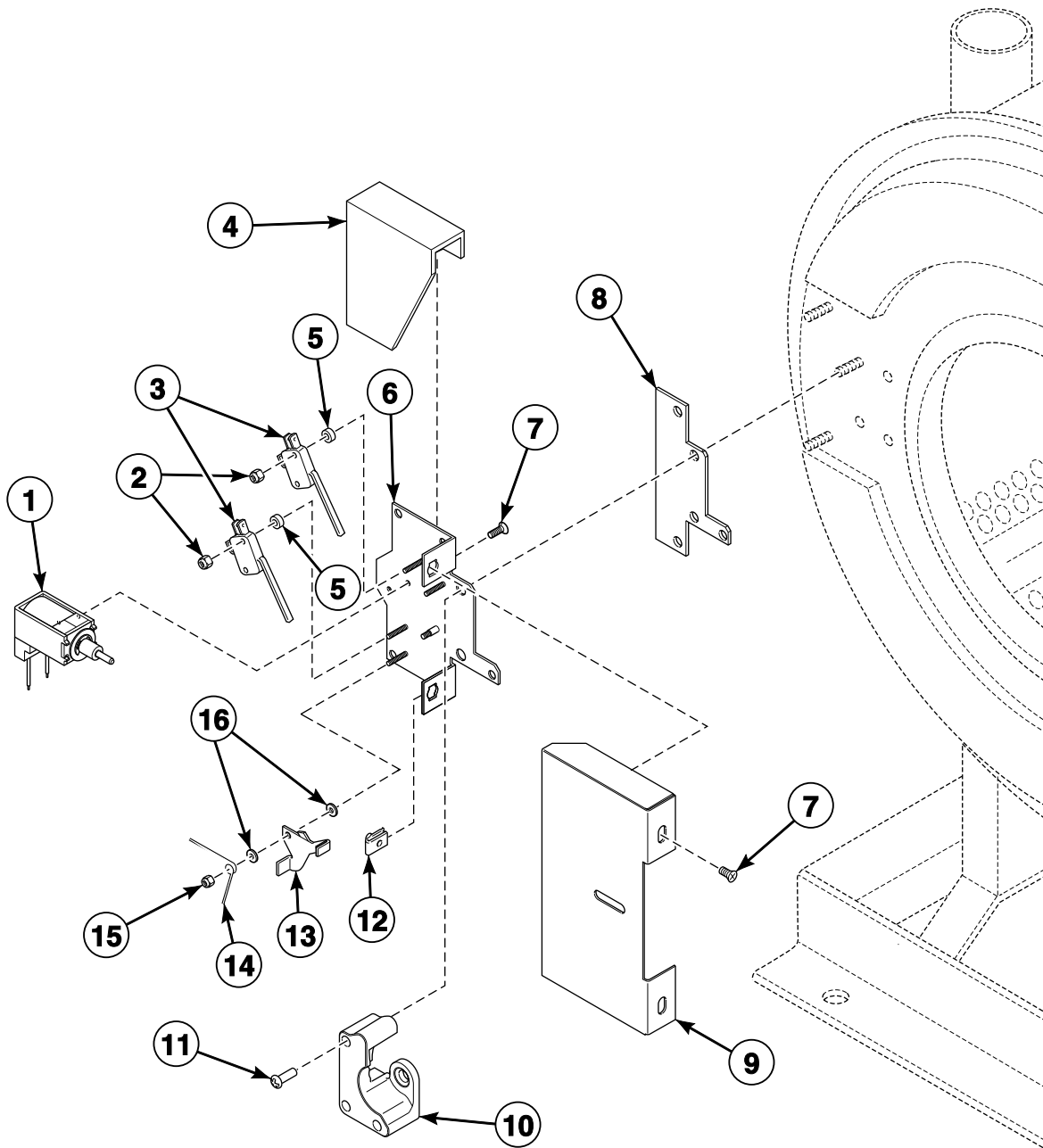


CHM3155P_F8330701

Door

REF	PART NO.	DESCRIPTION	COMMENTS
	F8187201	Door Assembly	20 pound SC and UC models; Includes items 1-14 and 17-22
	F8187203	Door Assembly	20 pound HC models; Includes items 1-14 and 17-22
	F8187301	Door Assembly	30 pound SC and UC models; Includes items 1-14 and 17-22
	F8187303	Door Assembly	30 pound HC models; Includes items 1-14 and 17-22
	F8187401	Door Assembly	40 and 60 pound SC and UC models; Includes items 1-14 and 17-22
	F8187403	Door Assembly	40 and 60 pound HC models; Includes items 1-14 and 17-22
1	F8221401	Door Latch Arm Assembly	
2	F8199401P	Door Handle	SC and UC models; Black
	F8199501	Door Handle	HC models; Gray
3	F431222	Spring Pin	
4	F8221701	Bearing Sleeve	
5	F430916	Screw	
6	F8390801	Magnet	
7	F431113	Washer	
8	F431022	Nut	
9	F430976	Screw	
10	F0602431-02	Door	20 pound models
	F0602837-02	Door	30 pound models
	F602842-2	Door	40 and 60 pound models
11	F8223701	Door Handle Spacer	
12	F430232	Nut	
13	F290205P	Door Glass Kit	20 pound SC and UC models; 20 pound HC models through 1/10/10
	F8341701	Door Glass	20 pound HC models; Models starting 1/11/10
	F290207P	Door Glass Kit	30 pound SC and UC models; 30 pound HC models through 1/10/10
	F8341801P	Door Glass	30 pound HC models; Models starting 1/11/10
	F290208P	Door Glass	40 and 60 pound SC and UC models; 40 and 60 pound HC models through 1/10/10
	F8341901	Door Glass	40 and 60 pound HC models; Models starting 1/11/10
14	F200000200	Door Gasket	20 pound models
	F8111601	Door Gasket	30 pound models
	F170124	Door Gasket	40 and 60 pound models
15	F8245101	Blind Rivet	
16	F8066802	Reed Switch Assembly	
17	F602813-2	Rod	20 and 30 pound models
	F602813-3	Rod	40 and 60 pound models
18	F200131000	Door Hinge Shim	
19	F430536	Screw	
20	F430215	Nut	
21	F150271	Door Mount	
22	F190216P	Door Hinge	

Door Lock



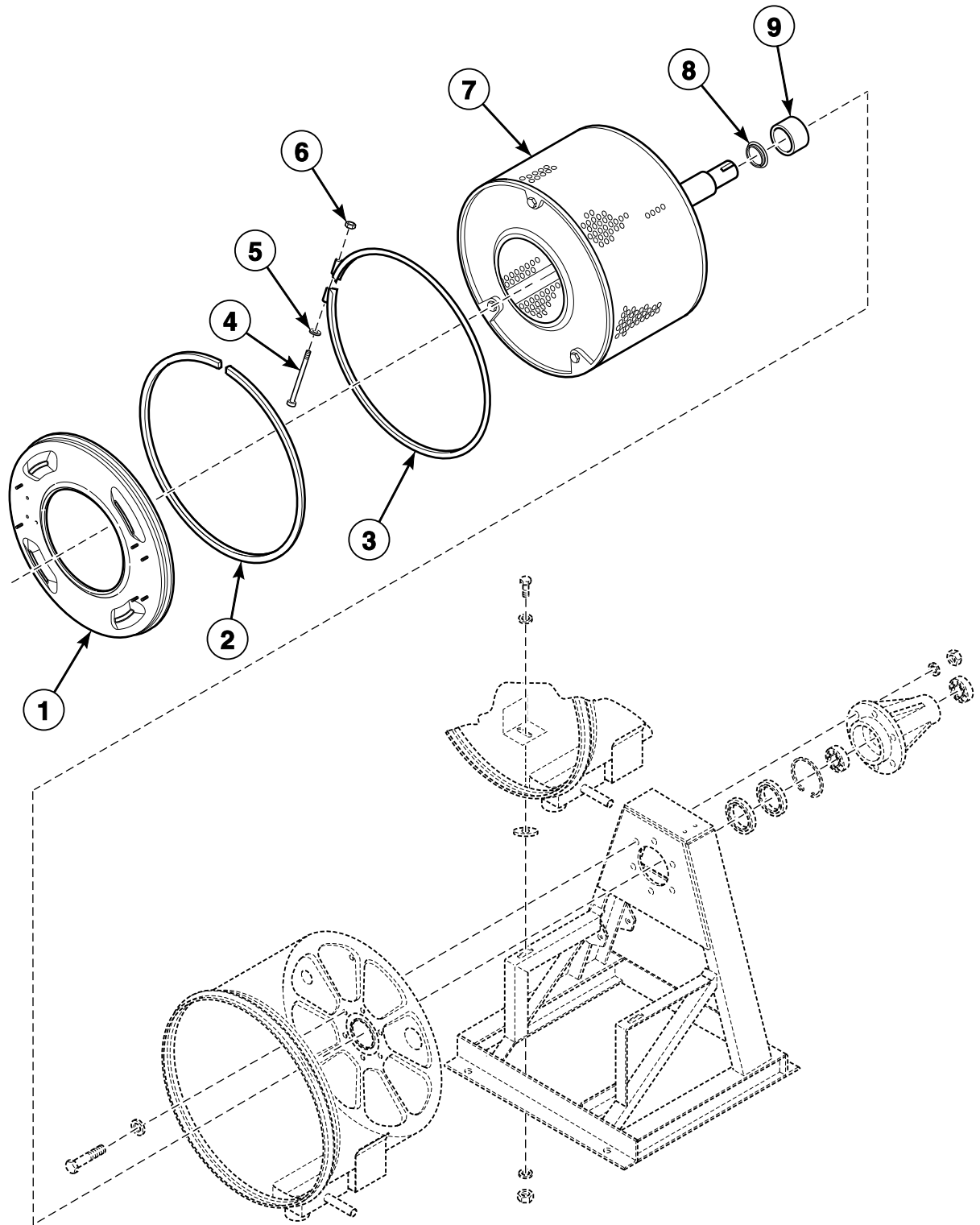
CHM3044P_F8330701

Door Lock

REF	PART NO.	DESCRIPTION	COMMENTS
	F8197101	Door Lock Assembly	Includes F8339902 External Door Lock Harness; Models through 10/31/10
	F8340501	Door Lock Assembly	Includes F8340001 External Door Lock Harness; Models starting 11/1/10
	F977P3	Door Lock Solenoid Replacement Kit	Includes F8340101 Solenoid
1	N/A	External Door Lock Harness	Includes F8224201 Solenoid; Models through 10/31/10; Order F977P3 Door Lock Solenoid Replacement Kit
	F8340001	External Door Lock Harness	Models starting 11/1/10
2	F430225	Nut	
3	F200203200	Door Lock Microswitch	
4	F320200	Door Lock Splash Shield	
5	F431901	Spacer	
6	F8223201	Door Lock Plate Assembly	Models through 10/31/10
	F8223202	Door Lock Plate Assembly	Models starting 11/1/10
7	F430956	Screw	
8	F8059701	Door Lock Plate Shim	Models through 9/25/09
	F8344401	Door Lock Plate Shim	Models starting 9/26/09
9	F8245001	Door Lock Cover	
10	F8223601	Door Lock Catch	Models through 10/31/10
	F8344501	Door Lock Catch	Models starting 11/1/10
11	F8270701	Bolt	
12	F430264	Nut	
13	F8223401	Door Lock Switch Lever	
14	F8070301	Torsion/Door Lock Spring	
15	F430232	Nut	
16	F431902	Washer	

N/A = Part no longer available

Basket, Shell, Frame and Trunnion - Design 1 Models (Drawing 1 of 3)

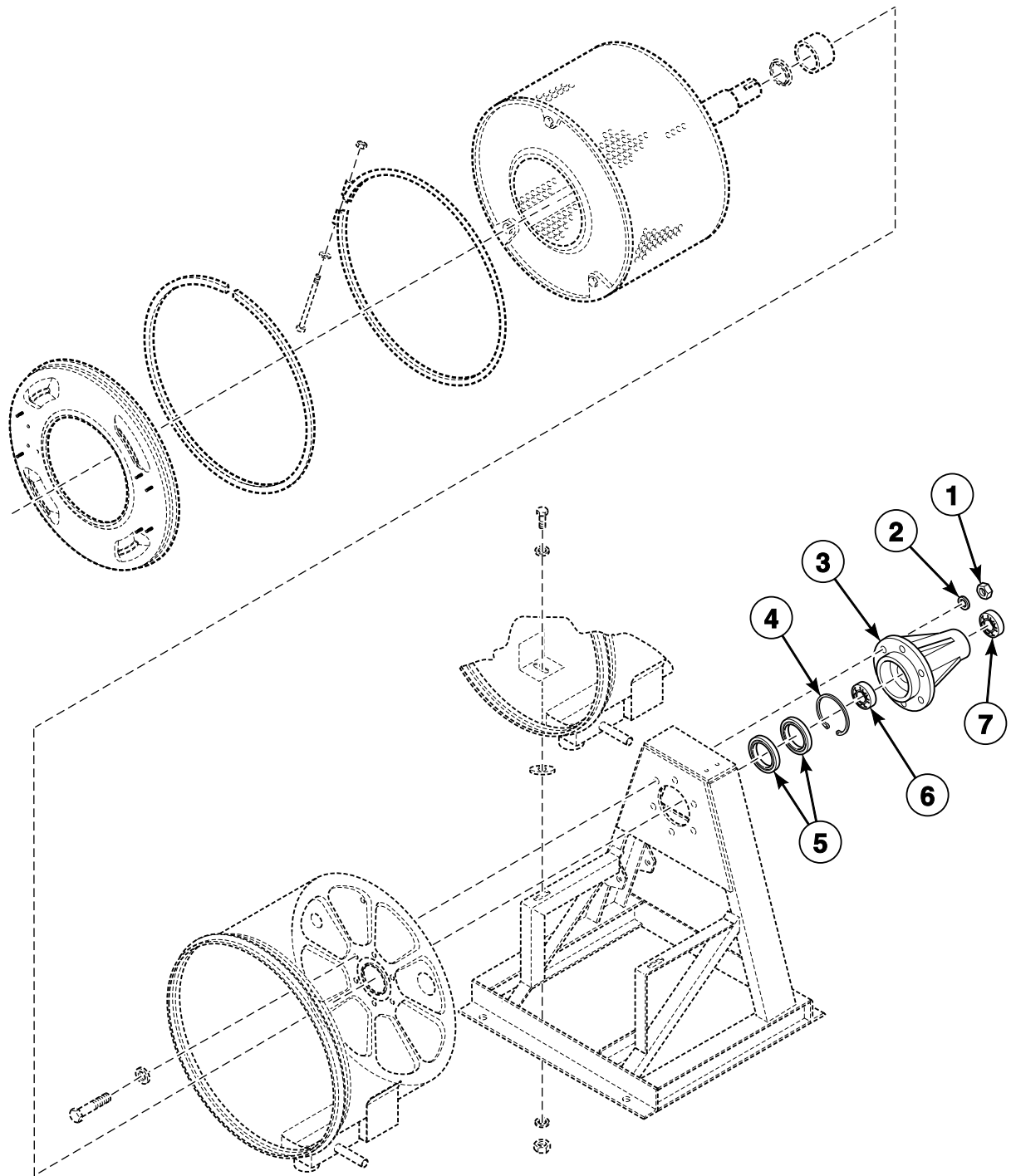


CHM3153P_F8330701

Basket, Shell, Frame and Trunnion - Design 1 Models (Drawing 1 of 3)

REF	PART NO.	DESCRIPTION	COMMENTS
	389P4	Basket Tool Kit	Use with F935P3, F936P3, F938P3 and F939P3 Pressfit Upgrade Kits
	390P4	Basket Rental Tool Kit	Use with F935P3, F936P3, F938P3 and F939P3 Pressfit Upgrade Kits
1	F8229401	Shell Front Assembly	20 pound models
	F8229501	Shell Front Assembly	30 pound models
	F8229601	Shell Front Assembly	40 pound models
	F8229701	Shell Front Assembly	60 pound models
2	F200001600P	Shell Band Gasket	
3	F602757	Shell Band Assembly	20 pound models
	F631977	Shell Band Assembly	30 pound models
	F741701	Shell Band Kit	40 pound models
	F741702	Shell Band Kit	60 pound models
4	F430518	Screw	
5	F430317	Washer	
6	F430215	Nut	
7	F935P3	Pressfit Upgrade Kit	20 pound models; Models through 3/31/10; Includes items 8, 9, F8347801 Basket Assembly and F747001 Trunnion Kit
	F936P3	Pressfit Upgrade Kit	30 pound models; Models through 3/31/10; Includes items 8, 9, F8347901 Basket Assembly and F747002 Trunnion Kit
	F938P3	Pressfit Upgrade Kit	40 pound models; Models through 3/31/10; Includes items 8, 9, F8336301 Basket Assembly and F747003 Trunnion Kit
	F939P3	Pressfit Upgrade Kit	60 pound models; Models through 3/31/10; Includes items 8, 9, F8336501 Basket Assembly and F747005 Trunnion Kit
	F8347801P	Basket Assembly	20 pound models; Models that have been upgraded with F935P3 Pressfit Upgrade Kit or models starting 4/1/10; Includes items 8 and 9
	F8347901P	Basket Assembly	30 pound models; Models that have been upgraded with F936P3 Pressfit Upgrade Kit or models starting 4/1/10; Includes items 8 and 9
	F8336301P	Basket Assembly	40 pound models; Models that have been upgraded with F938P3 Pressfit Upgrade Kit or models starting 4/1/10; Includes items 8 and 9
	F8336501P	Basket Assembly	60 pound models; Models that have been upgraded with F939P3 Pressfit Upgrade Kit or models starting 4/1/10; Includes items 8 and 9
	8	F8336801	Excluder Seal
F8336901		Excluder Seal	30 pound models; Models that have been upgraded with F936P3 Pressfit Upgrade Kit or models starting 4/1/10
F8337001		Excluder Seal	40 pound models; Models that have been upgraded with F938P3 Pressfit Upgrade Kit or models starting 4/1/10
F8337101		Excluder Seal	60 pound models; Models that have been upgraded with F939P3 Pressfit Upgrade Kit or models starting 4/1/10
9	F8312001P	Shaft Seal Sleeve	20 pound models; Models that have not been upgraded with F935P3 Pressfit Upgrade Kit or models through 3/31/10
	F8312004P	Shaft Seal Sleeve	30 pound models; Models that have not been upgraded with F936P3 Pressfit Upgrade Kit or models through 3/31/10
	F8312006P	Shaft Seal Sleeve	40 pound models; Models that have not been upgraded with F938P3 Pressfit Upgrade Kit or models through 3/31/10
	F8343901P	Shaft Seal Sleeve Kit	20 pound models; Models that have been upgraded with F935P3 Pressfit Upgrade Kit or models starting 4/1/10
	F8343904P	Shaft Seal Sleeve Kit	30 pound models; Models that have been upgraded with F936P3 Pressfit Upgrade Kit or models starting 4/1/10
	F8343906P	Shaft Seal Sleeve Kit	40 pound models; Models that have been upgraded with F938P3 Pressfit Upgrade Kit or models starting 4/1/10
	F8343909P	Shaft Seal Sleeve Kit	60 pound models

Basket, Shell, Frame and Trunnion - Design 1 Models (Drawing 2 of 3)

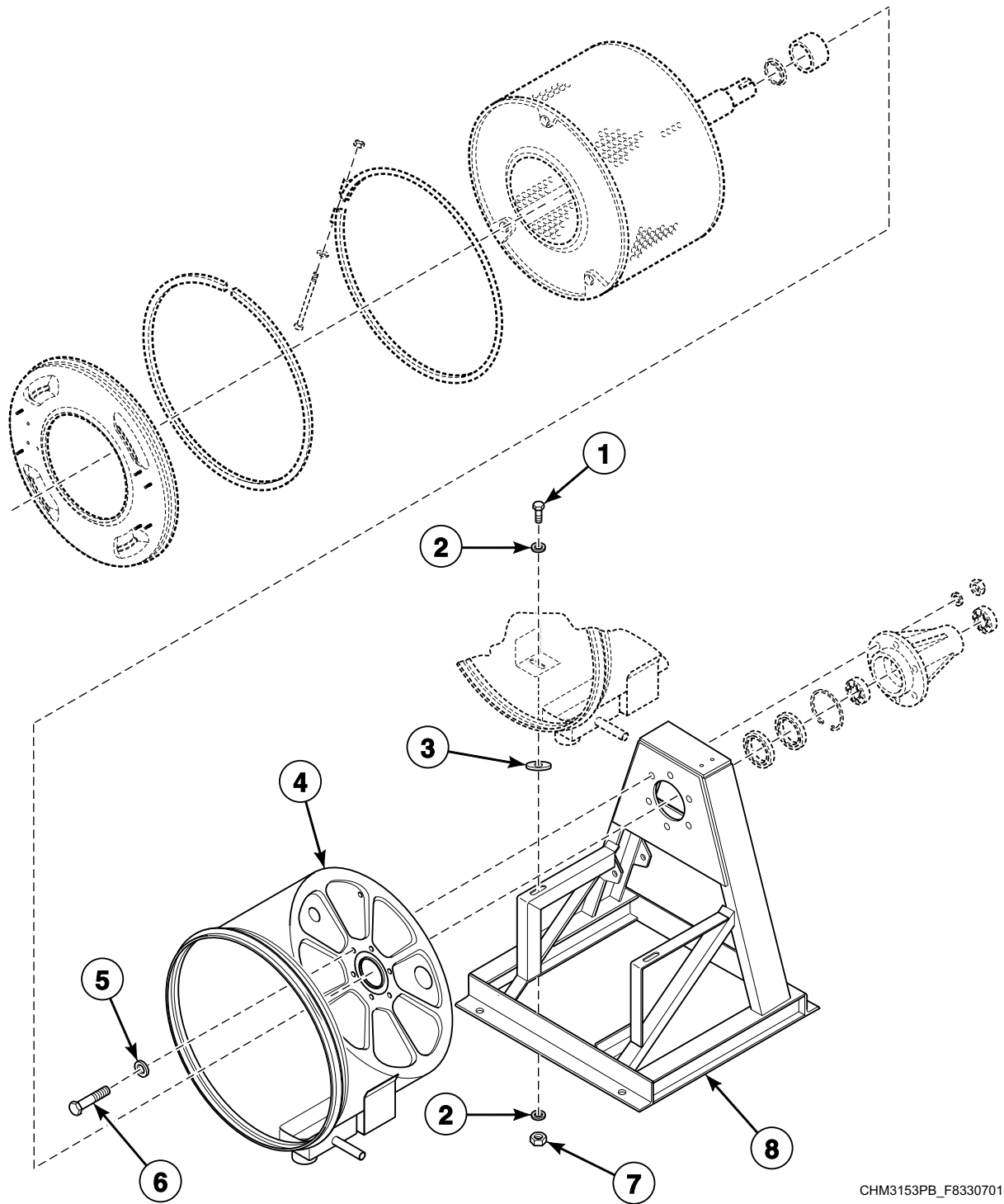


CHM3153PA_F8330701

Basket, Shell, Frame and Trunnion - Design 1 Models (Drawing 2 of 3)

REF	PART NO.	DESCRIPTION	COMMENTS
1	F430239	Nut	20 pound models
	F430240	Nut	All other models
2	F431128	Washer	20 pound models
	F431131	Washer	All other models
3	F747001	Trunnion Kit	20 pound models; Includes items 5-7
	F747002	Trunnion Kit	30 pound models; Includes items 5-7
	F747003	Trunnion Kit	40 pound models; Includes items 5-7
	F747005	Trunnion Kit	60 pound models; Includes items 5-7
4	F8344901	Retaining Ring	20 pound models; Models that have been upgraded with F935P3 Pressfit Upgrade Kit or models starting 4/1/10
	F8345001	Retaining Ring	30 pound models; Models that have been upgraded with F936P3 Pressfit Upgrade Kit or models starting 4/1/10
	F8337801	Retaining Ring	40 pound models; Models that have been upgraded with F938P3 Pressfit Upgrade Kit or models starting 4/1/10
	F8337901	Retaining Ring	60 pound models; Models that have been upgraded with F939P3 Pressfit Upgrade Kit or models starting 4/1/10
5	F8203801	Triple Lip Seal	20 pound models
	F8203802	Triple Lip Seal	30 pound models
	F8203803	Triple Lip Seal	40 pound models
	F8203806	Triple Lip Seal	60 pound models
6	F100137P	Bearing	6308 2RS C3; Front; 20 and 40 pound models
	F100123P	Bearing	6309 2RS C3; Front; 30 pound models
	F100135	Bearing	6313 2RS C3; Front; 60 pound models
7	F100136P	Bearing	6307 2RS C3; Rear; 20 pound models
	F100108	Bearing	6208 2RS C3; Rear; 30 pound models
	F100134	Bearing	6310 2RS C3; Rear; 40 and 60 pound models

Basket, Shell, Frame and Trunnion - Design 1 Models (Drawing 3 of 3)

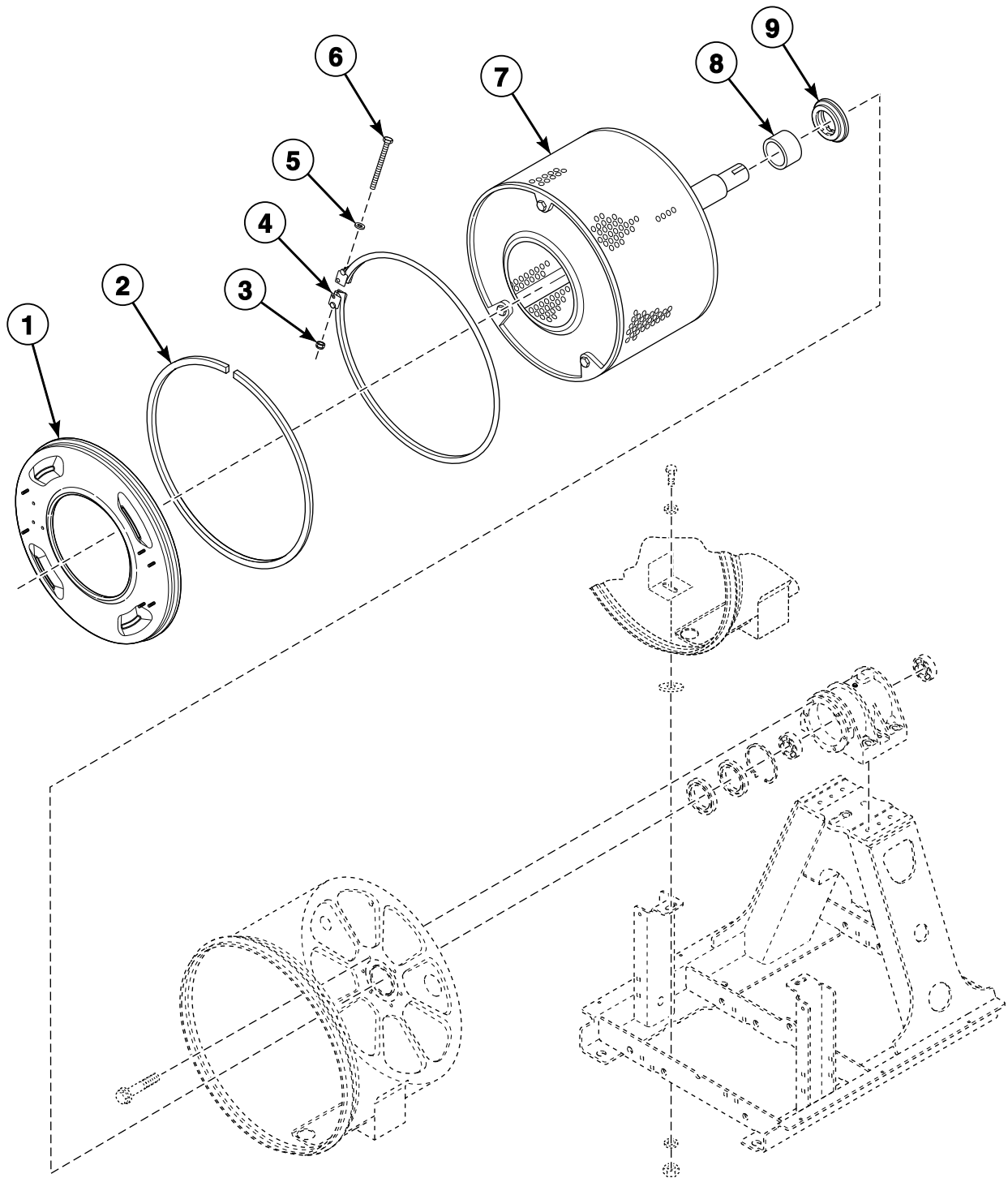


CHM3153PB_F8330701

Basket, Shell, Frame and Trunnion - Design 1 Models (Drawing 3 of 3)

REF	PART NO.	DESCRIPTION	COMMENTS
1	F430942	Screw	
2	M400081	Washer	
3	F430303	Washer	
4	F8179201	Shell Weldment	20 pound coin models; Standard
	F8179202	Shell Weldment	20 pound OPL models; Models with electric heat
	F8179203	Shell Weldment	20 pound OPL models; Standard
	F8179301	Shell Weldment	30 pound coin models; Standard
	F8179302	Shell Weldment	30 pound OPL models; Models with electric heat
	F8179303	Shell Weldment	30 pound OPL models; Standard
	F8179401	Shell Weldment	40 pound coin models; Standard
	F8179402	Shell Weldment	40 pound OPL models; Models with electric heat
	F8179403	Shell Weldment	40 pound OPL models; Standard
	F8179501	Shell Weldment	60 pound coin models; Standard
	F8179502	Shell Weldment	60 pound OPL models; Models with electric heat
	F8179503	Shell Weldment	60 pound OPL models; Standard
	5	F431128	Washer
F431131		Washer	All other models
6	F430949	Screw	20 pound models
	F430987	Screw	All other models
7	F430218	Nut	
8	F8195901	Frame Weldment	20 pound models
	F8196001	Frame Weldment	30 pound models
	F8196101	Frame Weldment	40 pound models
	F8199101	Frame Weldment	60 pound models

Basket, Shell, Frame and Trunnion - Design 2 Models (Drawing 1 of 3)

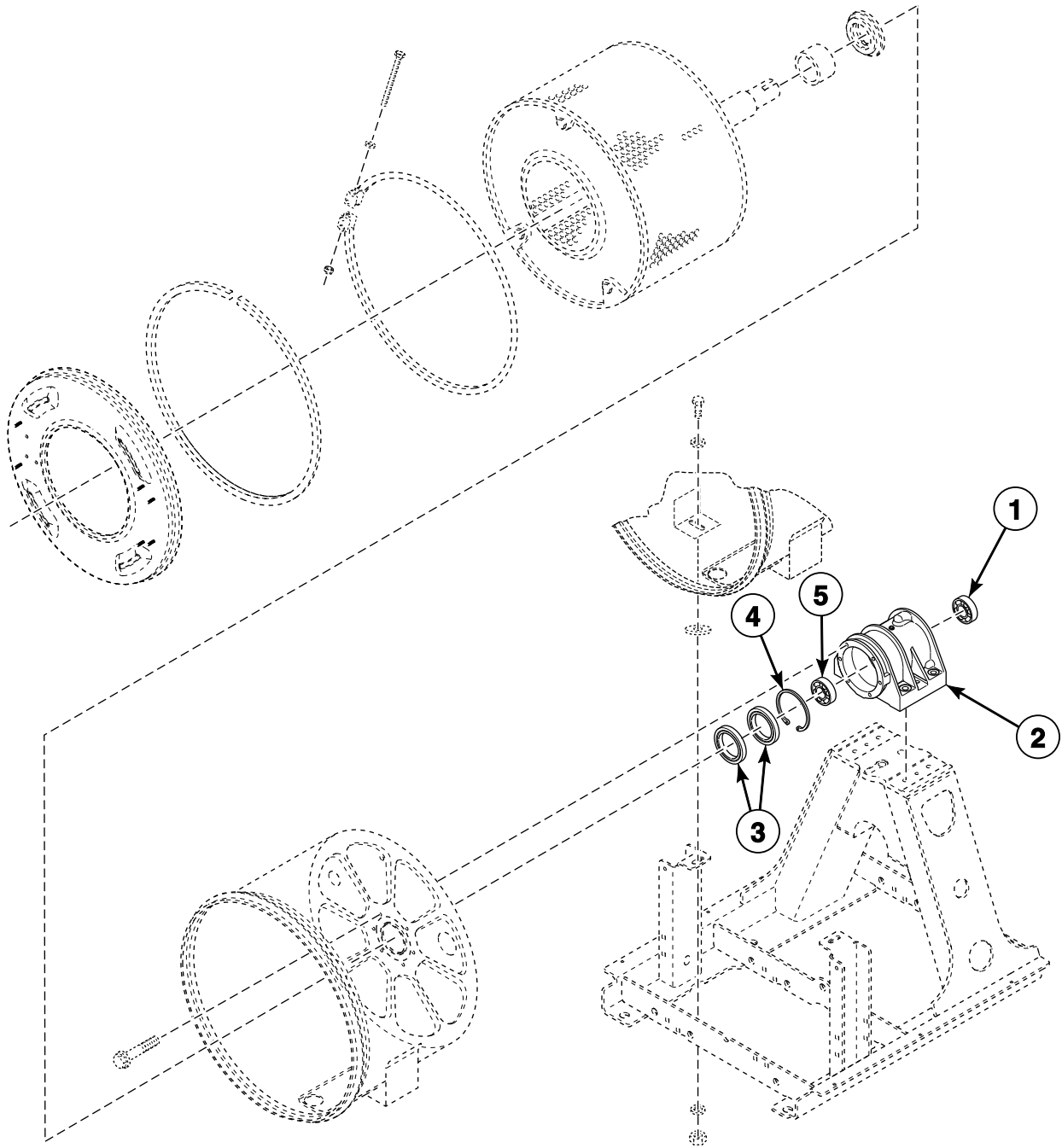


CHM3202P_F8330701

Basket, Shell, Frame and Trunnion - Design 2 Models (Drawing 1 of 3)

REF	PART NO.	DESCRIPTION	COMMENTS
	389P4	Basket Tool Kit	Use with F935P3, F936P3, F938P3 and F939P3 Pressfit Upgrade Kits
	390P4	Basket Rental Tool Kit	Use with F935P3, F936P3, F938P3 and F939P3 Pressfit Upgrade Kits
1	F8229401	Shell Front Assembly	20 pound models
	F8229501	Shell Front Assembly	30 pound models
	F8229601	Shell Front Assembly	40 pound models
	F8229701	Shell Front Assembly	60 pound models
2	F200001600P	Shell Band Gasket	
3	F430215	Nut	
4	F602757	Shell Band Assembly	20 pound models
	F631977	Shell Band Assembly	30 pound models
	F741701	Shell Band Kit	40 pound models
	F741702	Shell Band Kit	60 pound models
5	F430317	Washer	
6	F430518	Screw	
7	F8391301	Basket Assembly	20 pound models
	F8391501	Basket Assembly	30 pound models
	F8391701	Basket Assembly	40 pound models
	F8391901	Basket Assembly	60 pound models
8	F8336801	Excluder Seal	20 pound models; Models that have been upgraded with F935P3 Pressfit Upgrade Kit or models starting 4/1/10
	F8336901	Excluder Seal	30 pound models; Models that have been upgraded with F936P3 Pressfit Upgrade Kit or models starting 4/1/10
	F8337001	Excluder Seal	40 pound models; Models that have been upgraded with F938P3 Pressfit Upgrade Kit or models starting 4/1/10
	F8337101	Excluder Seal	60 pound models; Models that have been upgraded with F939P3 Pressfit Upgrade Kit or models starting 4/1/10
9	F8343901P	Shaft Seal Sleeve Kit	20 pound models
	F8343904P	Shaft Seal Sleeve Kit	30 pound models
	F8343906P	Shaft Seal Sleeve Kit	40 pound models
	F8343909P	Shaft Seal Sleeve Kit	60 pound models

Basket, Shell, Frame and Trunnion - Design 2 Models (Drawing 2 of 3)

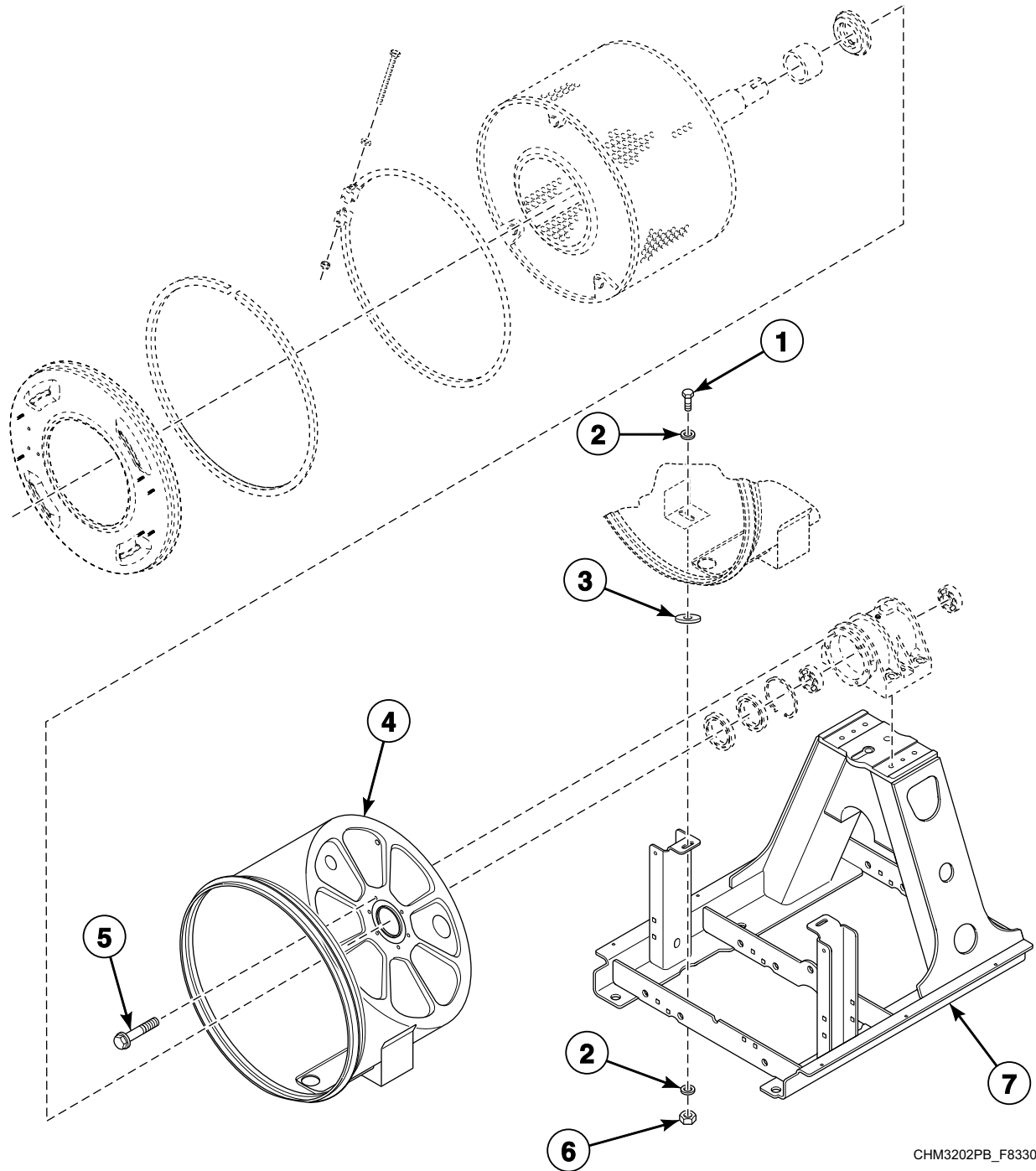


CHM3202PA_F8330701

Basket, Shell, Frame and Trunnion - Design 2 Models (Drawing 2 of 3)

REF	PART NO.	DESCRIPTION	COMMENTS
1	F100136P	Bearing	6307 2RS C3; Rear; 20 pound models
	F100108	Bearing	6208 2RS C3; Rear; 30 pound models
	F100134	Bearing	6310 2RS C3; Rear; 40 and 60 pound models
2	F8271601	Bearing Housing Assembly	20 pound models
	F8271701	Bearing Housing Assembly	30 pound models
	F8271801	Bearing Housing Assembly	40 pound models
	F8271901	Bearing Housing Assembly	60 pound models
3	F8203801	Triple Lip Seal	20 pound models
	F8203802	Triple Lip Seal	30 pound models
	F8203803	Triple Lip Seal	40 pound models
	F8203806	Triple Lip Seal	60 pound models
4	F8344901	Retaining Ring	20 pound models; Models that have been upgraded with F935P3 Pressfit Upgrade Kit or models starting 4/1/10
	F8345001	Retaining Ring	30 pound models; Models that have been upgraded with F936P3 Pressfit Upgrade Kit or models starting 4/1/10
	F8337801	Retaining Ring	40 pound models; Models that have been upgraded with F938P3 Pressfit Upgrade Kit or models starting 4/1/10
	F8337901	Retaining Ring	60 pound models; Models that have been upgraded with F939P3 Pressfit Upgrade Kit or models starting 4/1/10
5	F100137P	Bearing	6308 2RS C3; Front; 20 and 40 pound models
	F100123P	Bearing	6309 2RS C3; Front; 30 pound models
	F100135	Bearing	6313 2RS C3; Front; 60 pound models

Basket, Shell, Frame and Trunnion - Design 2 Models (Drawing 3 of 3)

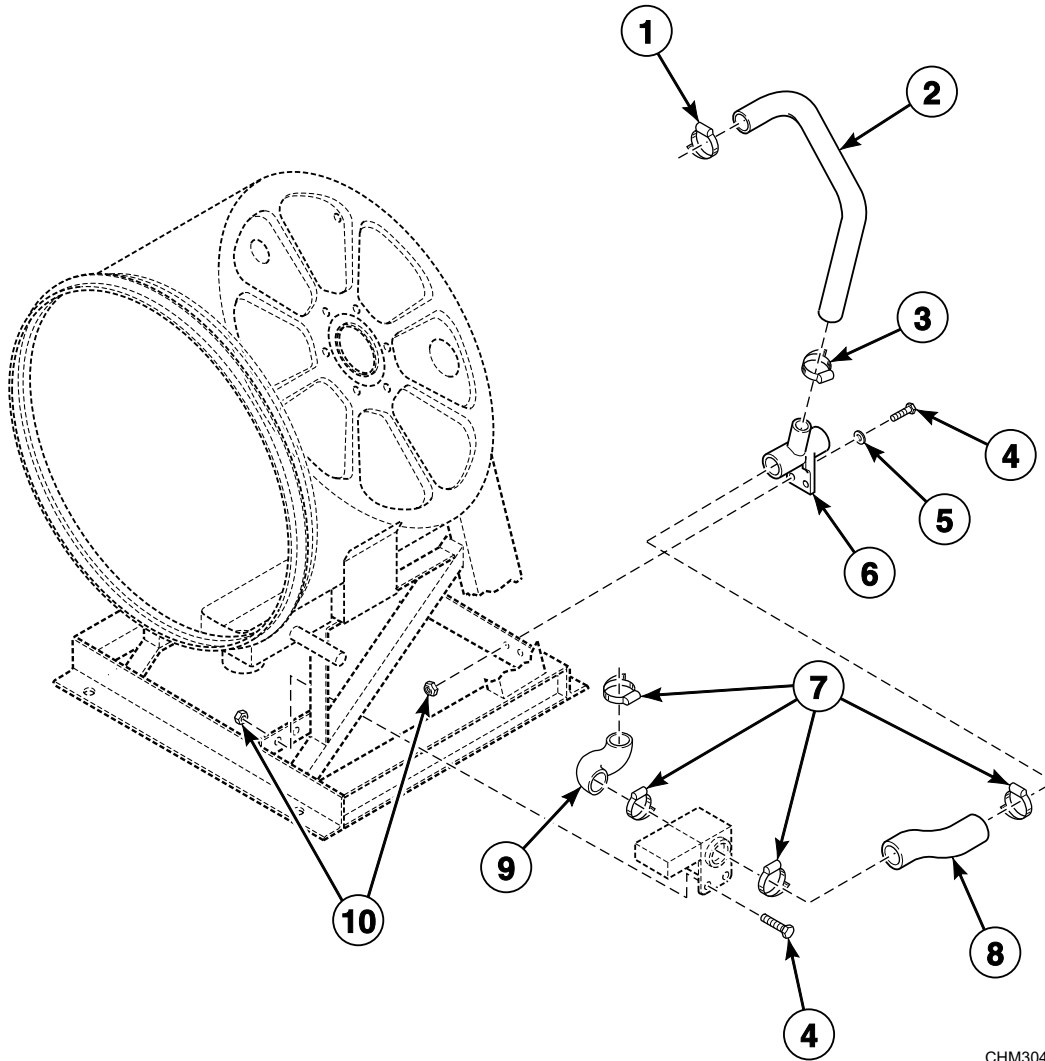


CHM3202PB_F8330701

Basket, Shell, Frame and Trunnion - Design 2 Models (Drawing 3 of 3)

REF	PART NO.	DESCRIPTION	COMMENTS
1	F430942	Screw	
2	M400081	Washer	
3	F430303	Washer	
4	F8360601	Shell Weldment	20 pound coin models; Standard
	F8360602	Shell Weldment	20 pound OPL models; Models with electric heat
	F8360603	Shell Weldment	20 pound OPL models; Standard
	F8360701	Shell Weldment	30 pound coin models; Standard
	F8360702	Shell Weldment	30 pound OPL models; Models with electric heat
	F8360703	Shell Weldment	30 pound OPL models; Standard
	F8360801	Shell Weldment	40 pound coin models; Standard
	F8360802	Shell Weldment	40 pound OPL models; Models with electric heat
	F8360803	Shell Weldment	40 pound OPL models; Standard
	F8360901	Shell Weldment	60 pound coin models; Standard
	F8360902	Shell Weldment	60 pound OPL models; Models with electric heat
	F8360903	Shell Weldment	60 pound OPL models; Standard
	5	F430949	Screw
F430987		Screw	All other models
6	F430218	Nut	
7	F8247001	Frame Weldment	20 pound models
	F8248001	Frame Weldment	30 pound models
	F8249001	Frame Weldment	40 pound models
	F8250001	Frame Weldment	60 pound models

Drain Plumbing - Design 1 Models

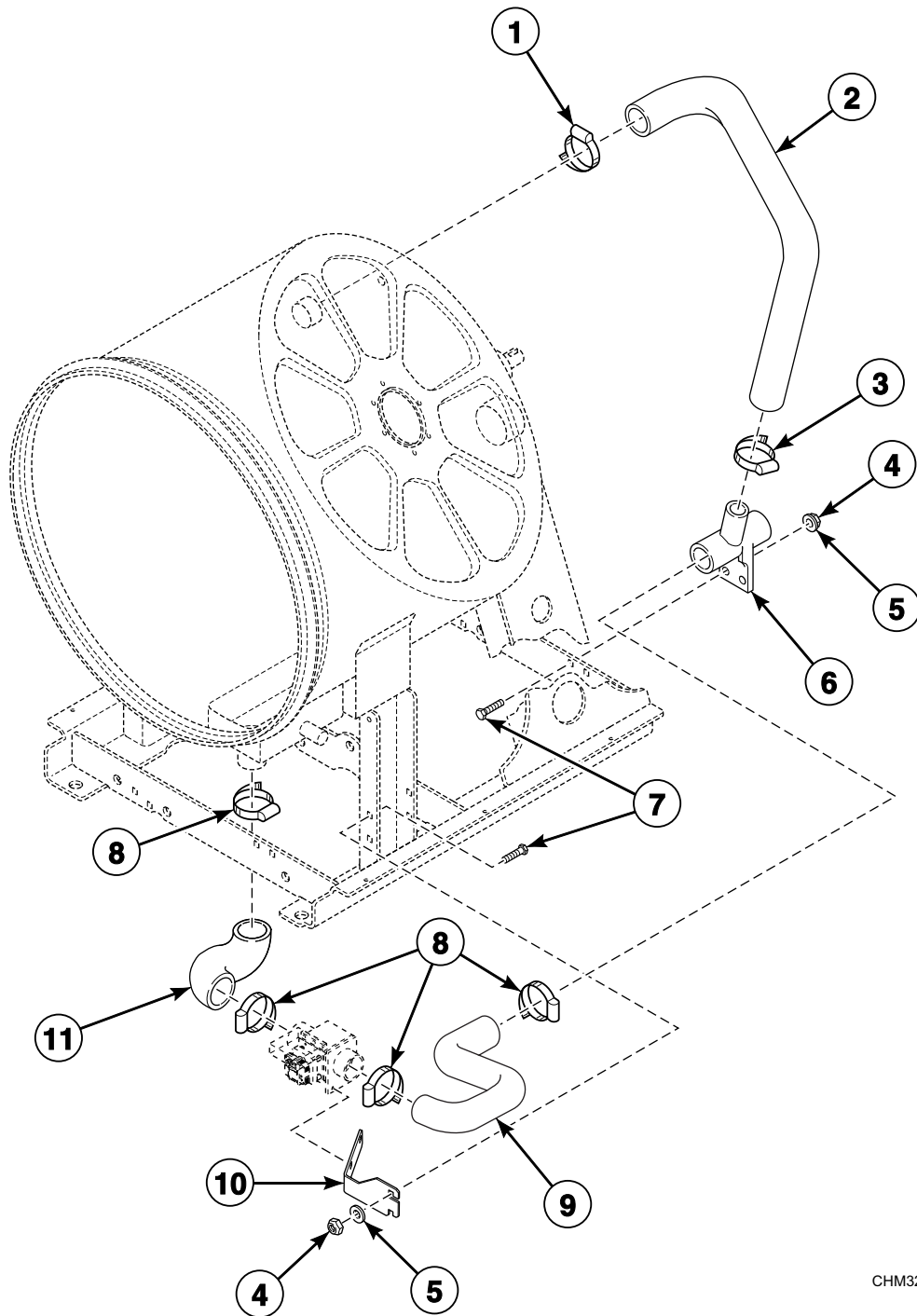


CHM3046P_F8330701

Drain Plumbing - Design 1 Models

REF	PART NO.	DESCRIPTION	COMMENTS
1	F200213	Hose Clamp	No. 40
2	F150308	Overflow Hose	20 and 30 pound models
	F0200238-00	Overflow Hose	40 pound models
	F8337701	Overflow Hose	40 pound models; Electric heat
	F150417	Overflow Hose	60 pound models
3	F200215	Hose Clamp	40 pound models
	F200213	Hose Clamp	No. 40; All other models
4	F430107	Screw	
5	F430317	Washer	
6	F150318	Drain Connect Tee	20 and 30 pound models
	F150398	Drain Tee	40 and 60 pound models
7	F200213	Hose Clamp	No. 40; 20 and 30 pound models
	F200201	Hose Clamp	No. 56; 40 and 60 pound models
8	F8233101	Drain Hose	Rear; 20 pound models
	F8233102	Drain Hose	Rear; 30 pound models
	F8231901	Drain Hose	Rear; 40 pound models
	F8231902	Drain Hose	Rear; 60 pound models
9	F8233001	Drain Hose	Front; 20 and 30 pound models
	F8232901	Drain Hose	Front; 40 and 60 pound models
10	F430215	Nut	

Drain Plumbing - Design 2 Models

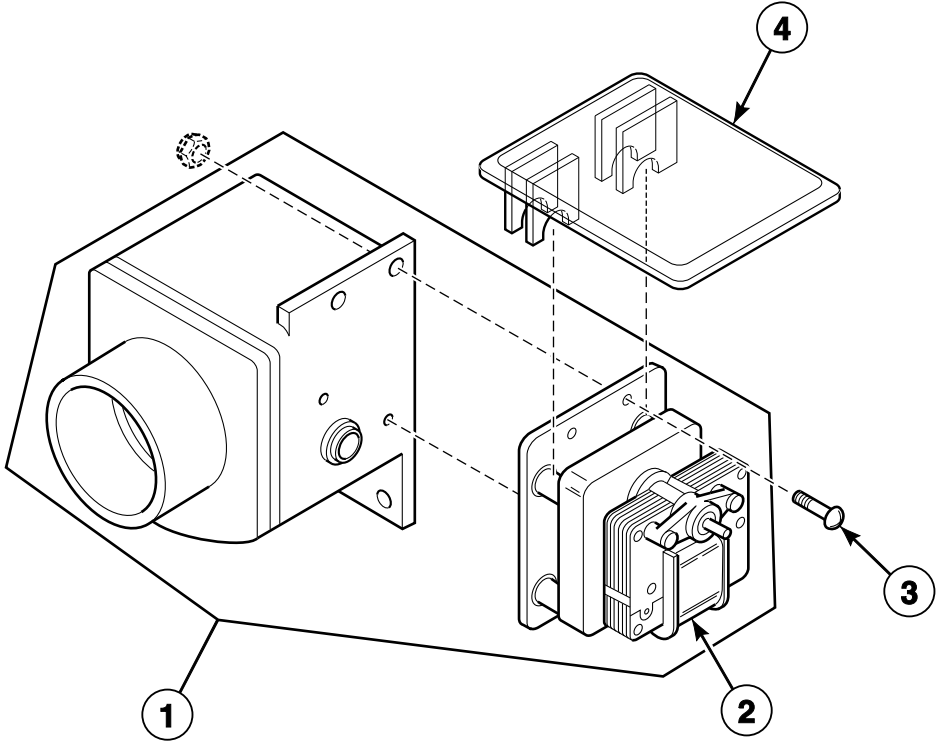


CHM3204P_F8330701

Drain Plumbing - Design 2 Models

REF	PART NO.	DESCRIPTION	COMMENTS
1	F200213	Hose Clamp	No. 40
2	F8367901	Overflow Hose	20 pound models
	F8368001	Overflow Hose	30 pound models
	F8367201	Overflow Hose	40 and 60 pound models
3	F200215	Hose Clamp	No. 28; 40 pound models
	F200213	Hose Clamp	No. 40; All other models
4	F430215	Nut	
5	F430317	Washer	
6	F150318	Drain Connect Tee	20 and 30 pound models
	F150398	Drain Tee	40 and 60 pound models
7	F430107	Screw	
8	F200213	Hose Clamp	No. 40; 20 and 30 pound models
	F200201	Hose Clamp	No. 56; 40 and 60 pound models
9	F8365601	Rear Drain Hose	20 pound models
	F8365602	Rear Drain Hose	30 pound models
	F8231904	Rear Drain Hose	40 pound models
	F8231905	Rear Drain Hose	60 pound models
10	F8365401	Bracket	20 pound models
	F8365402	Bracket	30 pound models
	F8434601	Bracket	40 pound models
	F8434701	Bracket	60 pound models
11	F8261302	Drain Hose	20 and 30 pound models
	F8261303	Drain Hose	20 and 30 pound models; Electric heat
	F8232901	Drain Hose	40 and 60 pound models
	F8464701	Drain Hose	40 and 60 pound models; Electric heat

Drain Valve Assembly - 20 and 30 Pound Models

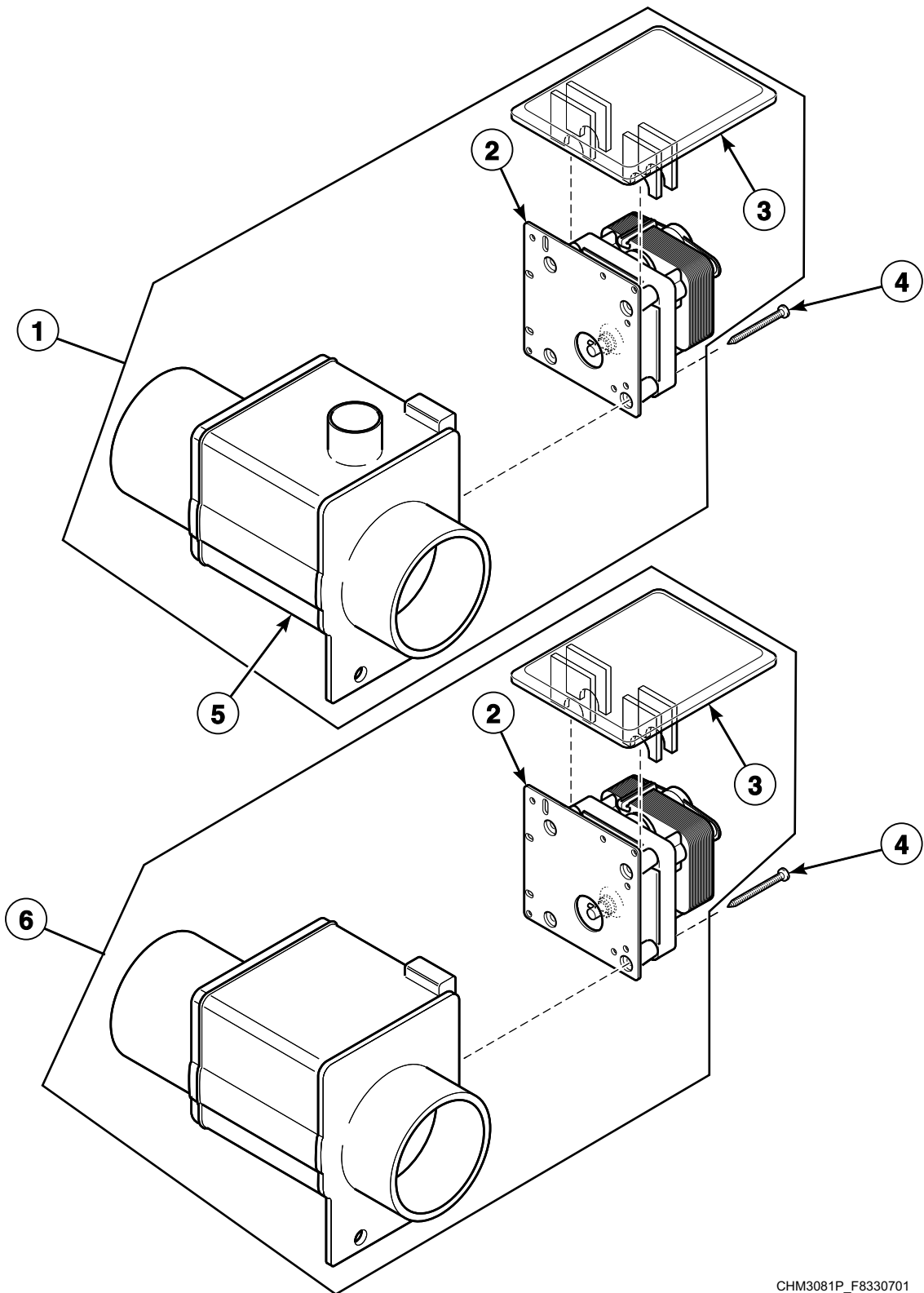


CHM2450P_F8330701

Drain Valve Assembly - 20 and 30 Pound Models

REF	PART NO.	DESCRIPTION	COMMENTS
1	803292	Gravity Drain Valve	220 Volt
2	F380933P	Drain Valve Motor	Round shaft; 220 Volt
	G159764P	Drain Valve Motor and Gear Box Assembly	Keyed shaft; 220 Volt
3	F200182700	Bolt	
4	F200133600	Drain Valve Cover	

Drain Valve Assembly - 40 and 60 Pound Models

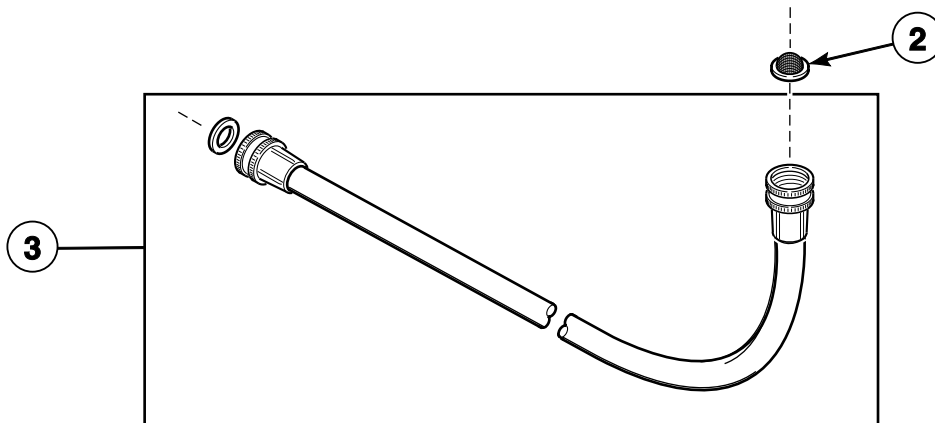
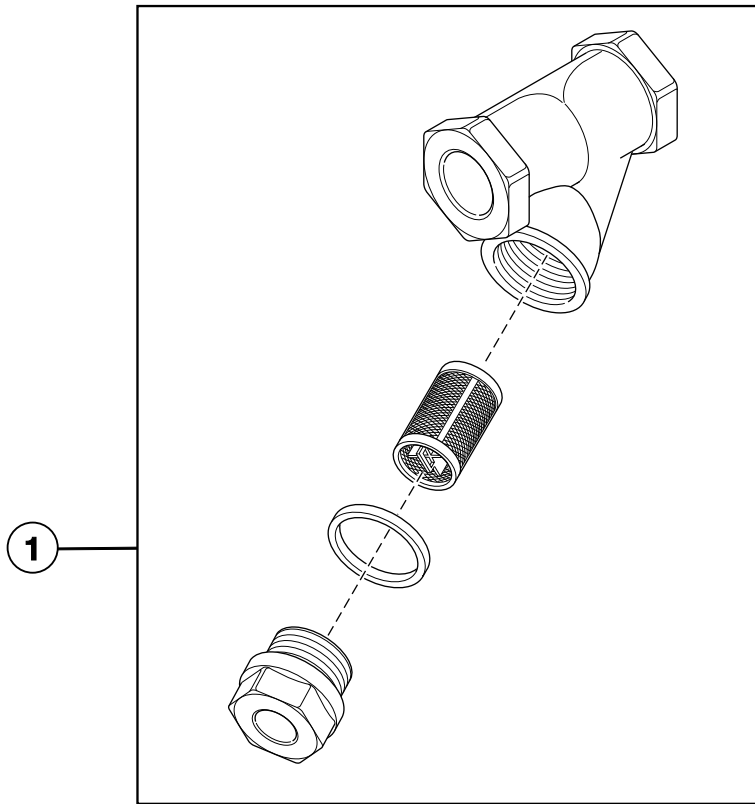


CHM3081P_F8330701

Drain Valve Assembly - 40 and 60 Pound Models

REF	PART NO.	DESCRIPTION	COMMENTS
1	F200166400	Drain Valve Kit	220 Volt; Models with heat
2	F380933P	Drain Valve Motor	Round shaft; 220 Volt
	G159764P	Drain Valve Motor and Gear Box Assembly	Keyed shaft; 220 Volt
3	F200133600	Drain Valve Cover	
4	F200182700	Bolt	
5	F8406307	Drain Valve	240 Volt; Models with heat
6	F200166402	Drain Valve Kit	220 Volt

Steam Filter (Optional) and Water Supply Hose

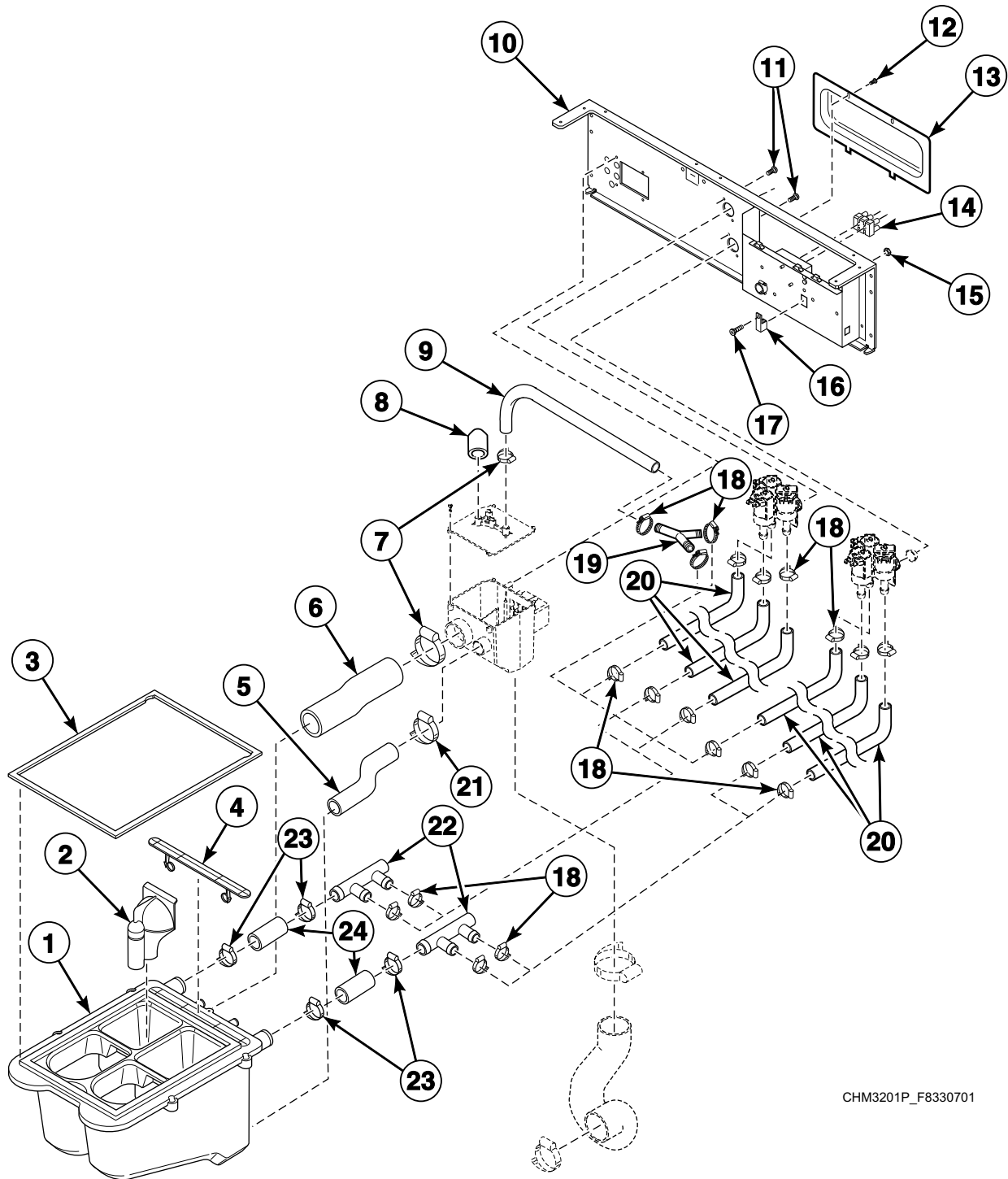


CHM3049P_F8330701

Steam Filter (Optional) and Water Supply Hose

REF	PART NO.	DESCRIPTION	COMMENTS
1	F270307	Steam Filter	1/2 inch
	F270308	Steam Filter	3/4 inch
2	803615	Washer	Filter
3	F200116	Water Hose	3/8 inch; Standard thread
	F200108P	Water Hose	1/2 inch; Standard or metric thread
	223/00049/10P	Fill Hose	Metric thread

Fill Plumbing Assembly (Drawing 1 of 2)

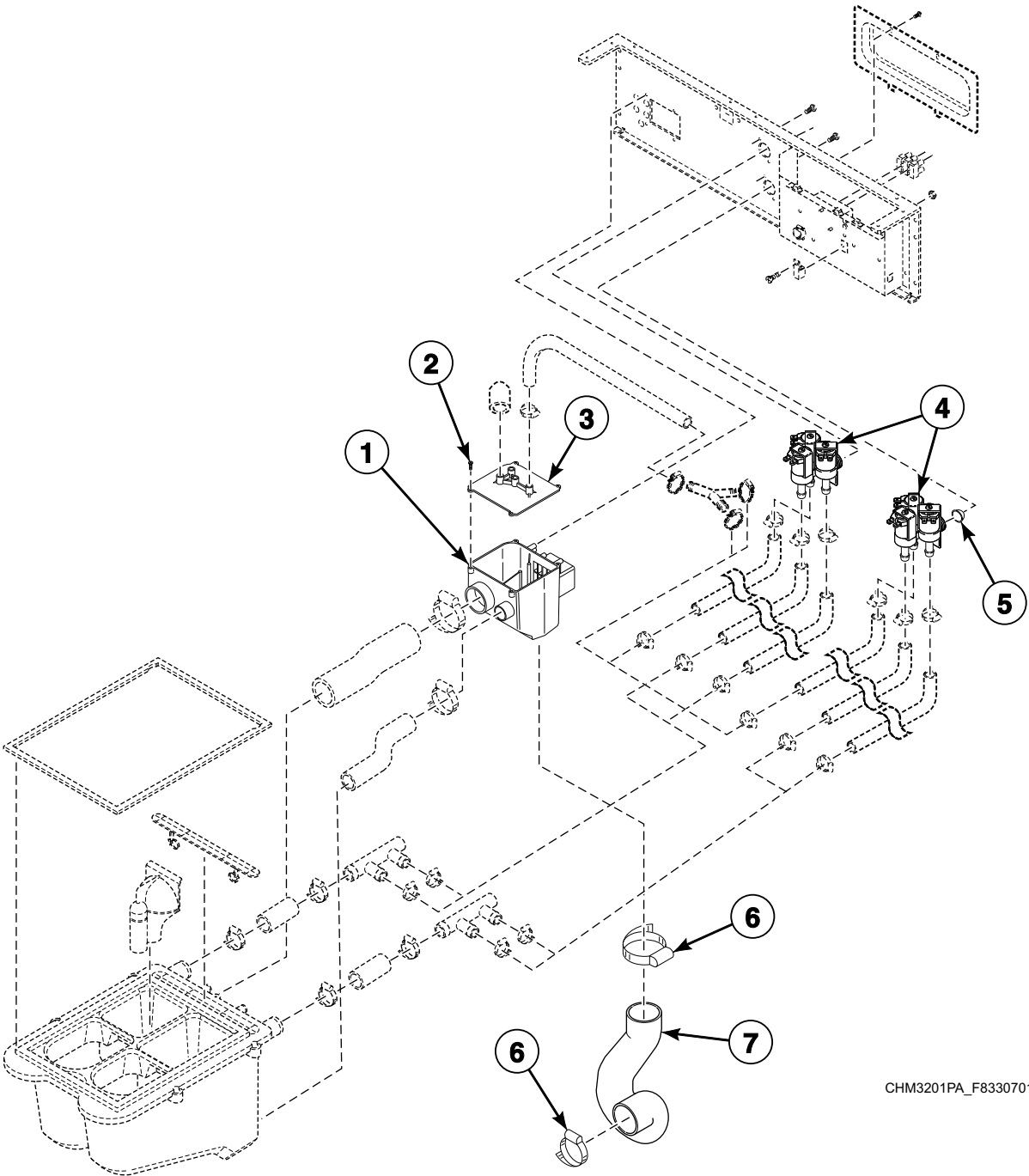


CHM3201P_F8330701

Fill Plumbing Assembly (Drawing 1 of 2)

REF	PART NO.	DESCRIPTION	COMMENTS
1	F8047401	Dispenser Assembly	
2	F8047901	Siphon Cover	
3	F8308301	Dispenser Gasket	
4	F8047801	Access Cover	
5	F8043401	Dispenser Overflow Hose	20 pound models
	F8043403	Dispenser Overflow Hose	30 pound models
	F8043404	Dispenser Overflow Hose	40 pound models
	F8043405	Supply Overflow Hose	60 pound models
6	F8042801	Vacuum Supply Hose	20 pound models
	F8042803	Vacuum Supply Hose	30 pound models
	F8042804	Vacuum Supply Hose	40 pound models
	F8042805	Vacuum Supply Hose	60 pound models
7	F200213	Hose Clamp	No. 40
8	F8197701	Vinyl Cap	
9	F0200244-01	Vacuum Breaker Hose	60 pound models
	F0200244-02	Vacuum Breaker Hose	All other models
10	F8039901	Valve Panel	20 pound Design 1 models
	F8017501	Valve Panel	30 pound Design 1 models
	F8039601	Valve Panel	40 pound Design 1 models
	F8039801	Valve Panel	60 pound Design 1 models
	F8398701	Valve Panel	20 pound Design 2 models
	F8398801	Valve Panel	30 pound Design 2 models
	F8398901	Valve Panel	40 pound Design 2 models
	F8399001	Valve Panel	60 pound Design 2 models
11	F8230301	Screw	
12	F8206901	Screw	
13	F8177001	Terminal Tray Cover	
14	430642	Terminal Block	Includes screws
15	F430232	Nut	
16	M411283	Ground Lug Connector	
17	F430909	Screw	
18	36801	Hose Clamp	No. 8
19	F422816	Y Connector	
20	F8232004	Hose	20 pound models
	F8232001	Hose	30 pound models
	F8232002	Hose	40 and 60 pound models
21	20211	Hose Clamp	No. 17
22	F8333201	Manifold	
23	F200222	Hose Clamp	No. 12
24	F606816-1	Hose	

Fill Plumbing Assembly (Drawing 2 of 2)

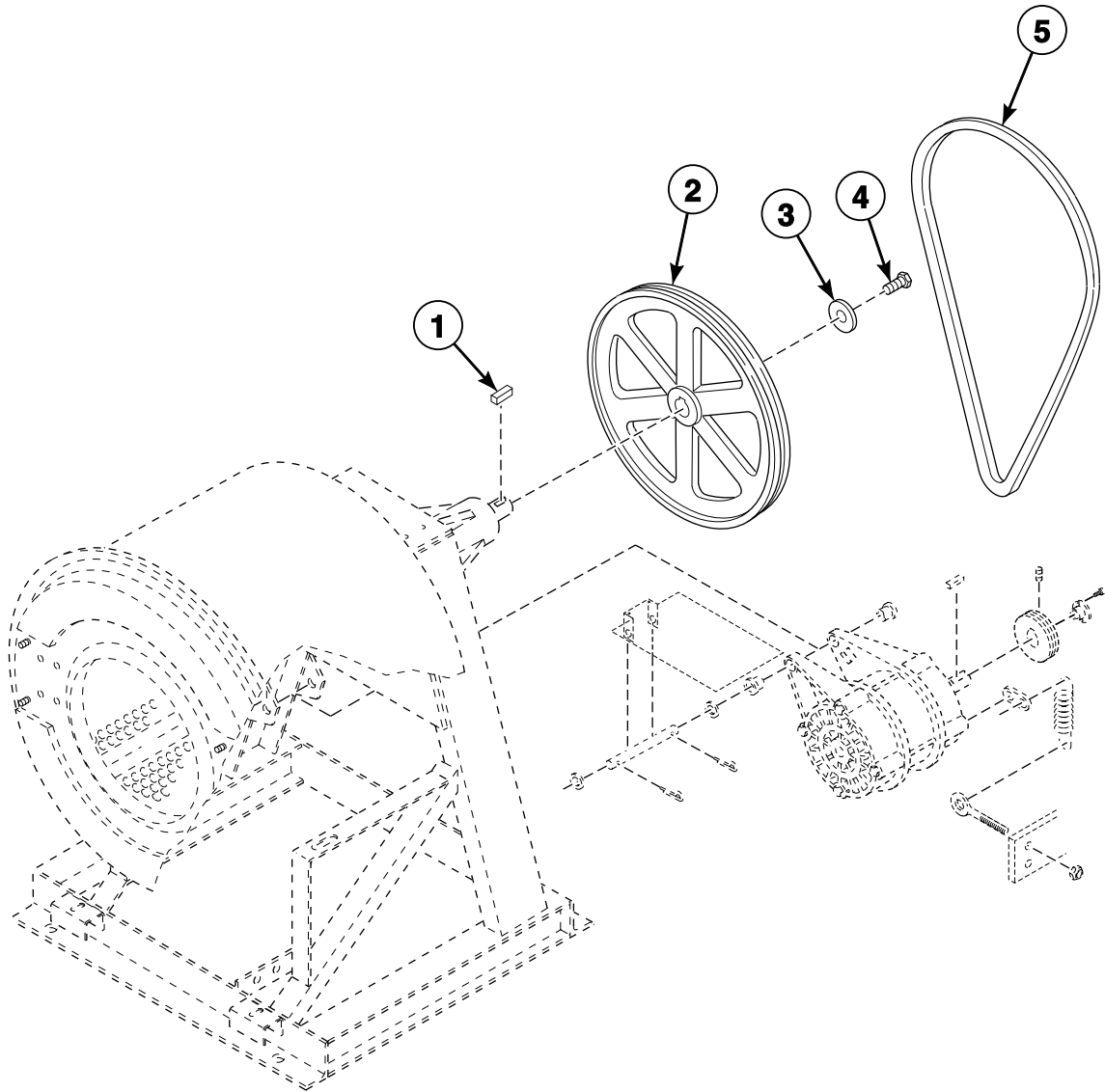


CHM3201PA_F8330701

Fill Plumbing Assembly (Drawing 2 of 2)

REF	PART NO.	DESCRIPTION	COMMENTS
1	F8048601	Vacuum Breaker Assembly	Includes items 3 and 5
2	800548	Screw	
3	F8048501	Vacuum Breaker Cover	
4	F8286401P	3-Way Valve	240 Volt/50 or 60 Hertz; U.S.
	F8286402P	3-Way Valve	240 Volt/50 or 60 Hertz; Metric
5	803615	Washer	Filter
6	F200213	Hose Clamp	No. 40
7	F8042201	P-Trap Hose	20 pound models
	F8042202	P-Trap Hose	30 and 40 pound models
	F8042301	P-Trap Hose	60 pound models

Pulley and Belt - Design 1 Models (Drawing 1 of 3)

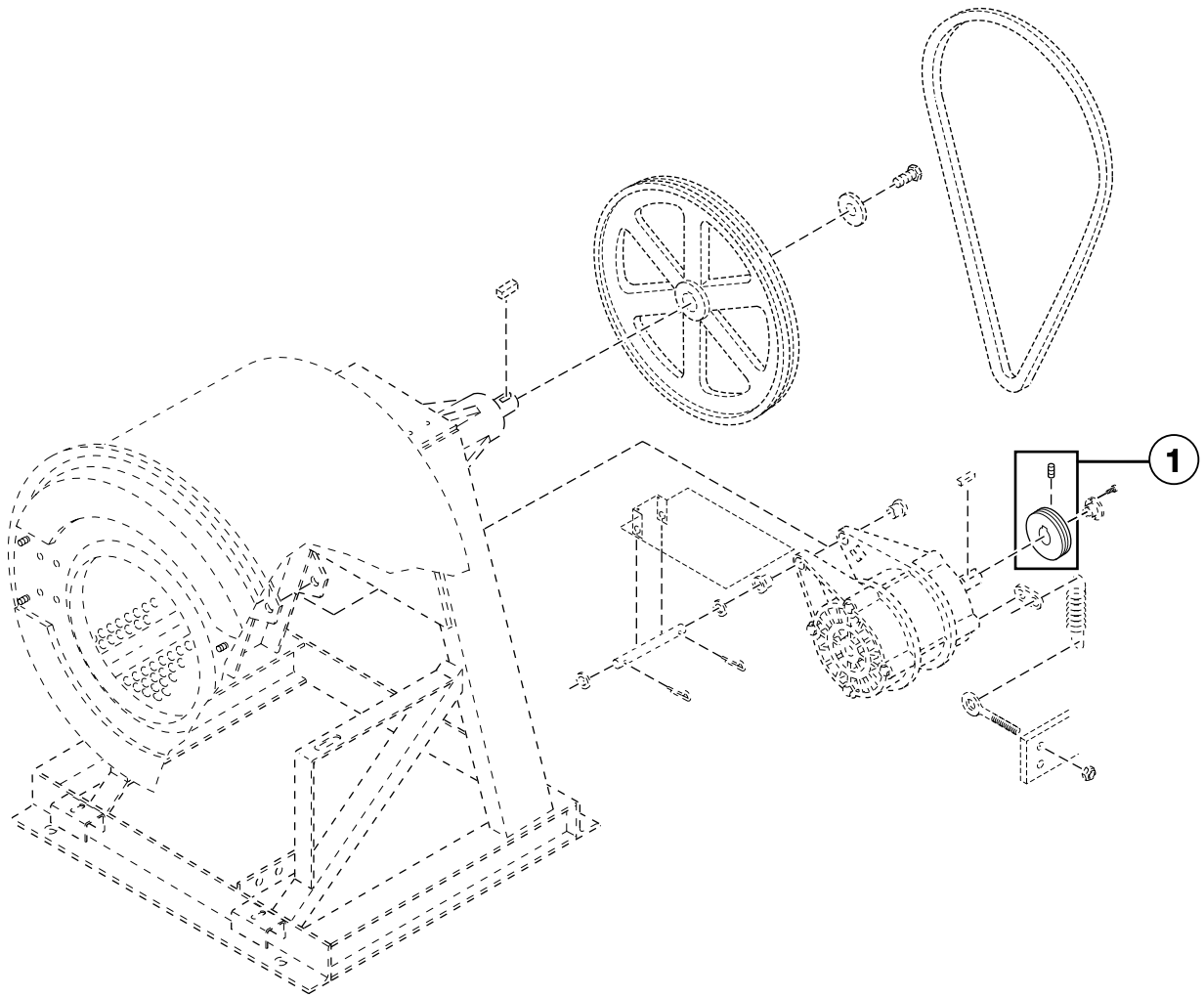


CHM3050P_F8330701

Pulley and Belt - Design 1 Models (Drawing 1 of 3)

REF	PART NO.	DESCRIPTION	COMMENTS
1	F430801	Key	
2	F280170	Sheave Pulley	20 pound models; 13V1800
	F280172	Sheave Pulley	30 pound models; 13V2200
	F280197	Pulley	40 pound models; 23V2200
	F200299700	Basket Pulley	60 pound models; X-voltage
	F280173	Pulley	60 pound models; All other voltages; 23V2400
3	F431115	Washer	
4	F430100	Screw	
5	F280343	Belt	3V730; 20 pound 2 speed models; C and O-voltage
	F280337	Belt	3V710; 20 pound 2 speed models; B, O and Y-voltage
	F280370	Belt	690J4; 20 pound F and V-speed models; X-voltage
	F280321	Belt	3V800; 30 pound 2 speed models; C, F, O and Y-voltage
	F280368P	Belt	785J4; 30 pound F and V-speed models; X-voltage
	F280341	Belt	3V850; 40 pound 2 speed models; C-voltage
	F280342	Belt	3V830; 40 pound 2 speed models; F, O and Y-voltage
	F280369P	Belt	820J6; 40 pound F and V-speed models; X-voltage
	F280373	Belt	3V90.65; 60 pound 2 speed models; C-voltage
	F280304	Belt	3V900; 60 pound 2 speed models; F, O and Y-voltage
	F280366P	Belt	870J6; 60 pound F and V-speed models; R and X-voltage

Pulley and Belt - Design 1 Models (Drawing 2 of 3)

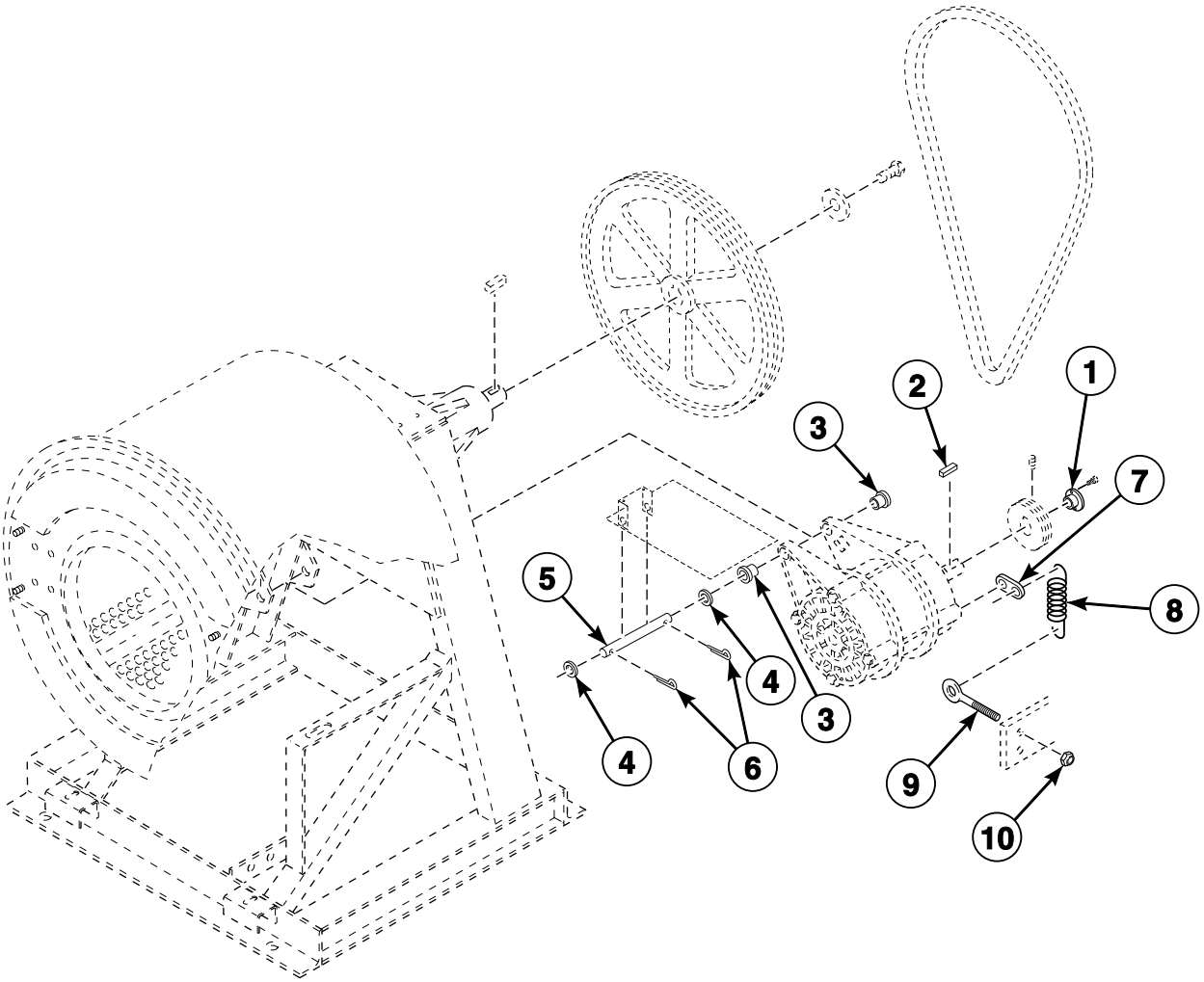


CHM3050PA_F8330701

Pulley and Belt - Design 1 Models (Drawing 2 of 3)

REF	PART NO.	DESCRIPTION	COMMENTS
1	F280427P	Pulley	1GR3V3.15JA; Requires JA bushing; 20 pound 2 speed models; C-voltage
	F280170	Sheave Pulley	1GR3V2.65; 20 pound 2 speed models; B, O and Y-voltage
	H87520334	Sheave	1GR3V3.35JA; Requires JA bushing; 30 pound 2 speed models; C-voltage
	F280284	Pulley	1GR3V2.9; 30 pound 2 speed models; F and O-voltage
	F280281	Motor Pulley	1GR3V3.0; 30 pound 2 speed models; Y-voltage
	F280172	Sheave Pulley	1GRV3V22.00; 30 pound 2 speed models; C, F, O and Y-voltage
	F280197	Pulley	2GRV3V22.00; 40 pound 2 speed models; C, F, O and Y-voltage
	F280105P	Pulley	2GR3V3.35SH; Requires SH bushing; 40 pound 2 speed models; C-voltage
	F0280385-00	Sheave	2GR3V3.00; 40 and 60 pound 2 speed models; F, O and Y-voltage
	F280422P	Pulley	2GR3V3.365SH; Requires SH bushing; 60 pound 2 speed models; C-voltage
	F280287P	Sheave Kit	F and V-speed models; X-voltage
	F280173	Pulley	60 pound 2 speed models; F and O-voltage

Pulley and Belt - Design 1 Models (Drawing 3 of 3)

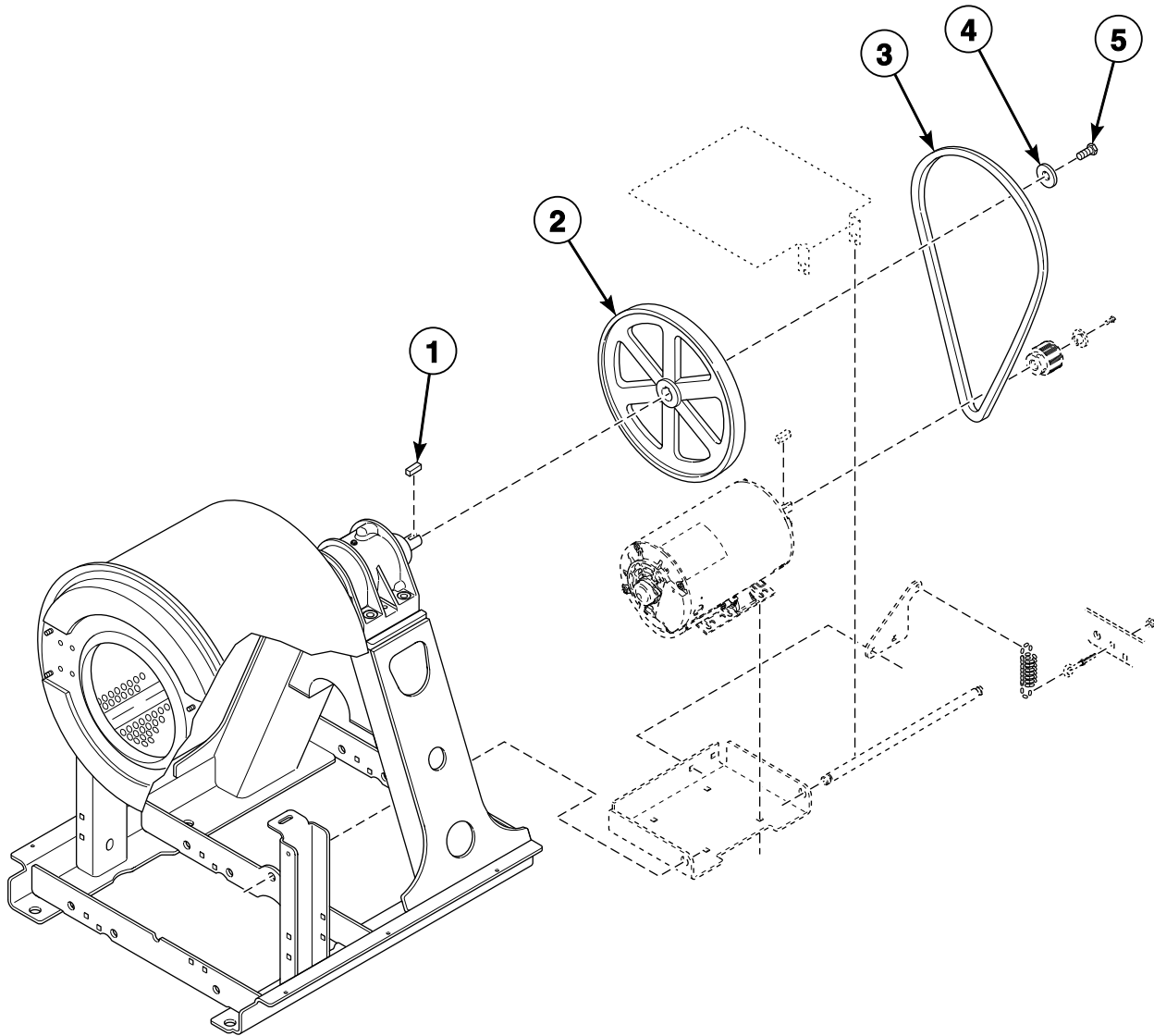


CHM3050PB_F8330701

Pulley and Belt - Design 1 Models (Drawing 3 of 3)

REF	PART NO.	DESCRIPTION	COMMENTS
1	H87529111P	Bushing	JA 5/8; 20 and 30 pound models; C-voltage
	F280298P	Pulley Bushing	JA 7/8; F and V-speed models; Q, R and X-voltage
	M412995P	Bushing	SH 7/8; 40 and 60 pound models; C-voltage
2	F430801	Key	30 pound models
	F430802	Key	All other models
3	F200186100	Motor Support Bushing	
4	901690	Washer	
5	F602844	Motor Support Rod	20 pound models; 30 pound models except X-voltage
	F603059	Motor Support Rod	30 pound models X-voltage; 40 pound models
	F603897	Motor Support Rod	60 pound models
6	F430401	Cotter Pin	
7	F633374	Spring Clip	
8	F310148	Tension Spring	40 and 60 pound models; X-voltage
	F310124	Extension Spring	40 and 60 pound models except X-voltage; All other models
9	F430537	Screw	40 and 60 pound models; X-voltage
10	F430218	Nut	

Pulley and Belt - Design 2 Models (Drawing 1 of 2)

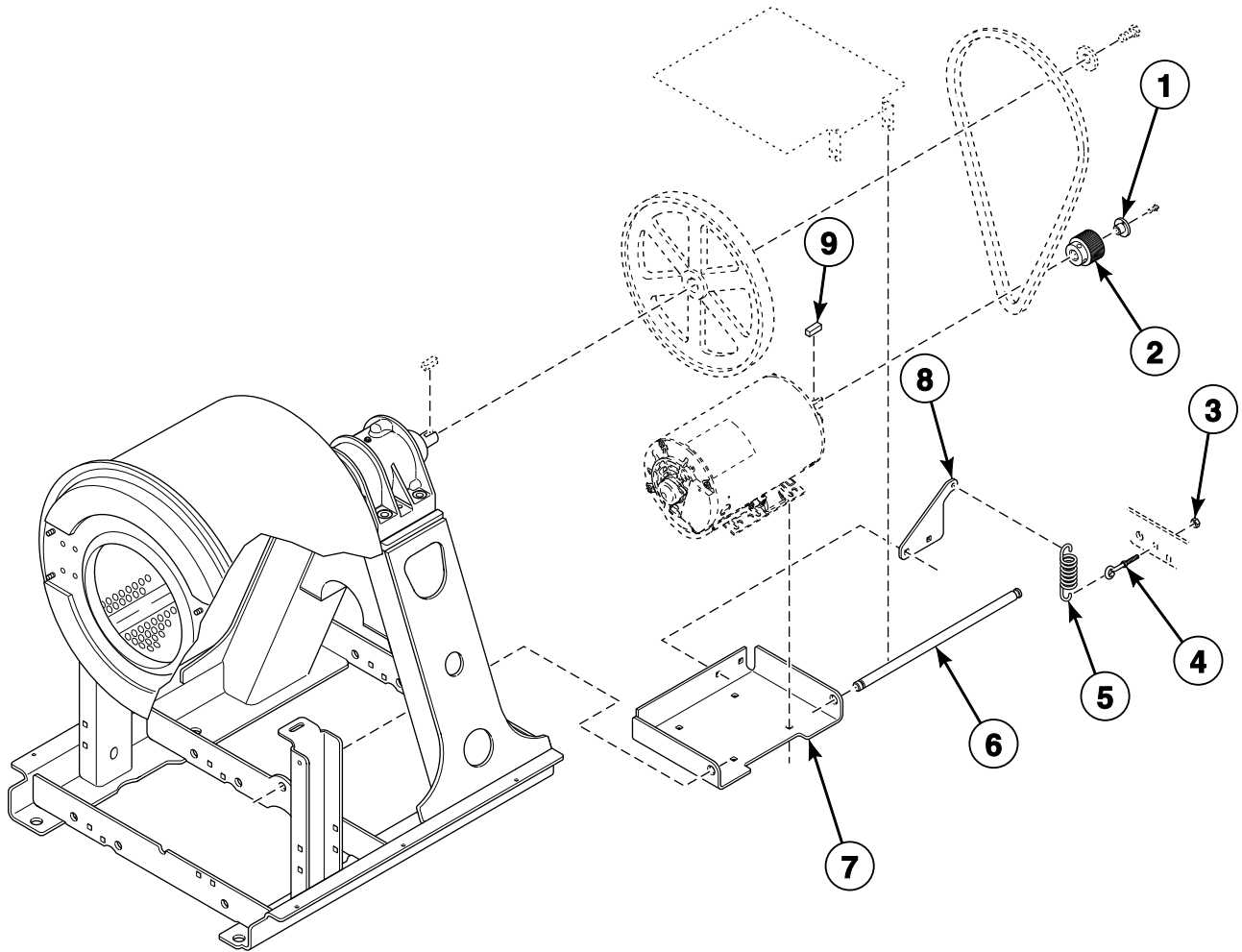


CHM3203P_F8330701

Pulley and Belt - Design 2 Models (Drawing 1 of 2)

REF	PART NO.	DESCRIPTION	COMMENTS
1	F430801	Key	
2	F150270	Basket Pulley	20 pound models
	F150269	Basket Pulley	30 and 40 pound models
	F200299700	Basket Pulley	60 pound models
3	F8382801	Belt	20 pound models; B, Q and X-voltage
	F200201700P	Belt	20 pound models; N and P-voltage
	F8382803	Belt	30 pound models
	F8382804	Belt	40 pound models
	F8382805	Belt	60 pound models
4	F431115	Washer	
5	F430100	Screw	

Pulley and Belt - Design 2 Models (Drawing 2 of 2)

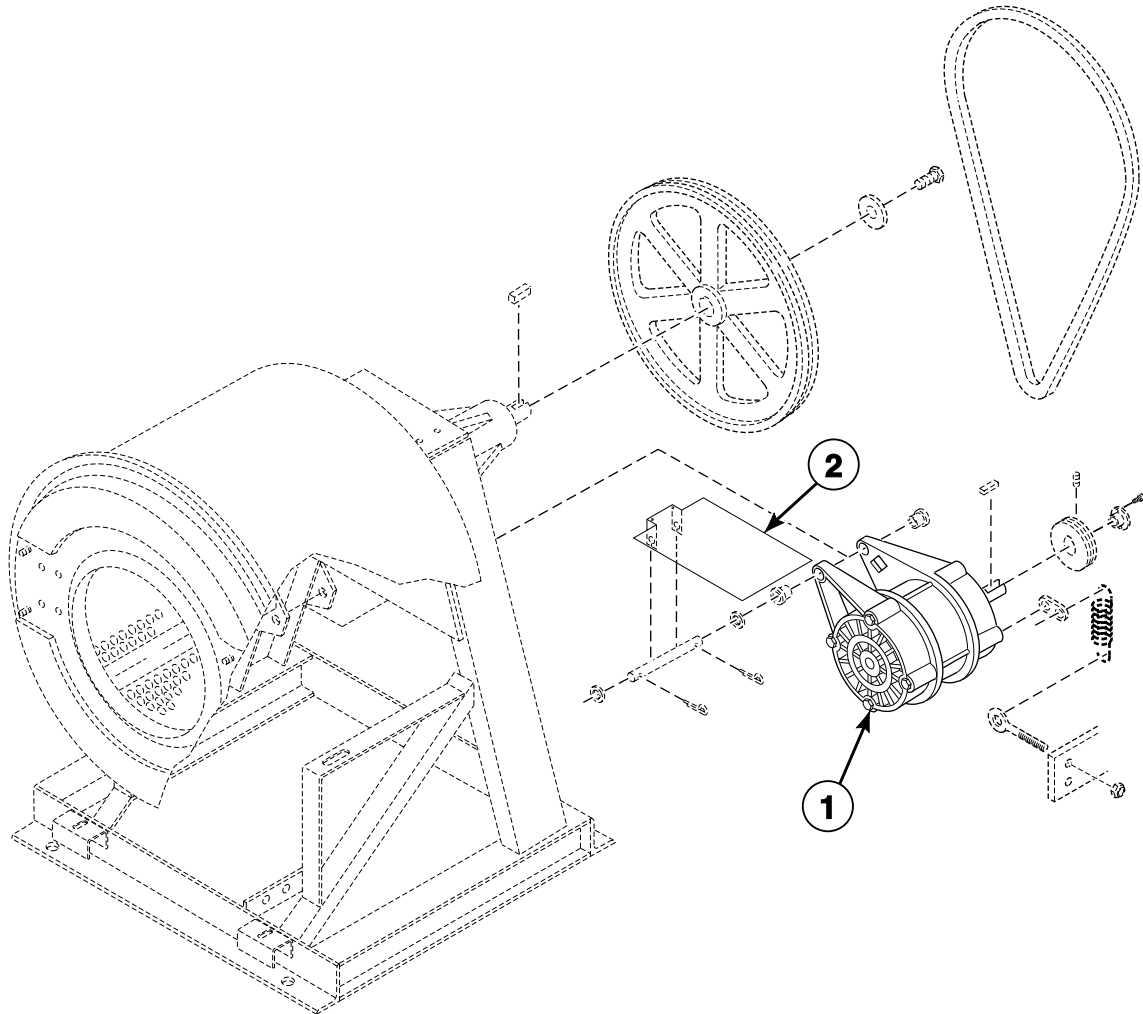


CHM3203PA_F8330701

Pulley and Belt - Design 2 Models (Drawing 2 of 2)

REF	PART NO.	DESCRIPTION	COMMENTS
1	F8333301	Flanged Bushing	
2	F8362501	Motor Pulley	20 pound models N and P-voltage; 30, 40 and 60 pound models
3	F430218	Nut	
4	F8404501	Eye Bolt	
5	F310124	Extension Spring	
6	F8441401	Motor Support Rod	20 and 30 pound models
	F8441402	Motor Support Rod	40 and 60 pound models
7	F8247701	Motor Bracket	20 and 30 pound models
	F8247702	Motor Bracket	40 and 60 pound models
8	F8363901	Spring Plate	
9	F430801	Key	30 pound models

Motor - Design 1 Models



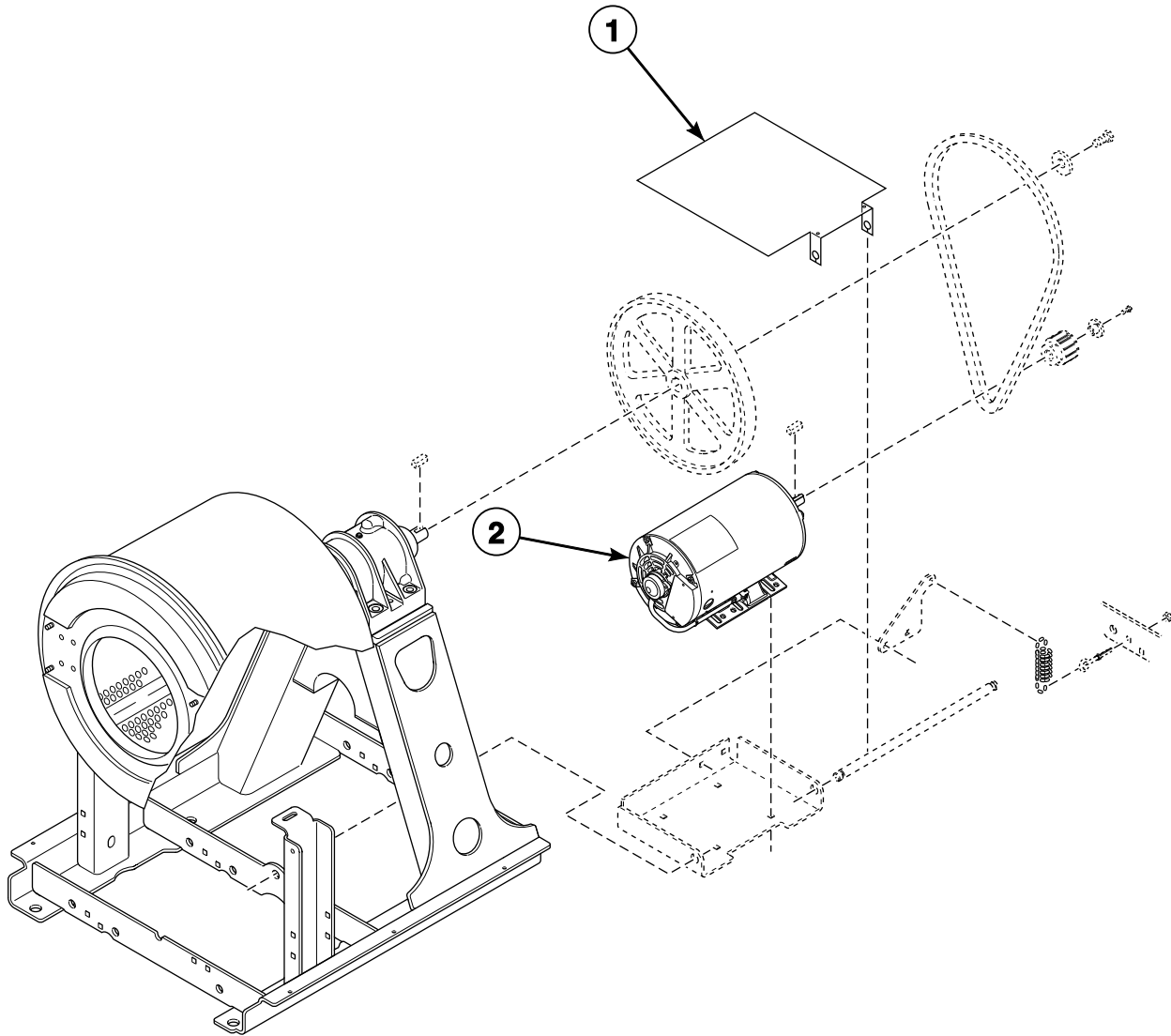
CHM3050PC_F8330701

Motor - Design 1 Models

REF	PART NO.	DESCRIPTION	COMMENTS	
1	F8329601P	Motor	20 pound 2 speed models; Replaces F220110 Motor; B-voltage; Includes motor support bushing	
	F8329401P	Motor	20 pound 2 speed models; Replaces F022032500P and F220325-H Motors; C and F-voltage; Includes motor support bushing	
	F8329301P	Motor	20 pound 2 speed models; Replaces F022039600 and F220396-H Motors; J, K and O-voltage; Includes motor support bushing	
	F8328901P	Motor Conversion Kit	20 pound F and V-speed models; Replaces F220393 Motor; X-voltage; Includes motor support bushing; **	
	F022012800P	Motor	20 pound 2 speed models; Use with F220128-H Motor; Y-voltage; Includes F200186100 Motor Support Bushing	
	F8329801P	Motor	30 pound 2 speed models; Replaces F022038800 and F220388-H Motors; C and F-voltage; Includes motor support bushing	
	F8329701P	Motor	30 pound 2 speed models; Replaces F022038700 and F220387-H Motors; J, K and O-voltage; Includes motor support bushing	
	F8329001P	Motor Conversion Kit	30 pound F and V-speed models; Replaces F220395 Motor; X-voltage; Includes motor support bushing; **	
	F8329001	Motor	30 pound F and V-speed models; Models that have been converted with F8329001P Motor Conversion Kit or models starting 3/3/10; X-voltage; Includes motor support bushing	
	F8329901P	Motor	30 pound 2 speed models; Replaces F022012400 and F220124-H Motors; Y-voltage; Includes motor support bushing	
	F8330101P	Motor	40 pound 2 speed models; Replaces F022032600 and F220326-H Motors; C and F-voltage; Includes motor support bushing	
	F8330001P	Motor	40 pound 2 speed models; Replaces F0220321-00 Motor on models through 7/25/10; All other models starting 7/26/10; O-voltage; Includes motor support bushing	
	F8330201P	Motor	40 pound 2 speed models; Replaces F0220120-01P Motor on models through 12/31/10; All other models starting 1/1/11; Y-voltage; Includes motor support bushing	
	F8329101P	Motor Conversion Kit	40 pound F and V-speed models; Replaces F220394 Motor; X-voltage; Includes motor support bushing; **	
	F8329101	Motor	40 pound F and V-speed models; Models that have been converted with F8329101P Motor Conversion Kit or models starting 6/21/10; X-voltage; Includes motor support bushing	
	F8330301P	Motor	60 pound 2 speed models; Replaces F022032200 Motor; O-voltage; Includes motor support bushing	
	F8329201P	Motor Conversion Kit	60 pound F and V-speed models; Replaces F220234 Motor; X-voltage; Includes motor support bushing; **	
	F8329201	Motor	60 pound F and V-speed models; Models that have been converted with F8329201P Motor Conversion Kit or models starting 9/16/10; X-voltage; Includes motor support bushing	
	2	F200216900	Motor Drip Shield	20 and 30 pound 2 speed models; 40 pound 2 speed models except Y-voltage; 60 pound F and V-speed models
		F200280700	Motor Drip Shield	40 pound models Y-voltage; 60 pound 2 speed models

**** NOTE: AC drive parameters must be compatible with the motor and motor pulley. Please request the AC drive parameter illustration for parameter verification when ordering a motor.**

Motor - Design 2 Models

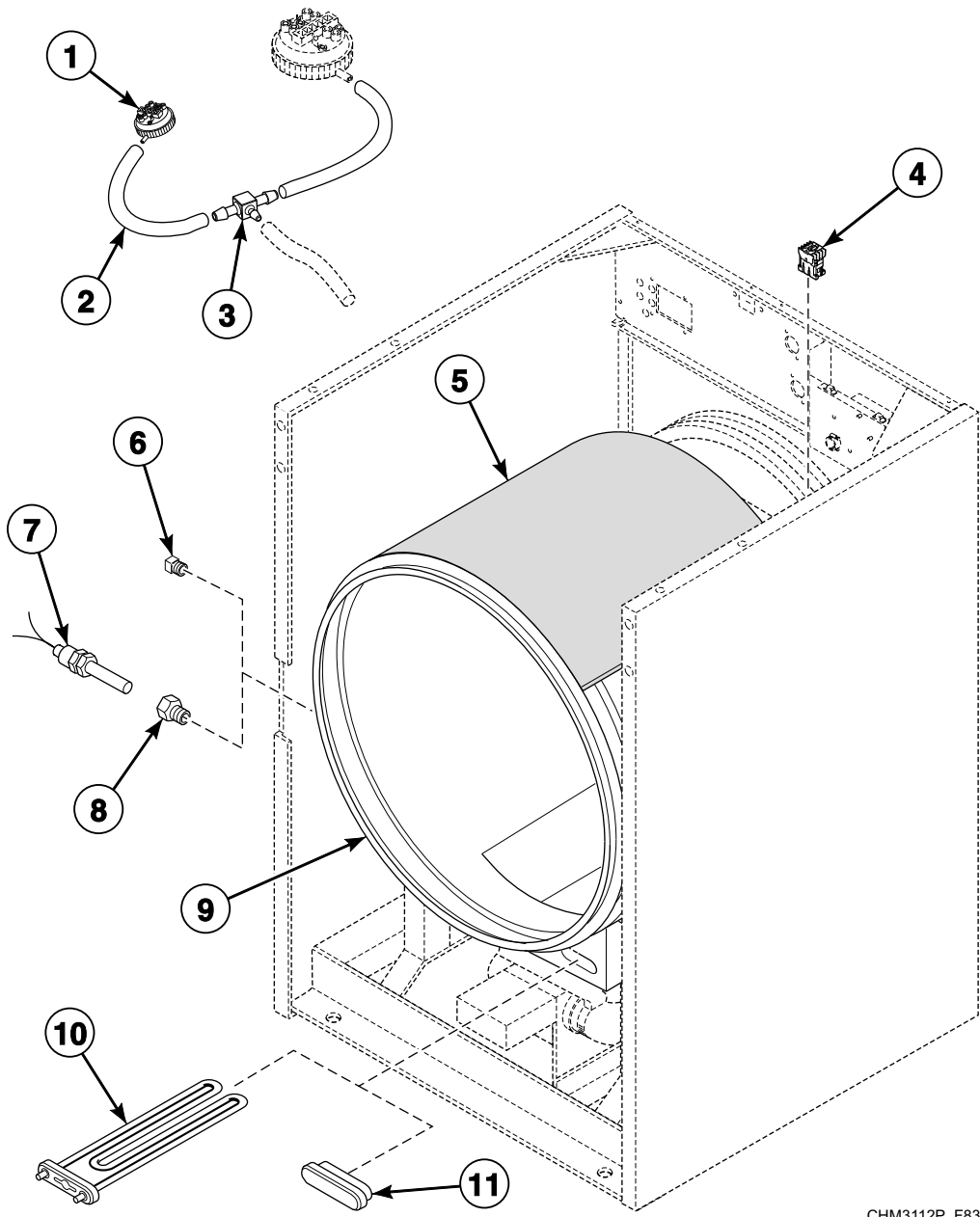


CHM3203PB_F8330701

Motor - Design 2 Models

REF	PART NO.	DESCRIPTION	COMMENTS
	52549	Washer	
1	F200216900	Motor Drip Shield	
2	801194P	Induction Motor	20 pound models; B, Q and X-voltage
	F8335001	Motor	20 pound models N and P-voltage; 30 and 40 pound models
	F8335101	Motor	60 pound models

Electric Heat Option

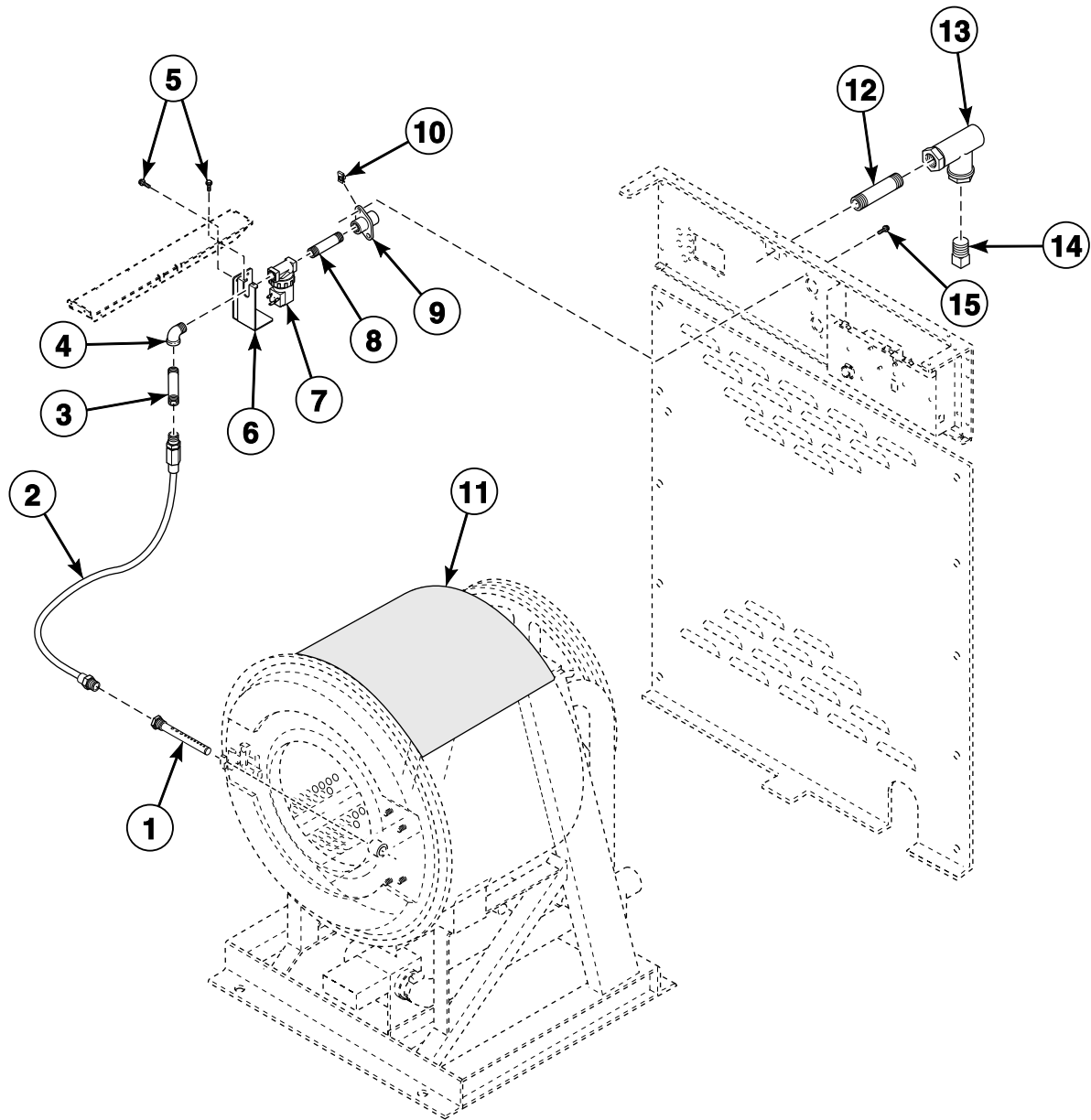


CHM3112P_F8330701

Electric Heat Option

REF	PART NO.	DESCRIPTION	COMMENTS
1	F8223001P	Water Pressure Switch	Heat safety; Design 1 models
	F8404401	Water Pressure Switch	Design 2 models
2	F8153901	Tubing	
3	F8246601	Tee	
4	F330188P	Contactora	
5	F410300	Pipe Insulation	
6	F421507	Plug	
7	F370609	Thermistor Sensor	
8	F421936	Reducer Bushing	
9	F8179602	Shell Weldment	
10	F360205P	Element	2.6 kW; 3 used in 20 and 30 pound models; 6 used in 40 and 60 pound models
11	F360202	Heating Element Plug	

Steam Heat Option



CHM3095P_F8330701

Steam Heat Option

REF	PART NO.	DESCRIPTION	COMMENTS
	F953P3	Steam Heat Kit	Includes items 1-10, 12, 14-15 and harness
	F380984P	Steam Valve Repair Kit	Use with item 7
1	F603131	Steam Injector Tube Assembly	
2	F200197	Steam Hose	
3	F8110601	Nipple	60 pound models
4	H86070034	Street Elbow	
5	430497	Screw	
6	F8212001	Steam Bracket	
7	F380787P	Steam Valve	220 Volt
8	70263801	Pipe Nipple	
9	F8154501	Coupling	
10	70030401	Nut	
11	F410300	Pipe Insulation	
12	431486	Pipe Nipple	
13	F270307	Steam Filter	
14	F420409	Plug	
15	20253	Screw	

Parts Index

A

Access Cover	
F8047801	73
Air Trap Hose	
F020014200	13, 15, 17, 19, 21, 23
Auxiliary Control Assembly	
F8189401	13, 15, 17

B

Basket Assembly	
F8336301P	51
F8336501P	51
F8347801P	51
F8347901P	51
F8391301	57
F8391501	57
F8391701	57
F8391901	57
Basket Pulley	
F150269	83
F150270	83
F200299700	77, 83
Basket Rental Tool Kit	
390P4	51, 57
Basket Tool Kit	
389P4	51, 57
Bearing	
F100108	53, 59
F100123P	53, 59
F100134	53, 59
F100135	53, 59
F100136P	53, 59
F100137P	53, 59
Bearing Housing Assembly	
F8271601	59
F8271701	59
F8271801	59
F8271901	59
Bearing Sleeve	
F8221701	47
Belt	
F200201700P	83
F280304	77
F280321	77
F280337	77
F280341	77
F280342	77
F280343	77
F280366P	77
F280368P	77
F280369P	77
F280370	77
F280373	77
F8382801	83
F8382803	83
F8382804	83
F8382805	83
Blind Rivet	
F8245101	47

Bolt	
F200182700	67, 69
F8230501	43
F8270701	49
Bracket	
F8365401	65
F8365402	65
F8434601	65
F8434701	65
Bushing	
H87529111P	81
M412995P	81

C

Capacitor	
F370218P	13, 19
F370220	13, 19
F370221	13, 19
F8411701	13, 19
F8411801	13, 19
F8411901	13, 19
Capacitor Tray Assembly	
F8199601	13, 19
F8199901	13, 19
Card Plate Assembly	
F8201501	31
Card Reader and Bracket Assembly	
510068P	31
Card Reader Harness	
F141887	31
Card Reader Overlay	
70334301	31
Coin Box	
F160672	33
Coin Chute	
F8170801	19, 21, 23
Coin Drawer Assembly	
F8182001	33
Coin Drop	
70256402P	27
70441601P	25
Coin Drop Assembly	
210195	27
210196	27
38462P	25
38463	25
38464P	25
38472	27
38521	27
39157	27
70281102	27
Coin Identification Paper	
38725	25, 27, 29
Coin Meter	
F0160737-00	27
Coin Meter Assembly	
F200010000P	25
F200010001	27
F200010002	27
F200010003	27

N/A items do not appear in index.

F200010004	27
F200010005	27
F200010006	25
F200010007	25
F200010008	27
F200010009	25
F200010010	27
F200010011	25
F200010012	25
F200021600P	29
F200021601	29
F200021602	29
F200021603	29
F200021604	29
F200021605	29
F8238601	29
Coin Vault Assembly	
F8182501	19, 21, 23
F8182601	19, 21, 23
Contact Block Switch	
F200233401	13, 15, 17
Contact Switch	
F8069501	13, 15, 17
Contactors	
F330177P	13, 19
F330188P	91
Contactors Tray Assembly	
F8343401	13, 19
Control Assembly Kit	
F980P3	13, 15, 17, 19, 21, 23
Control Kit	
F996P3	19, 21
F997P3	13, 15
F998P3	13, 15
Control Panel Assembly	
F8038502	35
F8038504	37
F8038602	35
F8038604	37
F8038702	35
F8038704	37
F8038802	35
F8038804	37
Control Panel Overlay	
F8224301	41
F8224401	41
F8224501	41
F8224601	41
F8224801	41
F8224901	41
F8225001	41
F8225101	41
F8294001	39
F8294002	39
F8294003	39
F8294101	39
F8294102	39
F8294103	39
F8294201	39
F8294202	39
F8294203	39
F8294301	39
F8294302	39
F8294303	39
F8294501	41
F8294601	41
F8294701	41

F8294801	41
F8443701	41
F8443901	39
F8443902	39
F8443903	39
F8444001	39
F8444002	39
F8444003	39
F8444101	39
F8444102	39
F8444103	39
F8444201	39
F8444202	39
F8444203	39
Control Tray Assembly	
F8205901	13
F8205902	15, 19, 21
F8205903	15, 19, 21
F8359701	17
F8359702	23
F8359703	17
F8359704	23
Cotter Pin	
F430401	81
Coupling	
F8154501	93

D

DIN Rail	
F8200101	13, 19
Dispenser Assembly	
F8047401	73
Dispenser Gasket	
F8308301	73
Dispenser Lid	
F8048101	43
Dispenser Overflow Hose	
F8043401	73
F8043403	73
F8043404	73
Door	
F0602431-02	47
F0602837-02	47
F602842-2	47
Door Assembly	
F8187201	47
F8187203	47
F8187301	47
F8187303	47
F8187401	47
F8187403	47
Door Bezel	
F0170426-00	35, 37
F0170426-10	35, 37
F0170426-30	35, 37
F170416-1	35, 37
F170416-2	35, 37
F170416-3	35, 37
F170417-1	35, 37
F170417-3	35, 37
Door Gasket	
F170124	47
F20000200	47
F8111601	47

N/A items do not appear in index.

Door Glass	
F290208P	47
F8341701	47
F8341801P	47
F8341901	47
Door Glass Kit	
F290205P	47
F290207P	47
Door Handle	
F8199401P	47
F8199501	47
Door Handle Spacer	
F8223701	47
Door Hinge	
F190216P	47
Door Hinge Shim	
F200131000	47
Door Latch Arm Assembly	
F8221401	47
Door Lock Assembly	
F8197101	49
F8340501	49
Door Lock Catch	
F8223601	49
F8344501	49
Door Lock Cover	
F8245001	49
Door Lock Microswitch	
F200203200	49
Door Lock Plate Assembly	
F8223201	49
F8223202	49
Door Lock Plate Shim	
F8059701	49
F8344401	49
Door Lock Solenoid Replacement Kit	
F977P3	49
Door Lock Splash Shield	
F320200	49
Door Lock Switch Lever	
F8223401	49
Door Mount	
F150271	47
Drain Connect Tee	
F150318	63, 65
Drain Hose	
F8231901	63
F8231902	63
F8232901	63, 65
F8233001	63
F8233101	63
F8233102	63
F8261302	65
F8261303	65
F8464701	65
Drain Tee	
F150398	63, 65
Drain Valve	
F8406307	69
Drain Valve Cover	
F200133600	67, 69
Drain Valve Kit	
F200166400	69
F200166402	69

Drain Valve Motor	
F380933P	67, 69
Drain Valve Motor and Gear Box Assembly	
G159764P	67, 69
Drive Assembly	
F8204701	17, 23
F8303601	17, 23
F8327301	17, 23
Drive Mounting Bracket	
F8322401	17, 23

E

Earth Terminal Sticker	
M412096	11
Electric Shock Danger Label	
F8115501	11
Electronic Coin Drop Assembly	
70294103P	29
70294104	29
70294105P	29
70294106	29
70294107	29
70294109	29
70294111	29
70294119	29
Electronic Coin Drop Kit	
CK099	29
CK100	29
CK101	29
CK103	29
CK106	29
CK109	29
CK110	29
CK113	29
CK115	29
CK119	29
CK500	29
Element	
F360205P	91
Emergency Stop Harness	
F8060501	13, 15, 17
Emergency Stop Plate	
F8201301	13, 15, 17
Emergency Stop Pushbutton	
F200233500	13, 15, 17
EMI Filter	
F8053901P	15, 17, 21, 23
F8053902	15, 17, 21, 23
Excluder Seal	
F8336801	51, 57
F8336901	51, 57
F8337001	51, 57
F8337101	51, 57
Expansion Clip	
70030501	13, 15, 17, 19, 21, 23, 35, 37
Extension Spring	
F310124	81, 85
External Door Lock Harness	
F8340001	49
External Supply Connection Decal	
F8150201	11
External Supply Harness	
F8191201P	13, 15, 17

N/A items do not appear in index.

External Supply Kit	
F937P3	13, 15, 17
Eye Bolt	
F8404501	85

F

Fill Hose	
223/00049/10P	71
Flanged Bushing	
F8333301	85
Frame Weldment	
F8195901	55
F8196001	55
F8196101	55
F8199101	55
F8247001	61
F8248001	61
F8249001	61
F8250001	61
Front Cabinet Brace	
F8173801	35, 37
F8173901	35, 37
F8174001	35, 37
Front End Control Kit	
F115P3	17
F116P3	17
F118P3	23
F120P3	17
F121P3	17
Front Panel	
F8171301	35
F8171302P	37
F8173001	35
F8173002P	37
F8173101P	35
F8173102P	37
F8173201P	35
F8173202P	37
Fuse	
802493	13, 15, 17, 19, 21

G

Gravity Drain Valve	
803292	67
Ground Decal	
F230739	11
Ground Lug Connector	
M411283	73

H

Harness	
F631973-2	31
Heating Element Plug	
F360202	91
Hose	
F606816-1	73
F8232001	73
F8232002	73
F8232004	73

Hose Clamp	
F200201	63, 65
F200213	63, 65, 73, 75
F200215	63, 65
F200222	13, 15, 17, 19, 21, 23, 73
20211	73
36801	73
Hot Surface Warning Plate	
F8211901	11

I

Induction Motor	
801194P	89
Interlock Contactor	
F330186P	13, 19

J

Jumper Configuration Assembly	
M413507	13, 15, 17, 19, 21, 23
Jumper Harness Assembly	
M413506	13, 15, 17, 19, 21, 23

K

Key	
F160420	33
F430801	77, 81, 83, 85
F430802	81
70155603	43

L

Left Side Panel	
F8042902P	45
F8043102P	45
F8043202P	45
F8043302P	45
F8399202	45
F8399302	45
F8399402	45
F8399502	45
Lid Clamp	
F8091701	43
Lower Cabinet Brace	
F8174101	35, 37

M

Machine Size Configuration Harness	
F8028101P	13, 15, 17, 19, 21, 23
F8028103P	13, 15, 17, 19, 21, 23
F8028104P	13, 15, 17, 19, 21, 23
F8028105P	13, 15, 17, 19, 21, 23
Magnet	
F8390801	47
Manifold	
F8333201	73

N/A items do not appear in index.

Motor	
F022012800P	87
F8329001	87
F8329101	87
F8329201	87
F8329301P	87
F8329401P	87
F8329601P	87
F8329701P	87
F8329801P	87
F8329901P	87
F8330001P	87
F8330101P	87
F8330201P	87
F8330301P	87
F8335001	89
F8335101	89
Motor Bracket	
F8247701	85
F8247702	85
Motor Conversion Kit	
F8328901P	87
F8329001P	87
F8329101P	87
F8329201P	87
Motor Drip Shield	
F200216900	87, 89
F200280700	87
Motor Pulley	
F280281	79
F8362501	85
Motor Support Bushing	
F200186100	81
Motor Support Rod	
F602844	81
F603059	81
F603897	81
F8441401	85
F8441402	85
Motor Switch	
F340002	13, 19
Mount on Concrete Warning Label	
F8246401	11
Mounting Plate	
70208801	31

N

Nipple	
F8110601	93
Nut	
F430215	47, 51, 57, 63, 65
F430218	55, 61, 81, 85
F430225	49
F430232	13, 15, 17, 19, 21, 23, 47, 49, 73
F430239	53
F430240	53
F430264	49
F431017	13, 15, 17
F431022	47
24205	13, 15, 17
685846	25, 27, 29
70030401	93

O

Opto Coupler	
200674P	25, 27
Output/Logic Harness	
F8028701	13, 15, 17, 19, 21, 23
Overflow Hose	
F0200238-00	63
F150308	63
F150417	63
F8337701	63
F8367201	65
F8367901	65
F8368001	65
Overlay	
70295301	29
Overload Contactor	
F8176101P	13, 19

P

Panel Lock	
44089303P	43
Pipe Insulation	
F410300	91, 93
Pipe Nipple	
431486	93
70263801	93
Plug	
F420409	93
F421507	91
Pop Rivet	
70058501	13, 19, 21, 23, 25, 27
PowerFlex 40 Drive	
F8169401	15, 21
F8169402	15, 21
F8169403	15, 21
F8169404	15, 21
F8169405	15, 21
F8169406	15, 21
F8169407	15, 21
F8169408	15, 21
F8169434	15, 21
F8169435	15, 21
F8169436	15, 21
F8169437	15, 21
F8169438	15, 21
F8169439	15, 21
F8169440	15, 21
F8169441	15, 21
Pressfit Upgrade Kit	
F935P3	51
F936P3	51
F938P3	51
F939P3	51
P-Trap Hose	
F8042201	75
F8042202	75
F8042301	75
Pulley	
F280105P	79
F280173	77, 79
F280197	77, 79
F280284	79

N/A items do not appear in index.

F280422P	79
F280427P	79
Pulley Bushing	
F280298P	81
Pulse Expander Assembly	
F8034701P	29
Pushbutton Switch	
70107001	43, 45

R

Rear Drain Hose	
F8231904	65
F8231905	65
F8365601	65
F8365602	65
Rear Panel	
F8176201P	45
F8176301	45
F8177501P	45
F8177701P	45
F8352801	45
F8362401	45
F8365201	45
F8367101	45
Reducer Bushing	
F421936	91
Reed Switch Assembly	
F8066802	47
Retaining Ring	
F8337801	53, 59
F8337901	53, 59
F8344901	53, 59
F8345001	53, 59
Right Side Panel	
F8042901P	45
F8043101P	45
F8043201P	45
F8043301P	45
F8399201	45
F8399301	45
F8399401	45
F8399501	45
Rod	
F602813-2	47
F602813-3	47

S

Screw	
F430100	77, 83
F430107	63, 65
F430174	31, 35, 37, 43
F430518	51, 57
F430536	47
F430537	81
F430903	13, 15, 17
F430909	73
F430916	47
F430942	55, 61
F430949	55, 61
F430956	49
F430976	47
F430987	55, 61

F8117601	35, 37
F8206901	13, 15, 17, 19, 21, 23, 43, 45, 73
F8230301	73
F8230601	43
20253	93
430497	15, 17, 21, 23, 93
503688	17, 23
800548	75
801019	35

Shaft Seal Sleeve	
F8312001P	51
F8312004P	51
F8312006P	51

Shaft Seal Sleeve Kit	
F8343901P	51, 57
F8343904P	51, 57
F8343906P	51, 57
F8343909P	51, 57

Sheave	
F0280385-00	79
H87520334	79

Sheave Kit	
F280287P	79

Sheave Pulley	
F280170	77, 79
F280172	77, 79

Shell Band Assembly	
F602757	51, 57
F631977	51, 57

Shell Band Gasket	
F200001600P	51, 57

Shell Band Kit	
F741701	51, 57
F741702	51, 57

Shell Front Assembly	
F8229401	51, 57
F8229501	51, 57
F8229601	51, 57
F8229701	51, 57

Shell Weldment	
F8179201	55
F8179202	55
F8179203	55
F8179301	55
F8179302	55
F8179303	55
F8179401	55
F8179402	55
F8179403	55
F8179501	55
F8179502	55
F8179503	55
F8179602	91
F8360601	61
F8360602	61
F8360603	61
F8360701	61
F8360702	61
F8360703	61
F8360801	61
F8360802	61
F8360803	61
F8360901	61
F8360902	61
F8360903	61

Siphon Cover	
F8047901	73

N/A items do not appear in index.

Snap Bushing	
44071501	13, 15, 17, 19, 21, 23
Spacer	
F431901	49
Spring Clip	
F633374	81
Spring Pin	
F431222	47
Spring Plate	
F8363901	85
Steam Bracket	
F8212001	93
Steam Filter	
F270307	71, 93
F270308	71
Steam Heat Kit	
F953P3	93
Steam Hose	
F200197	93
Steam Injector Tube Assembly	
F603131	93
Steam Valve	
F380787P	93
Steam Valve Repair Kit	
F380984P	93
Street Elbow	
H86070034	93
Supply Overflow Hose	
F8043405	73
Support Bracket	
F8195803	15, 17, 21, 23
Switch Clamp	
F0340722-00	13, 19

T

Tee	
F8246601	13, 15, 17, 19, 21, 23, 91
Tension Spring	
F310148	81
Terminal Block	
430642	73
Terminal Tray Cover	
F8177001	73
Thermistor Sensor	
F370609	91
Top Cabinet Brace	
F8043501	43
F8043701	43
F8043801	43
F8043901	43
Top Cover	
F8017401	43
F8040201	43
F8040301	43
F8040401P	43
Top Cover Hinge	
F8258601	43
Top Cover Latch	
F8201001	35, 37
Torsion/Door Lock Spring	
F8070301	49

Transformer	
F360157P	13, 15, 19, 21
201616	13, 15, 17
210019P	13
803527P	15, 17, 19, 21, 23
Transformer Kit	
210019P	23
Triple Lip Seal	
F8203801	53, 59
F8203802	53, 59
F8203803	53, 59
F8203806	53, 59
Trunion Kit	
F747001	53
F747002	53
F747003	53
F747005	53
Tubing	
F8153901	13, 15, 17, 19, 21, 23, 91

U

USB IR Device Assembly	
F8167901	13, 15, 17, 19, 21, 23
Use Copper Conductors Only Caution Label	
F8242201	11

V

Vacuum Breaker Assembly	
F8048601	75
Vacuum Breaker Cover	
F8048501	75
Vacuum Breaker Hose	
F0200244-01	73
F0200244-02	73
Vacuum Supply Hose	
F8042801	73
F8042803	73
F8042804	73
F8042805	73
Valve Panel	
F8017501	73
F8039601	73
F8039801	73
F8039901	73
F8398701	73
F8398801	73
F8398901	73
F8399001	73
Valve, 3-Way	
F8286401P	75
F8286402P	75
Vinyl Cap	
F8197701	73

W

Warning Label	
F8207901	11
F8233501	11
44127701	11

N/A items do not appear in index.

Washer

F430303.....	55, 61
F430317.....	51, 57, 63, 65
F431113.....	47
F431115.....	77, 83
F431128.....	53, 55
F431131.....	53, 55
F431902.....	49
M400081.....	55, 61
52549.....	89
803615.....	71, 75
901690.....	81

Water Hose

F200108P.....	71
F200116.....	71

Water Pressure Switch

F8223001P.....	13, 15, 19, 21, 91
F8404401.....	17, 23, 91

Y

Y Connector

F422816.....	73
--------------	----
