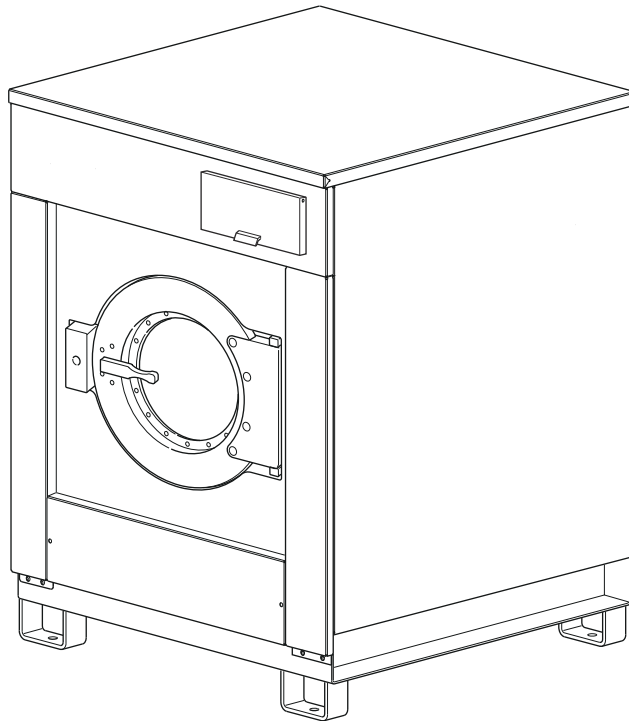


Washer-Extractor

Cabinet Freestanding
Refer to Page 5 for Model Numbers



CFD18C_9001759

Table of Contents

Title	Page
Parts Ordering Information.....	3
Nameplate Location.....	3
Model Identification.....	5
Cabinet Freestanding Washer-Extractor Product Overview - *X Models.....	6
Cabinet Freestanding Washer-Extractor Product Overview - *HF Models.....	8
Frame.....	10
Shock and Spring Assembly.....	12
Shell and Front Panel - *X165 Design 6 Models.....	14
Shell and Front Panel - All Models Except *X165 Design 6 Models.....	16
Bearing Assembly (Drawing 1 of 3).....	18
Bearing Assembly (Drawing 2 of 3).....	20
Bearing Assembly (Drawing 3 of 3).....	22
Basket, Pulley and Belt.....	24
Motor.....	26
Drain Assembly.....	28
Drain Valve - Normally Open.....	30
Drain Valve - Normally Closed.....	32
Door Lock.....	34
Door - *X165 Design 6 Models.....	36
Door - All Models Except *X165 Design 6 Models.....	38
Control Panel - *X Models.....	40
Control Panel - PS40F.....	42
Control Panel - Cygnus Professional.....	44
Control Panel - Cygnus Premium.....	46
Control Module.....	48
Top, Left Side and Front Panels.....	50
Back and Right Side Panels.....	52
Upper Back Panel (Drawing 1 of 5).....	54
Upper Back Panel (Drawing 2 of 5).....	56
Upper Back Panel (Drawing 3 of 5).....	58
Upper Back Panel (Drawing 4 of 5).....	60
Upper Back Panel (Drawing 5 of 5).....	62
Supply Dispenser - Models Through 4/30/2009.....	64
Supply Dispenser - Models Starting 5/1/2009.....	66
Plumbing (Drawing 1 of 3).....	68
Plumbing (Drawing 2 of 3).....	70
Plumbing (Drawing 3 of 3).....	72
Balance Switch.....	74
Soap Pumps.....	76
Spray Pump.....	78
Electric Heating Option.....	80

© Copyright 2012, Alliance Laundry Systems LLC

All rights reserved. No part of the contents of this book may be reproduced or transmitted in any form or by any means without the expressed written consent of the publisher.

Steam Heating Option - *HF165, *HF730 and *X165 Models.....	82
Steam Heating Option - *HF900 and *X200 Models.....	84
Parts Index.....	87

Parts Ordering Information

If literature or replacement parts are required, contact the source from whom the machine was purchased or contact Alliance Laundry Systems at (920) 748-3950 for the name and address of the nearest authorized parts distributor.

For technical assistance, call either of the numbers listed below:

(920) 748-3121 Ripon, Wisconsin

+32 56 41 20 54 Wevelgem, Belgium

Nameplate Location

When calling or writing about your product, be sure to mention model and serial numbers. Model and serial numbers are located on nameplate(s).

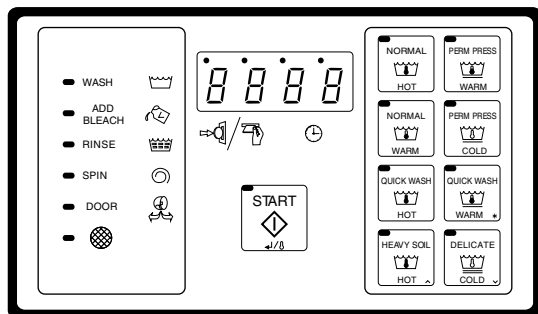
Model Identification

Information in this manual is applicable to these washer-extractor models:

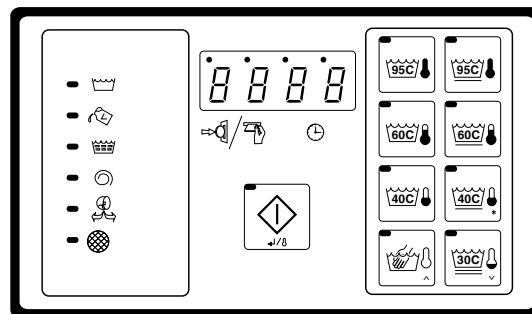
CHF165ANH	HX165PVNU6	SX165PVNU6
HF730_CYGNUS-PREM_OPL	HX165PVNU7	SX165PVNU7
HF730_CYGNUS-PRO	HX165PVPU7	SX165PVPU7
HF730_PS40F	HX165PVQU6	SX165PVQU6
HF900_CYGNUS-PREM_OPL	HX165PVQU7	SX165PVQU7
HF900_CYGNUS-PRO	HX200PVNU7	SX200PVNU7
HF900_PS40F	HX200PVPU7	SX200PVPU7
	HX200PVQU7	SX200PVQU7
	IHF165ANH	UX165PVNU6
	IHF165ZNH	UX165PVNU7
	IHF730ANH	UX165PVPU6
	IHF730ZNH	UX165PVPU7
	IHF900ANH	UX165PVQU6
	IHF900ZNH	UX165PVQU7
		UX200PVNU7
		UX200PVPU7
		UX200PVQU7

Cabinet Freestanding Washer-Extractor Product Overview - *X Models

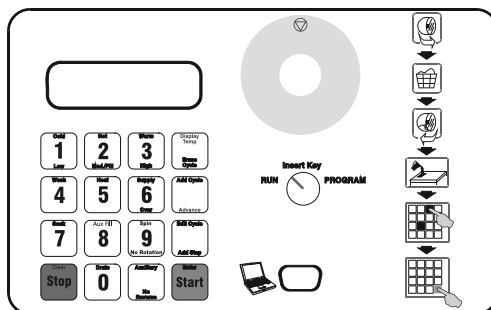
Model No. *X55PVXIM60001
 Serial No. 0000000000
 Voltage 200-240/50-60/1-3 Amps 12
 Required Circuit Breaker Amps 15
 Hz 50-60 Wire 2/3+PE Phase 1/3
 Max. Load 55 LB 25 KG Max. Speed 1000 RPM
 Elec. Heating KW Steam Press. PSI BAR



B Computer (Domestic)



B Computer (International)



WE-8 Micro

CFD266P_9001759

Cabinet Freestanding Washer-Extractor Product Overview - *X Models

REF	PART NO.	DESCRIPTION	COMMENTS
1	-	Product Family	HX NX SX UX
2	-	Capacity (Pounds)	18 25 30 35 55 75 100 135 165 200
3	-	Control	B (B Computer) P (WE-8 Micro)
4	-	Speed	V (Variable)
5	-	Voltage	N (440-480/50-60/3/3) P (380-415/50-60/3/3) Q (200-240/50-60/3/3) X (200-240/50-60/1/3)
6	-	OEM	A F M U
7	-	Design	6 and 7

Cabinet Freestanding Washer-Extractor Product Overview - *HF Models

Type:	HF575P	Nr:	07110580147
Voltage:	3 ~ 380V 50Hz	Weight:	1787 kg
Motor:	7.5 kW 20 A	Capacity:	575 L
Heating:	36 kW 60 A	Dry Load:	57 kg
Total:	43.50 kW	Drum:	980 mm
Kinetic energy:	23257N/M	Speed:	800 rpm
Manufactured in:	2007		

Water Pressure: min. 2.07 max. 5.86 Kg/cm² min. 20.7 max. 58.6 N/cm² IPX4

sfc 741295

Alliance International BVBA
 Nieuwstraat 146
 8560 Wevelgem
 Belgium
 Tel: +32 56 41 20 54
 Fax: +32 56 41 86 74
 www.ipso.be

Label 1

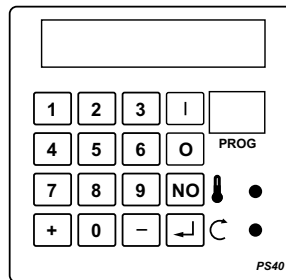
Model No:	IHF165MNHX10U01	Serial No:	0710740113
Volts Hertz:	208-240 50/60	Type:	HF730P
Phase:	3	Capacity:	165/73 lbs/kg
Amps:	20 amps	Water Pressure:	30-85 psi
Recommended Circuit Breaker:	25 amps	Pressure:	2.07-5.86 bar
Interrupt Current:	10 kA	Max Speed:	750 rpm
Motor:	15 hp 11 kW	Net Weight:	3520 lbs 5070 kg
Elec Heat:	N/A kW		IPX4
Steam heat:	N/A psi N/A bar		

Alliance International BVBA
 Made in Belgium

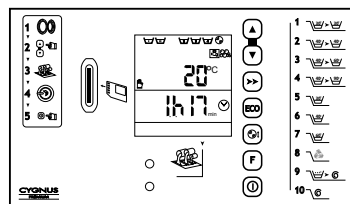
Alliance Laundry Systems TEL 1-920-748-3121
 www.comlaundry.com

100740
 CONFORMS TO ANSI/UL
 STD 2157
 CERTIFIED TO CAN/CSA
 STD C22.2 NO.169

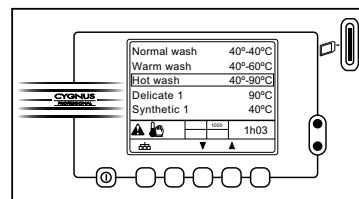
Label 2



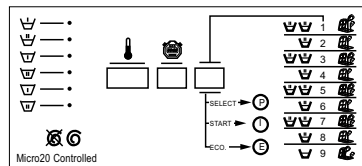
PS40



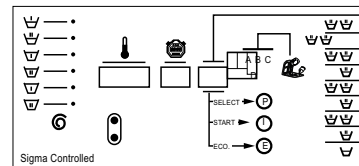
Cygnus Premium



Cygnus Professional



Micro 20



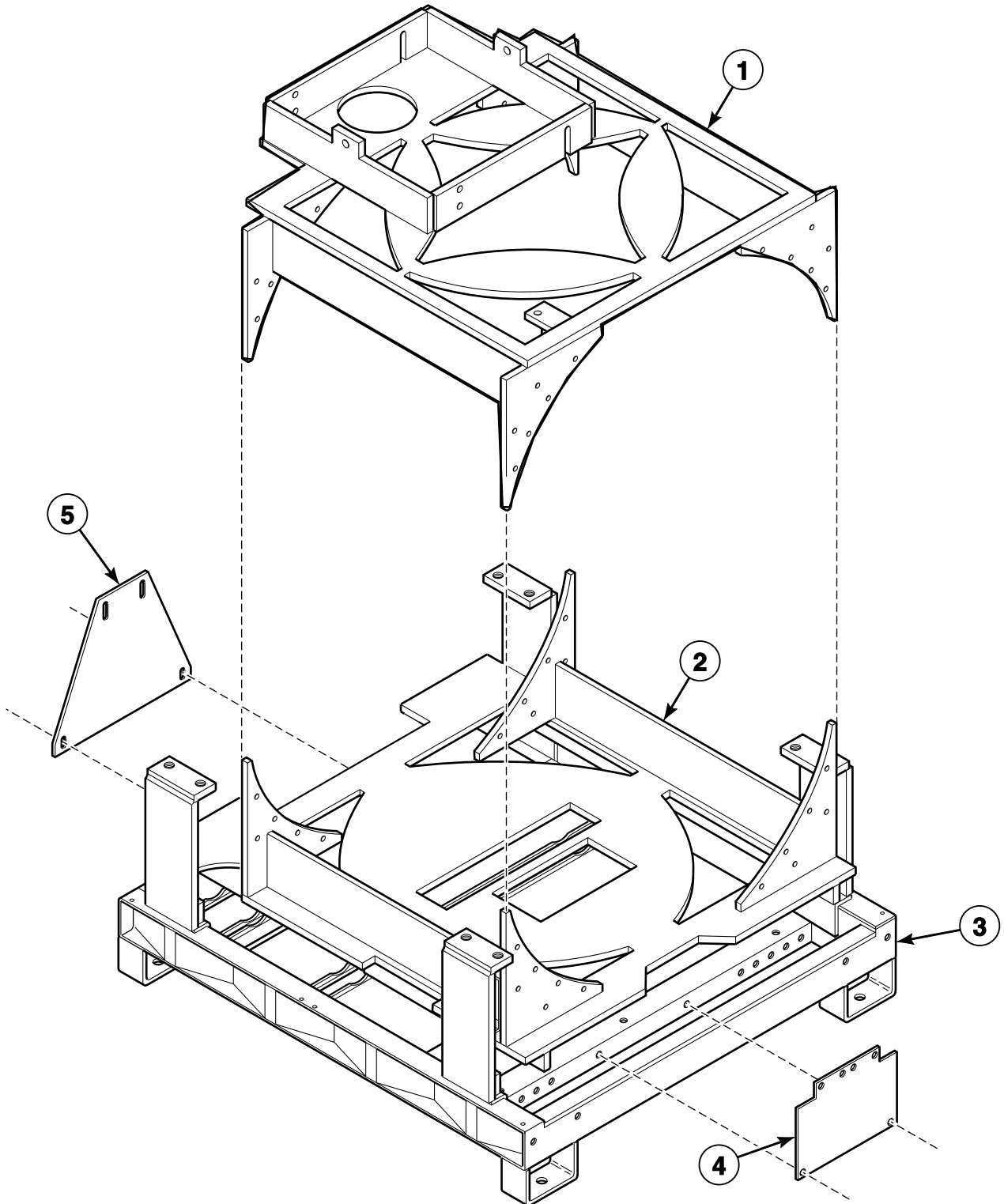
Sigma

CFD296P_9001759

Cabinet Freestanding Washer-Extractor Product Overview - *HF Models

REF	PART NO.	DESCRIPTION	COMMENTS
1	-	Product Family	CHF HF IHF
2	-	Capacity (Pounds)	165 730 900
3	-	Control	A (PS40F) CAM-Timer Cygnus-Prem M (Micro-20) Micro-9 PC30 PS40 Sigma Z (Cygnus-Pro)
4	-	Actuation	N (Non-Coin)
5	-	Speed	H (High Speed)
6	-	Voltage	N (440-480/50-60/3/3) P (380-415/50-60/3/3) Q (208-240/50-60/3/3) X (200-240/50-60/1/3)
7	-	Design	1

Frame

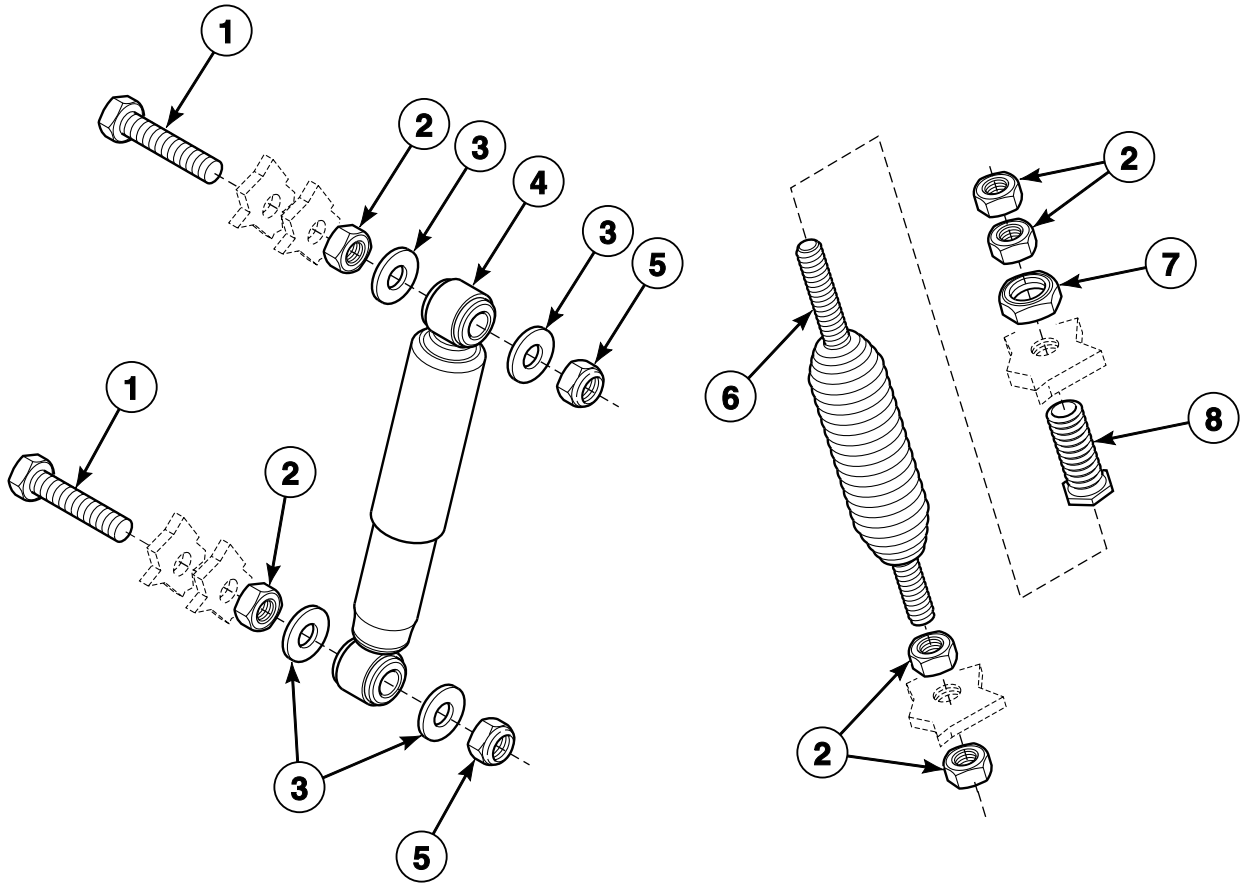


CFD264P_9001759

Frame

REF	PART NO.	DESCRIPTION	COMMENTS
1	253/10503/00	Upper Support	*HF165, *HF730 and *X165 models
	290/10503/00	Upper Support	*HF900 and *X200 models
2	253/10502/00	Lower Support	*HF165, *HF730 and *X165 models
	290/10502/00	Lower Support	*HF900 and *X200 models
3	253/10501/00	Frame	*HF165, *HF730 and *X165 models
	290/10501/00	Frame	*HF900 and *X200 models
4	173/00015/00	Shipping Bracket	Front
5	173/00054/00	Shipping Bracket	Rear

Shock and Spring Assembly

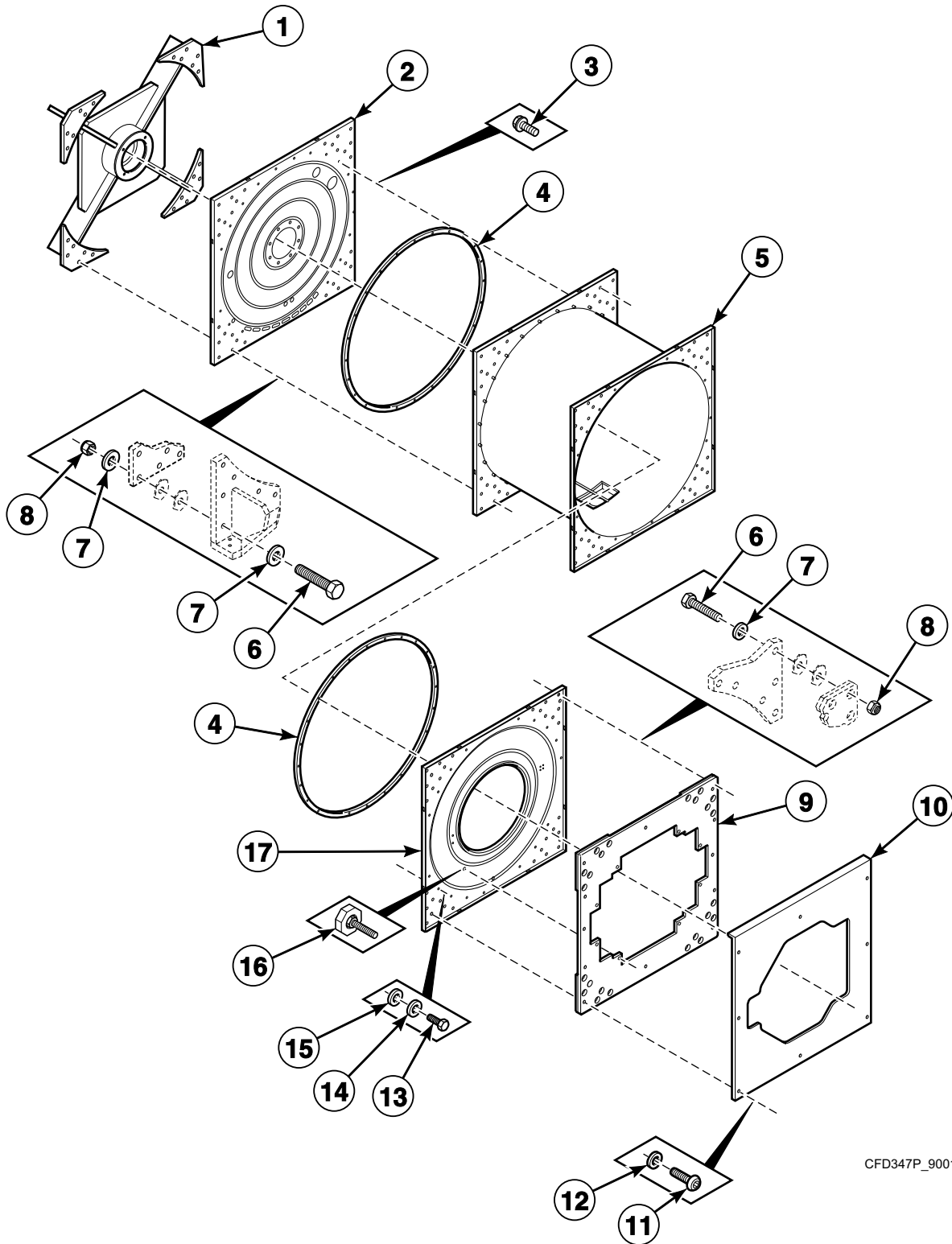


CFD58P_9001759

Shock and Spring Assembly

REF	PART NO.	DESCRIPTION	COMMENTS
1	206/00071/00	Bolt	
2	204/00012/00	Nut	
3	201/00001/00	Washer	
4	247/00008/00	Shock Absorber	
	211/00137/10	Shock Absorber Bushing	
5	204/00113/00	Nut	
6	B12440101	Suspension Spring	
7	204/00016/00	Nut	
8	224/00046/00	Bolt	

Shell and Front Panel - *X165 Design 6 Models

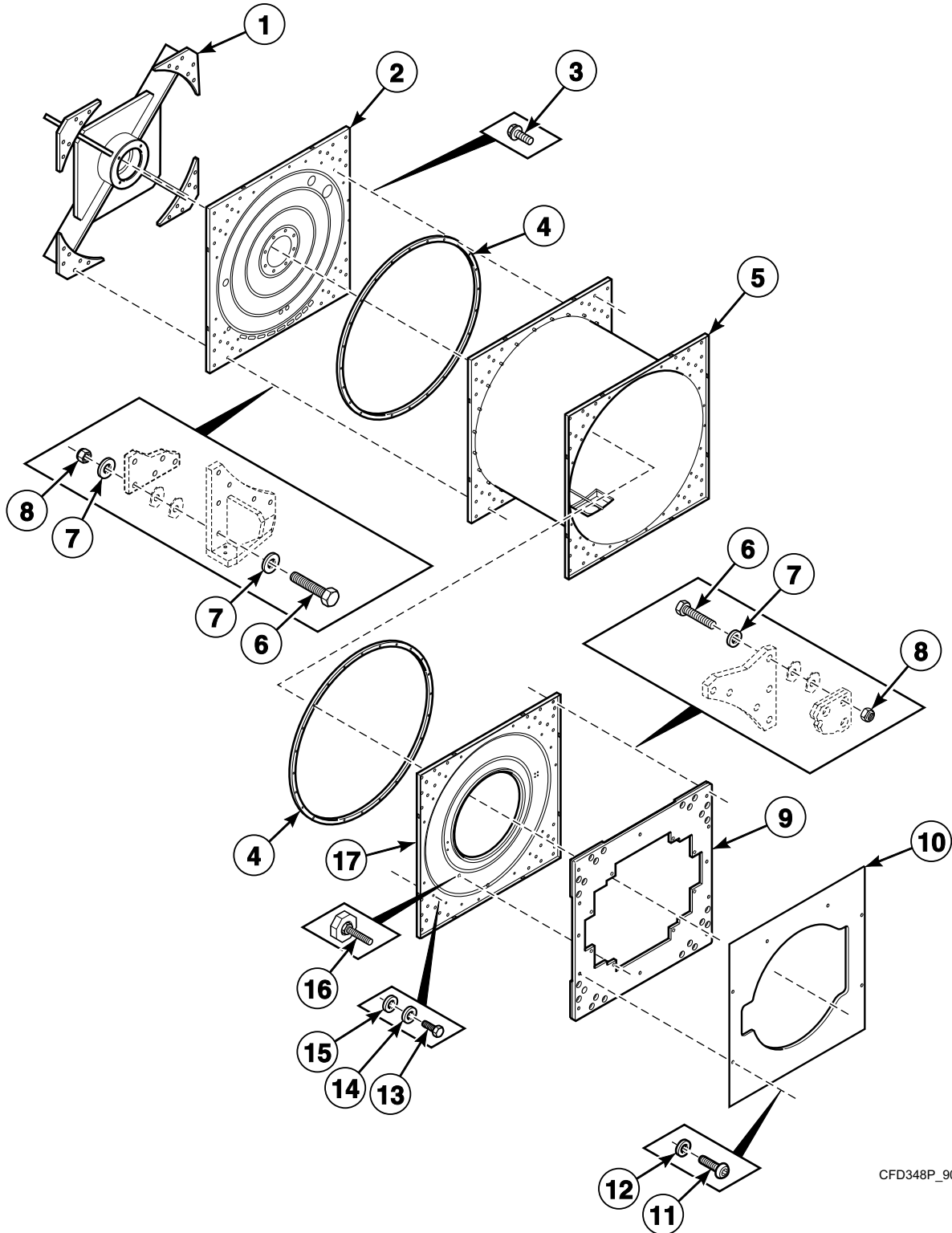


CFD347P_9001759

Shell and Front Panel - *X165 Design 6 Models

REF	PART NO.	DESCRIPTION	COMMENTS
1	253/10505/00	Bearing Housing	
2	173/00020/10	Tub Back Plate	Standard and steam heat
	173/00019/10	Tub Back Plate	Electric and steam heat
3	206/00099/00	Bolt	
4	255/00001/00	Tub Gasket	
5	173/00020/00	Tub	Standard and steam heat
	173/00019/00	Tub	Electric and steam heat
6	206/00122/00	Bolt	
7	201/00001/00	Washer	
8	204/00113/00	Nut	
9	253/10504/00	Counterweight	
10	173/00025/00	Front Panel	
11	205/00102/00	Bolt	
12	202/00105/00	Washer	
13	205/00105/00	Bolt	
14	B12300701	Washer	
15	B12300601	Washer	
16	252/00006/00	Leveling Leg	
17	173/00025/00	Front Panel	

Shell and Front Panel - All Models Except *X165 Design 6 Models

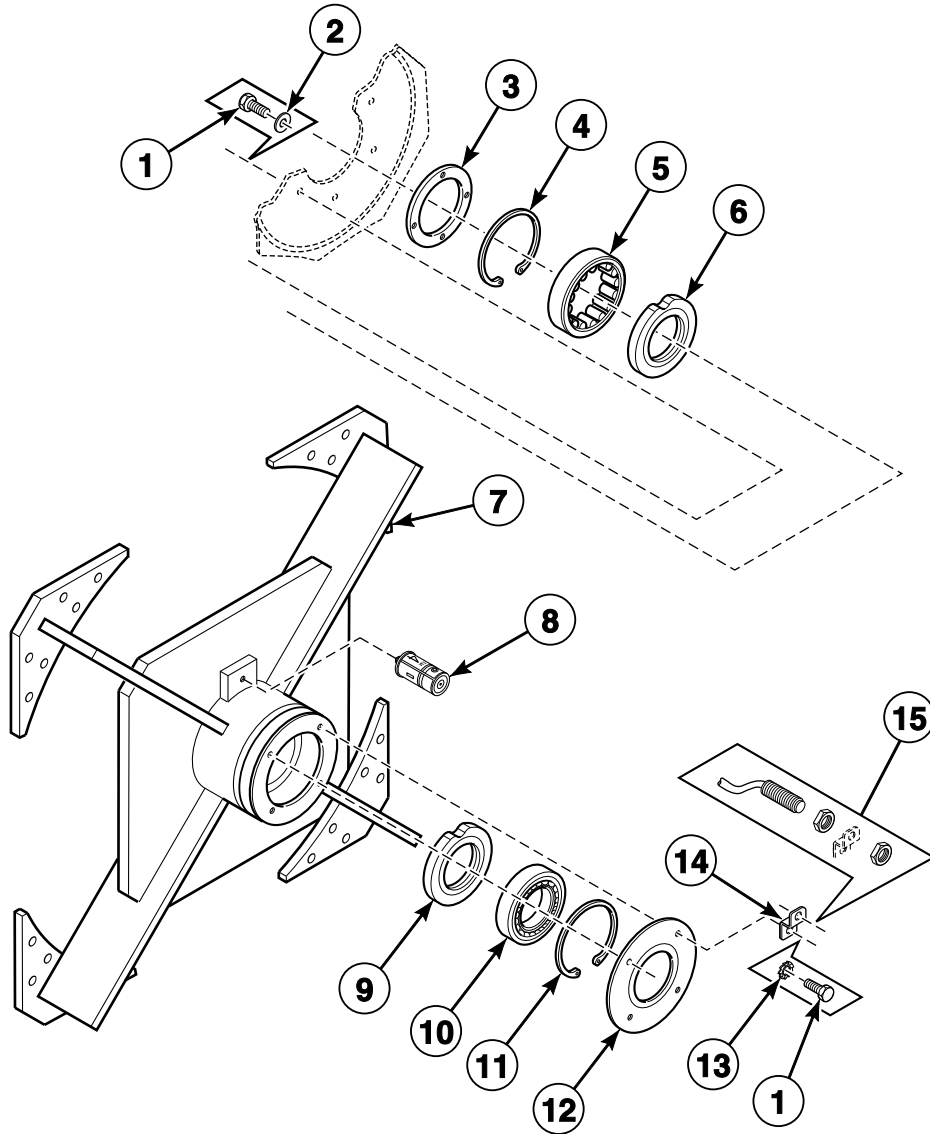


CFD348P_9001759

Shell and Front Panel - All Models Except *X165 Design 6 Models

REF	PART NO.	DESCRIPTION	COMMENTS
1	253/10505/00	Bearing Housing	
2	173/00020/10	Tub Back Plate	Standard and steam heat
	173/00019/10	Tub Back Plate	Electric and steam heat
3	206/00099/00	Bolt	
4	255/00001/00	Tub Gasket	
5	190/00020/00	Tub	*HF900 and *X200 models; Standard and steam heat
	173/00020/00	Tub	All other models; Standard and steam heat
	190/00019/00	Tub	*HF900 and *X200 models; Electric and steam heat
	173/00019/00	Tub	All other models; Electric and steam heat
6	206/00122/00	Bolt	
7	201/00001/00	Washer	
8	204/00113/00	Nut	
9	253/10504/00	Counterweight	
10	173/00010/00	Tub Front	
11	205/00102/00	Bolt	
12	202/00105/00	Washer	
13	205/00105/00	Bolt	
14	B12300701	Washer	
15	B12300601	Washer	
16	252/00006/00	Leveling Leg	
17	173/00022/00	Tub Front	

Bearing Assembly (Drawing 1 of 3)

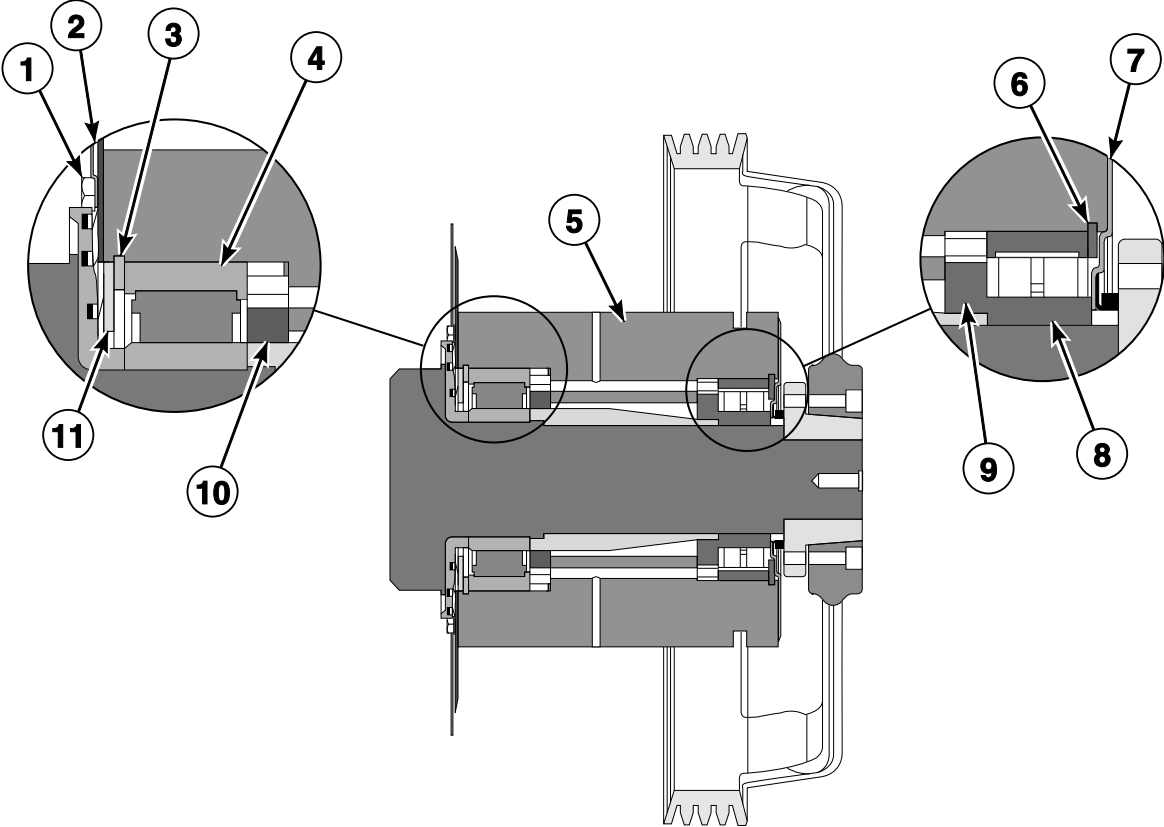


CFD95P_9001759

Bearing Assembly (Drawing 1 of 3)

REF	PART NO.	DESCRIPTION	COMMENTS
	245/00059/00	Bearing Tool Kit	
	895P3	Bearing Replacement Kit	Includes items 5, 8 and 10 and 253/00151/00 V-Ring Seal (VL220), 253/00153/00 V-Ring Seal (VL170), 253/10516/00 V-Ring Seal (VL250), 253/10515/00 V-Ring Seal (VA110) and 253/10506/00 Bearing Sleeve
1	205/00102/00	Bolt	
2	201/00204/00	Washer	
3	253/10523/00	Bearing Retainer	
4	212/00043/00	Retaining Ring	
5	253/00164/00	Bearing	
6	253/10514/00	Bearing Spacer	
7	253/10505/00	Bearing Housing	
	253/10522/00	Bearing Housing	Includes items 4-6 and 9-11
8	212/00022/00	Lubricator	
9	253/10513/00	Bearing Spacer	
10	253/00165/00	Bearing	
11	253/00157/00	Retaining Ring	
12	253/10507/00	Bearing Retainer	
13	203/00002/00	Washer	
14	153/00041/02	Speed Sensor Bracket	*X165 models; Models through 10/29/06
	153/00041/11	Speed Sensor Bracket	*X165 models; Models starting 10/30/06
	153/10028/00	Speed Sensor Bracket	All other models
15	209/00400/00	Speed Detector	

Bearing Assembly (Drawing 2 of 3)

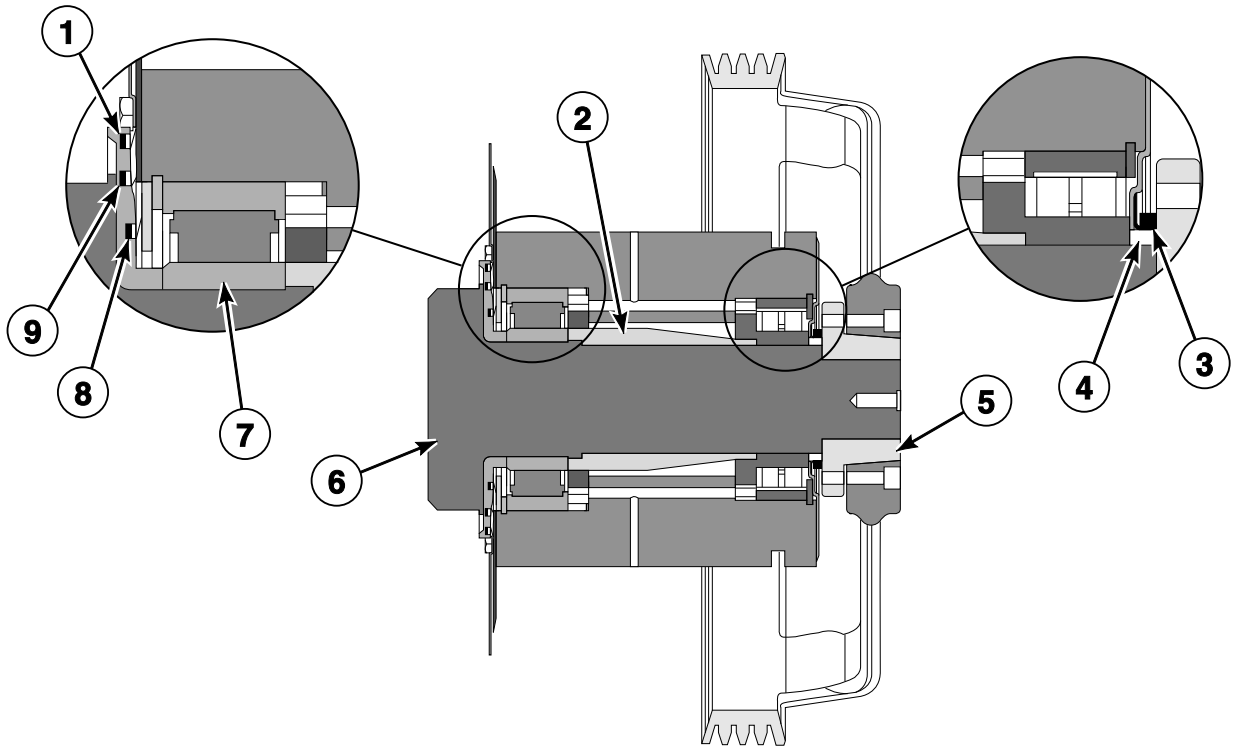


CFD135P_9001759

Bearing Assembly (Drawing 2 of 3)

REF	PART NO.	DESCRIPTION	COMMENTS
1	205/00102/00	Bolt	
2	201/00202/00	Washer	
3	212/00043/00	Retaining Ring	
4	253/00164/00	Bearing	
5	253/10505/00	Bearing Housing	
6	253/00157/00	Retaining Ring	
7	253/10507/00	Bearing Retainer	
8	253/00165/00	Bearing	
9	253/10513/00	Bearing Spacer	
10	253/10514/00	Bearing Spacer	
11	253/10523/00	Bearing Retainer	

Bearing Assembly (Drawing 3 of 3)

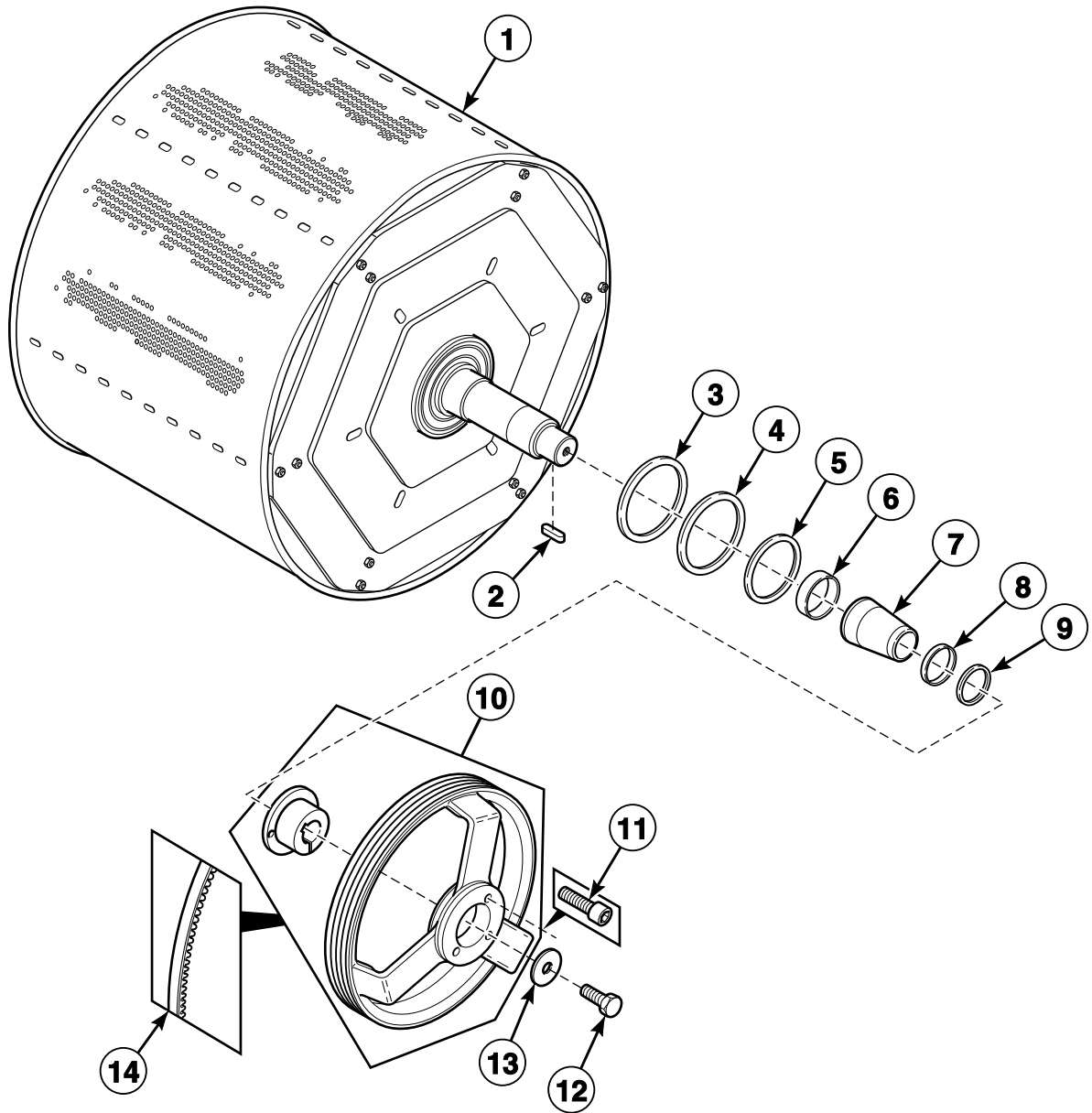


CFD135PA_9001759

Bearing Assembly (Drawing 3 of 3)

REF	PART NO.	DESCRIPTION	COMMENTS
1	253/10516/00	V-Ring Seal	Loctite 480 required for installation
2	253/10506/00	Bearing Sleeve	
3	253/10515/00	V-Ring Seal	Loctite 480 required for installation
4	253/10518/00	V-Ring Seal Ring	
5	253/10517/00	Pulley and Hub Assembly	
6	B12402701	Cylinder and Shaft Assembly	
7	253/00164/00	Bearing	
8	253/00153/00	V-Ring Seal	Loctite 480 required for installation
9	253/00151/00	V-Ring Seal	Loctite 480 required for installation

Basket, Pulley and Belt

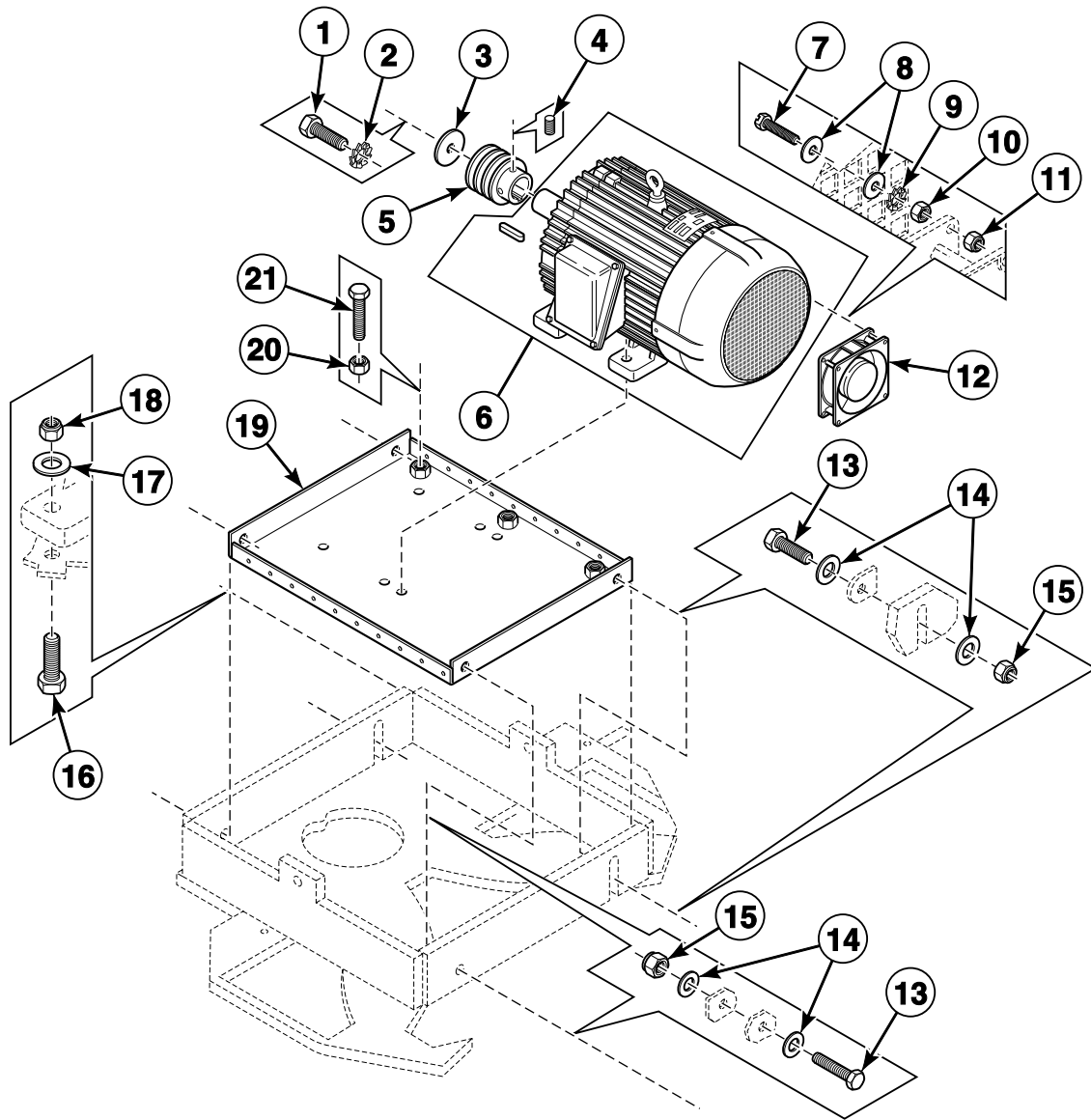


CFD94P_9001759

Basket, Pulley and Belt

REF	PART NO.	DESCRIPTION	COMMENTS
1	B12464301	Cylinder and Shaft Assembly	*HF900 and *X200 models
	B12402701	Cylinder and Shaft Assembly	All other models
2	253/00033/00	Key	
3	253/10516/00	V-Ring Seal	Loctite 480 required for installation
4	253/00151/00	V-Ring Seal	Loctite 480 required for installation
5	253/00153/00	V-Ring Seal	Loctite 480 required for installation
6	253/00164/00	Bearing	
7	253/10506/00	Bearing Sleeve	
8	253/10518/00	V-Ring Seal Ring	
9	253/10515/00	V-Ring Seal	Loctite 480 required for installation
10	253/10517/00	Pulley and Hub Assembly	
11	206/00053/00	Screw	
12	206/00147/00	Bolt	
13	201/00025/00	Washer	
14	253/00163/00	Belt	

Motor

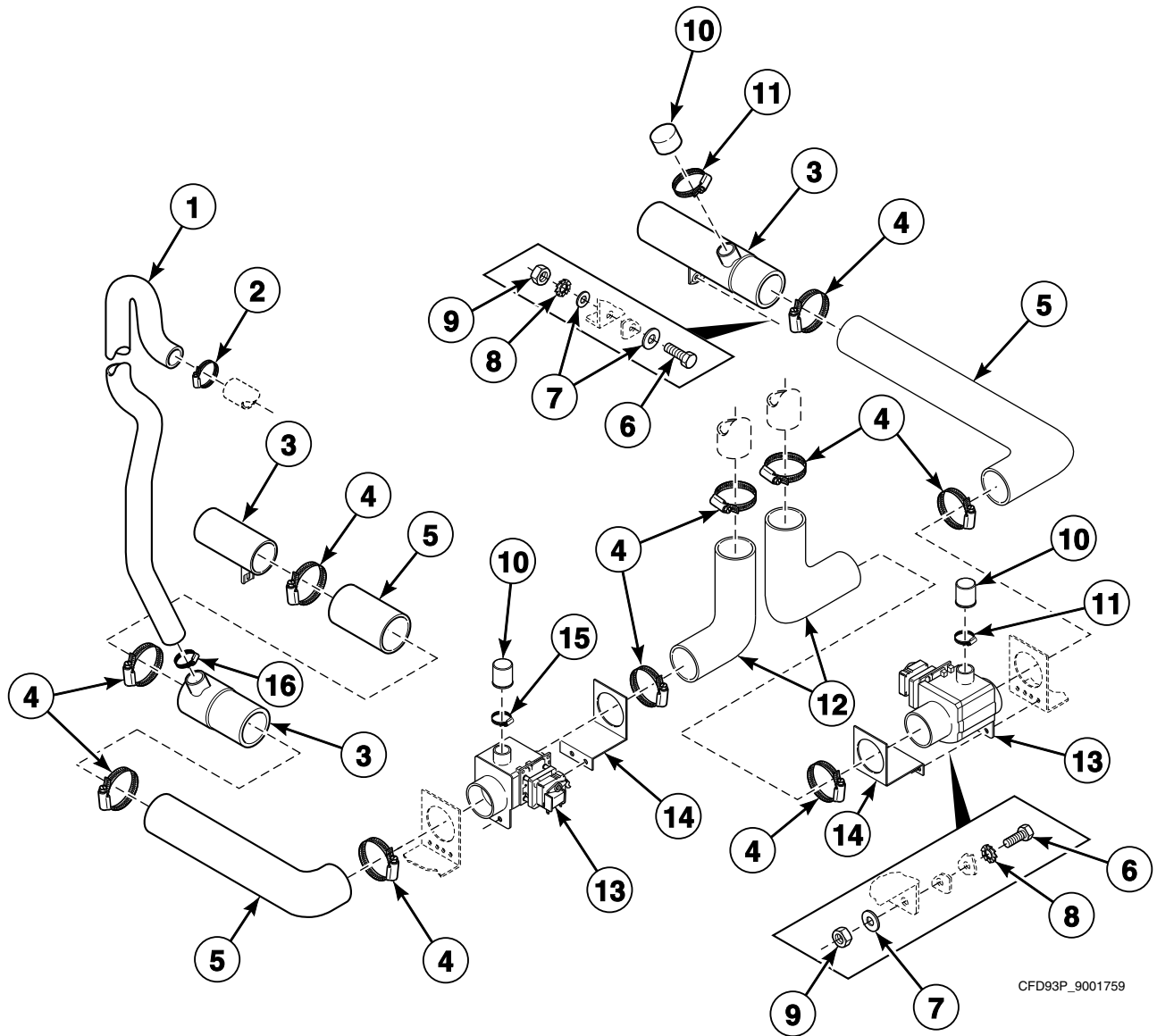


CFD56P_9001759

Motor

REF	PART NO.	DESCRIPTION	COMMENTS
1	206/00004/00	Bolt	
2	203/00001/00	Washer	
3	201/00011/00	Washer	
4	206/00031/00	Screw	
5	253/10519/00	Motor Pulley	
6	227/00246/00	Motor	15 Kw; *HF900 and *X200 models made before Serial No. 0902900007; Used when replacing 11 Kw motor with 15 Kw motor; When replacing either the 11 Kw motor or inverter drive with a 15 Kw motor or inverter drive, both the 11 Kw motor and inverter drive must be replaced with a 15 Kw motor and inverter drive
	227/00223/00	Motor	15 Kw; *HF900 and *X200 models starting Serial No. 0902900007
	227/00174/00	Motor	11 Kw; All other models; For *HF900 and *X200 models made before Serial No. 0902900007, contact customer service for replacement information
7	207/00003/00	Screw	
8	201/00008/00	Washer	
9	203/00006/00	Washer	
10	204/00007/00	Nut	
11	204/00114/00	Nut	
12	209/00287/00	Cooling Fan	
13	248/00114/00	Bolt	
14	201/00001/00	Washer	
15	204/00113/00	Nut	
16	206/00003/00	Bolt	
17	201/00004/00	Washer	
18	204/00111/00	Nut	
19	153/00025/00	Motor Plate	
20	204/00012/00	Nut	
21	206/00125/00	Screw	

Drain Assembly

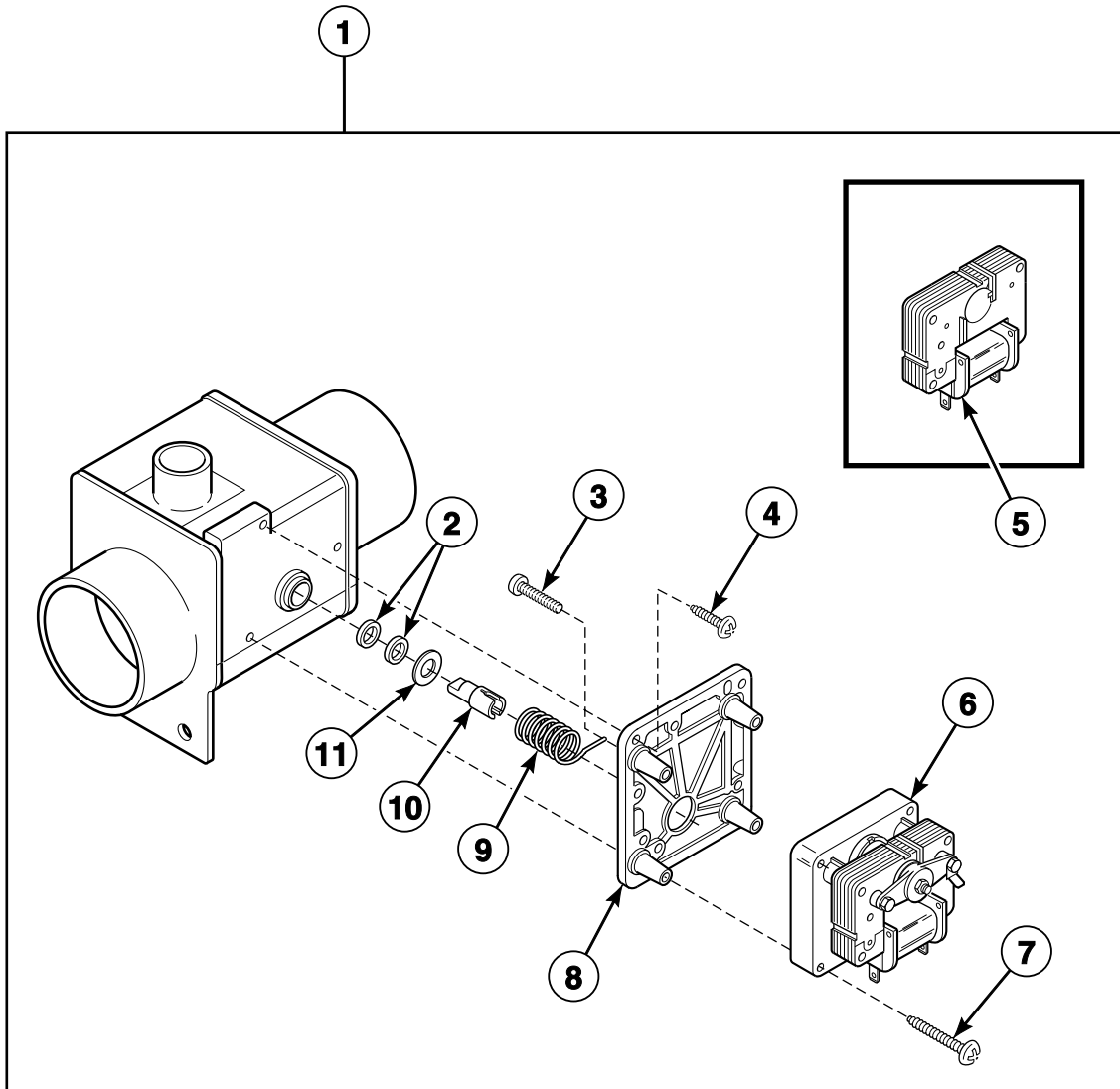


CFD93P_9001759

Drain Assembly

REF	PART NO.	DESCRIPTION	COMMENTS
	210/01575/18	Drain Valve Harness	
	210/01575/17	Wire Harness	Connects drain 1 to drain 2
1	223/00184/00	Overflow Hose	
2	223/00013/00	Hose Clamp	
3	223/00106/00	Drain Pipe	
4	223/00071/00	Hose Clamp	
5	223/00141/00	Drain Valve to Drain Pipe Hose	
6	206/00009/00	Bolt	
7	202/00002/00	Washer	
8	203/00003/00	Washer	
9	204/00004/00	Nut	
10	223/00086/00	Drain Valve Overflow Plug	
11	223/00012/00	Hose Clamp	
12	223/00133/00	Drain Tub to Drain Valve Hose	
13	209/00075/00	Drain Valve	
14	114/00010/00	Drain Valve Plate Assembly	
15	223/00223/00	Hose Clamp	
16	223/00013/00	Hose Clamp	

Drain Valve - Normally Open

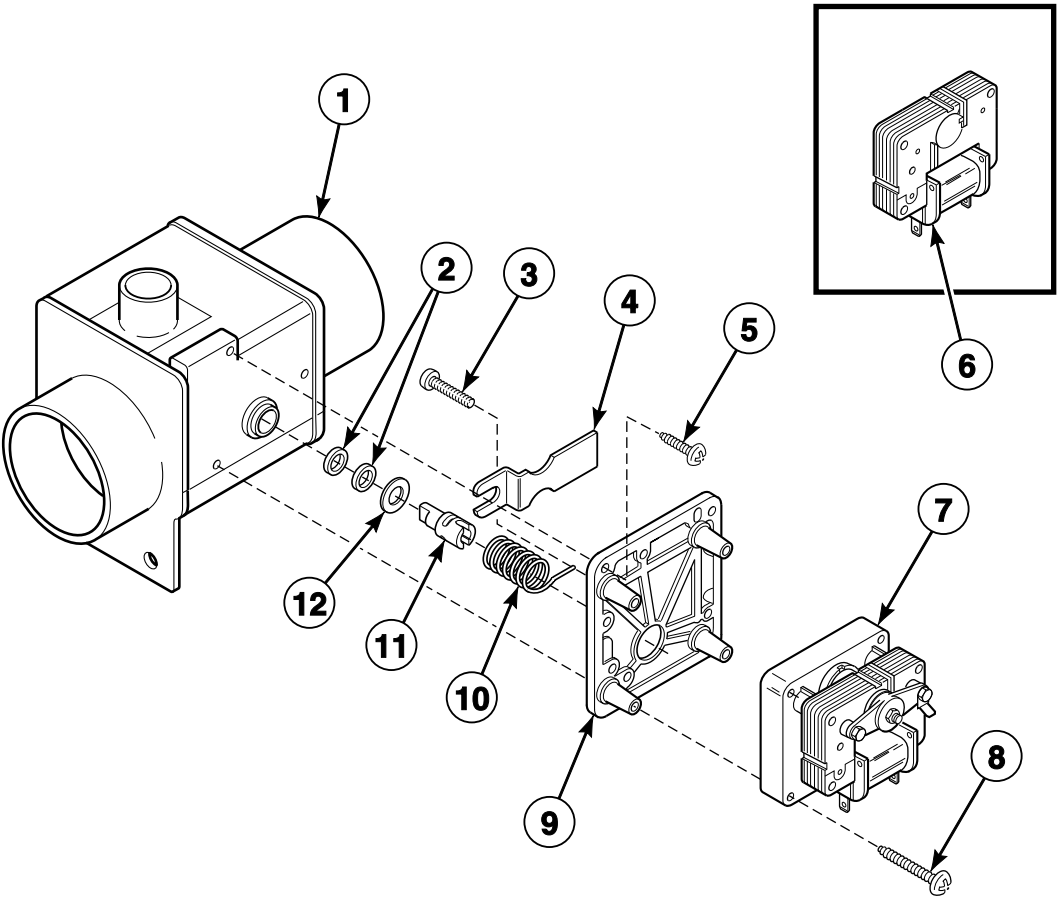


CFD98P_9001759

Drain Valve - Normally Open

REF	PART NO.	DESCRIPTION	COMMENTS
	210/01575/18	Drain Valve Harness	
	210/01575/17	Wire Harness	Connects drain 1 to drain 2
1	209/00075/00	Drain Valve	
2	209/00025/10	Drain Valve Shaft Seal	
3	209/00025/08	Screw	
4	209/00170/05	Screw	
5	209/00203/21	Coil	24 Volt
	209/00052/21	Coil	115 Volt
	209/00051/21	Coil	220 Volt
6	209/00203/11	Drain Valve Motor	24 Volt
	209/00052/11	Drain Valve Motor	110 Volt
	209/00051/11	Drain Valve Motor	220 Volt
7	209/00170/07	Screw	
8	209/00025/07	Drain Valve Motor Mounting Plate	
9	209/00025/13	Drain Valve Spring	
10	209/00170/10	Drain Valve Shaft	
11	209/00025/12	Washer	

Drain Valve - Normally Closed

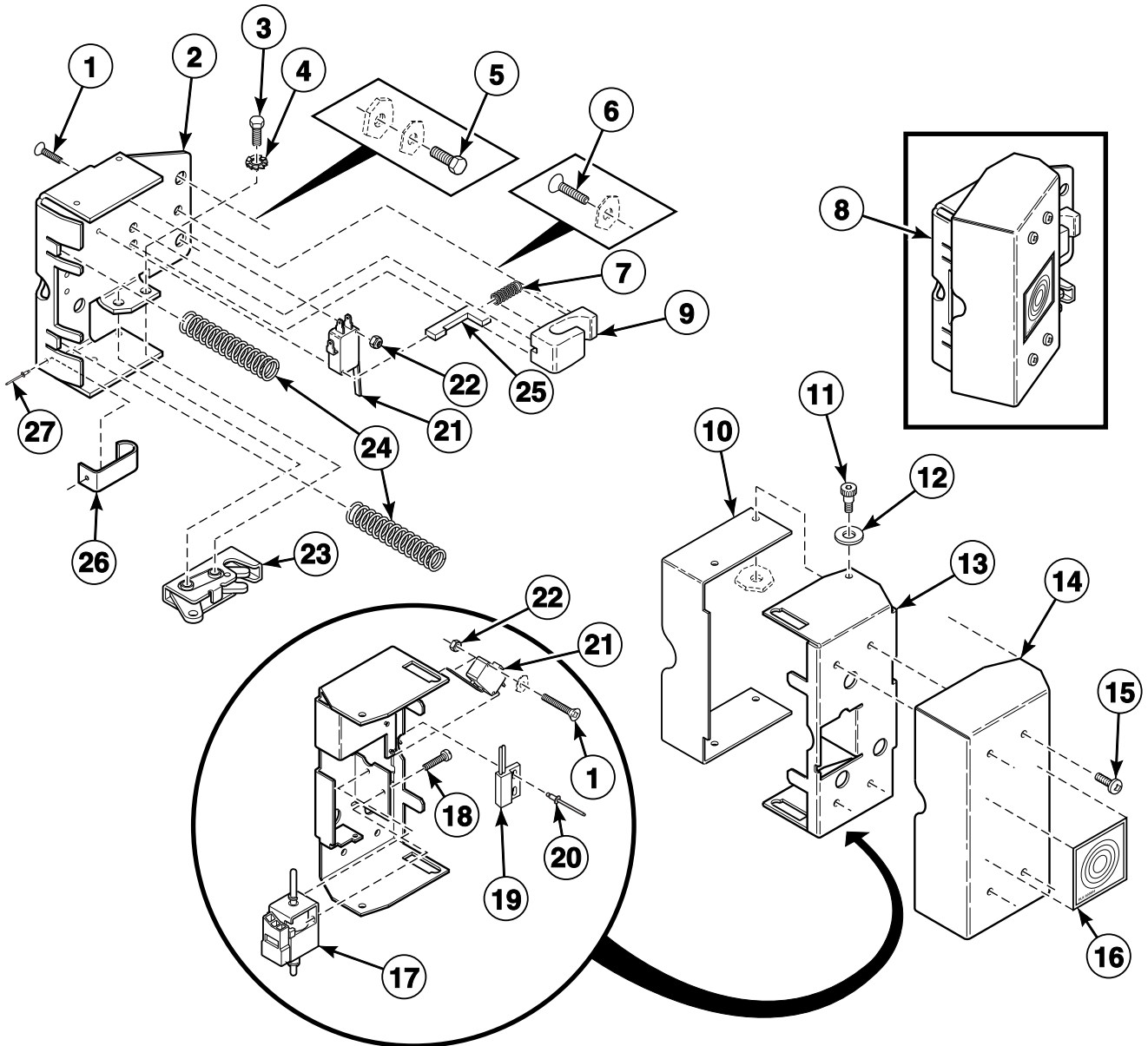


CFD99P_9001759

Drain Valve - Normally Closed

REF	PART NO.	DESCRIPTION	COMMENTS
1	209/00075/05	Drain Valve	
2	209/00025/10	Drain Valve Shaft Seal	
3	209/00025/08	Screw	
4	209/00115/11	Drain Valve Handle	
5	209/00170/05	Screw	
6	209/00212/11	Coil	24 Volt
	209/00052/21	Coil	115 Volt
	209/00051/21	Coil	220 Volt
7	209/00203/12	Drain Valve Motor	24 Volt
	209/00052/12	Drain Valve Motor	110 Volt
	209/00170/06	Drain Valve Motor Assembly	220 Volt
8	209/00170/07	Screw	
9	209/00115/04	Drain Valve Motor Mounting Plate	
10	209/00170/02	Drain Valve Spring	
11	209/00170/10	Drain Valve Shaft	
12	209/00025/12	Washer	

Door Lock

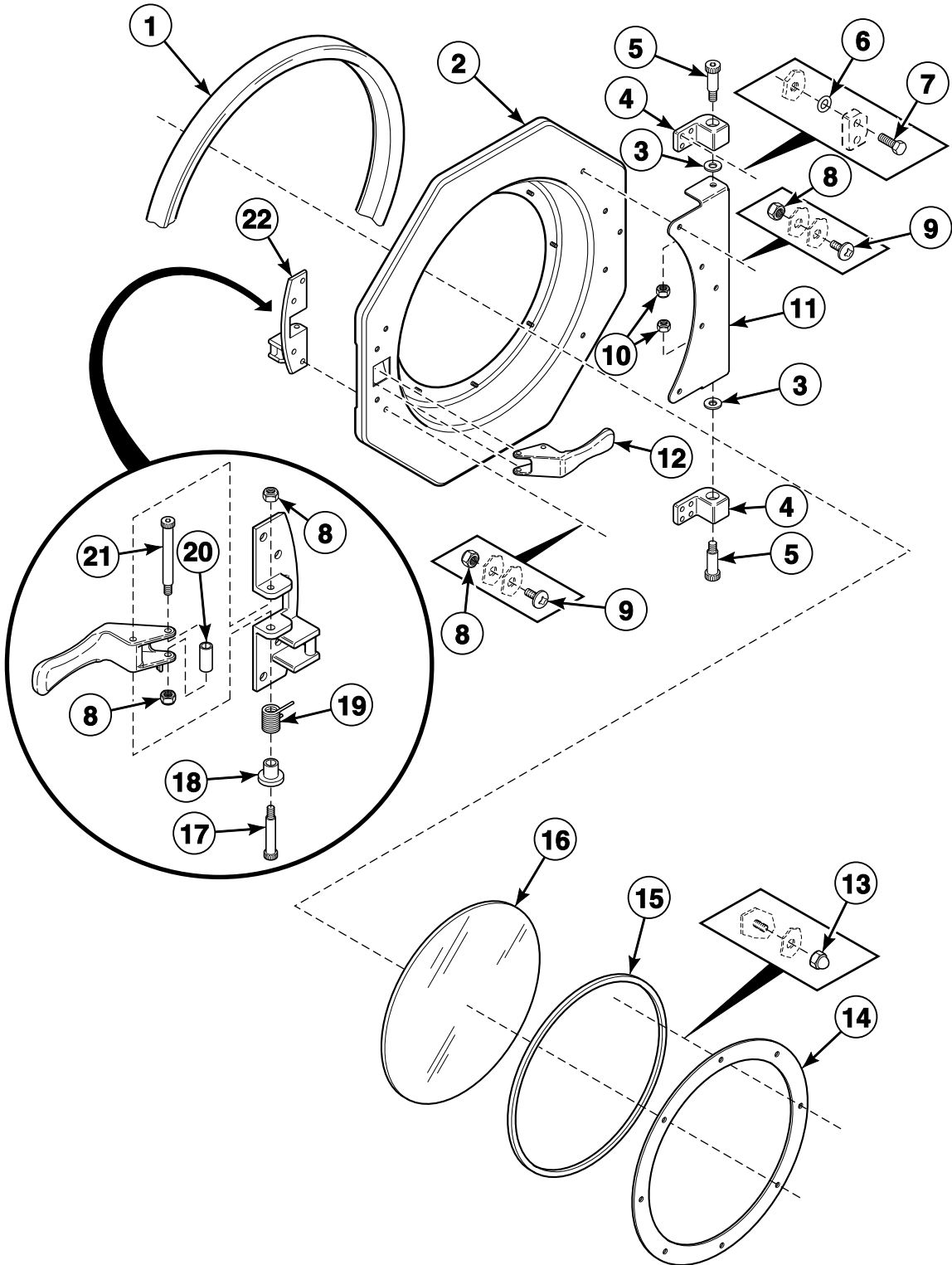


CFD498P_9001759

Door Lock

REF	PART NO.	DESCRIPTION	COMMENTS
	C000867	Door Lock Harness	Models starting 7/15/11
	C001036	Door Lock Assembly	Includes items 1-27 and C000867 Door Lock Harness; Models starting 7/15/11
	C001036M	Door Lock Kit	Includes C001036 Door Lock Assembly, F8390801 Magnet, C002994 Door Magnet Mounting Bracket and F431223 Pop Rivet; Models through 7/14/11
1	253/00158/614	Screw	
2	253/00158/684	Door Lock Plate	
3	253/00158/567	Screw	
4	253/00158/571	Washer	
5	205/00123/00	Bolt	
6	253/00158/612	Screw	
7	253/00158/276	Door Lock Spring	
8	253/00159/1036	Door Latch Assembly	
9	253/00158/185	Door Lock Catch	
10	253/00158/687	Door Lock Spring Cover	
11	253/00158/430	Bolt	
12	201/00007/00	Washer	
13	253/00158/686	Door Lock Solenoid Bracket	
14	253/00158/688	Door Lock Cover	
15	253/00158/1047	Screw	
16	253/00158/694	Door Release Decal	
17	209/00274/00	Door Lock Solenoid	
18	B12322501	Screw	
19	C003000	Reed Switch Assembly	Models starting 7/15/11
20	F8245101	Blind Rivet	Models starting 7/15/11
21	253/00158/278	Door Lock Microswitch	
22	253/00158/578	Nut	
23	253/00158/1244	Door Latch	
24	253/00158/431	Spring	
25	253/00158/271	Door Lock Switch Actuator	
26	211/00072/00	Lock Spring Leaf	*165 and *730 models starting Serial No. 10090740022; *200 and *900 models starting Serial No. 10090900017
27	B12336401	Rivet	*165 and *730 models starting Serial No. 10090740022; *200 and *900 models starting Serial No. 10090900017

Door - *X165 Design 6 Models

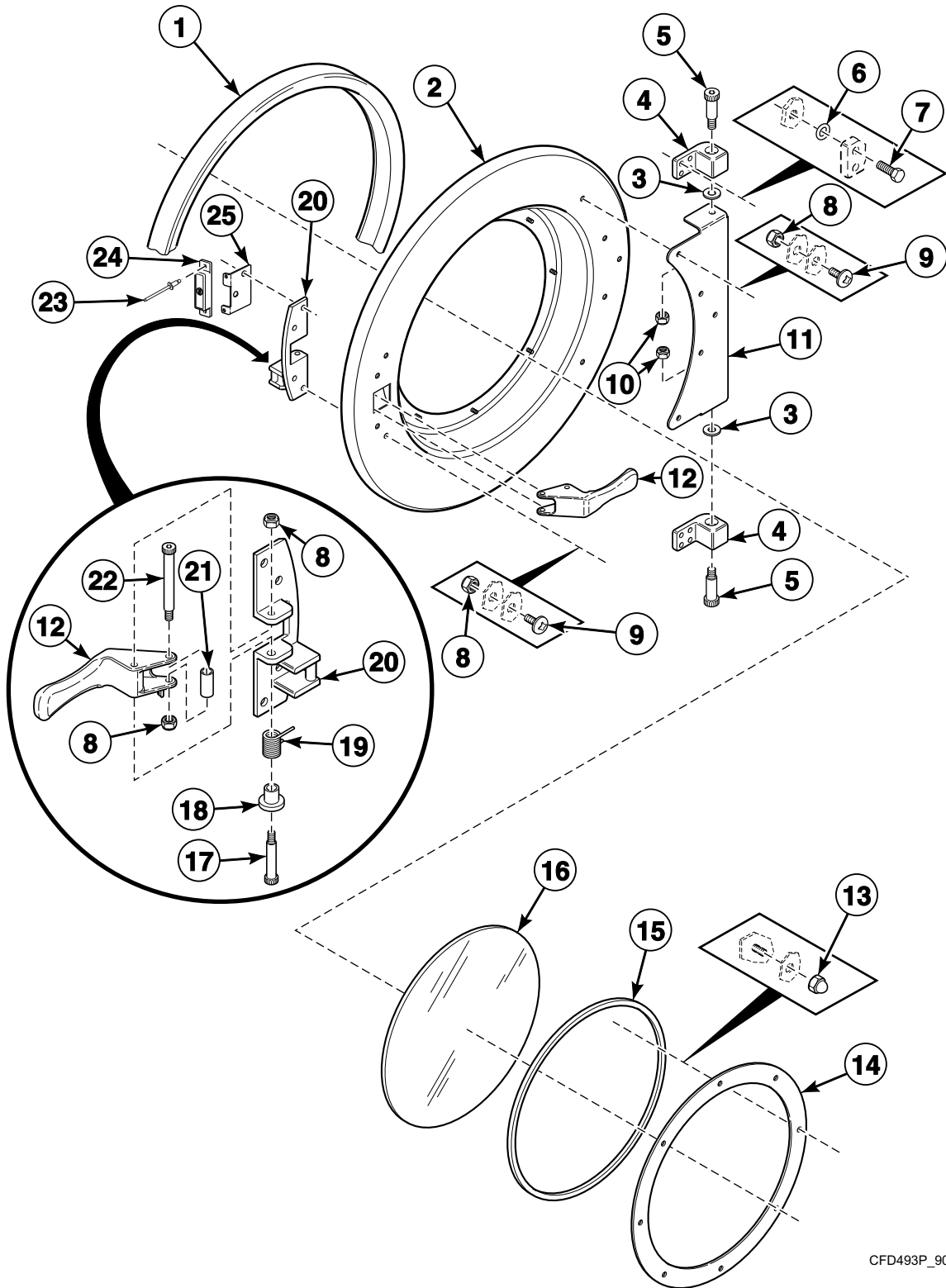


CFD65P_9001759

Door - *X165 Design 6 Models

REF	PART NO.	DESCRIPTION	COMMENTS
1	253/00162/02	Door Seal	
2	173/00028/00	Door	
3	253/00158/177	Washer	
4	253/00158/175	Door Hinge Block	
5	253/00158/178	Bolt	
6	223/00244/00	O-Ring	
7	205/00122/00	Bolt	
8	253/00158/560	Nut	
9	253/00158/561	Bolt	
10	253/00158/558	Nut	
11	253/00515/752	Door Hinge	
12	253/00515/28	Door Handle	
13	253/00158/562	Nut	
14	253/00515/751	Door Glass Seal Retaining Ring	
15	253/00515/750	Door Glass Gasket	
16	253/00515/749	Door Glass	
17	253/00158/182	Bolt	
18	253/00158/192	Door Handle Spring Bushing	
19	253/00158/187	Door Handle Torsion Spring	
20	253/00158/181	Door Handle Bushing	
21	253/00158/180	Bolt	
22	253/00158/179	Door Handle Hinge Weldment	

Door - All Models Except *X165 Design 6 Models



CFD493P_9001759

Door - All Models Except *X165 Design 6 Models

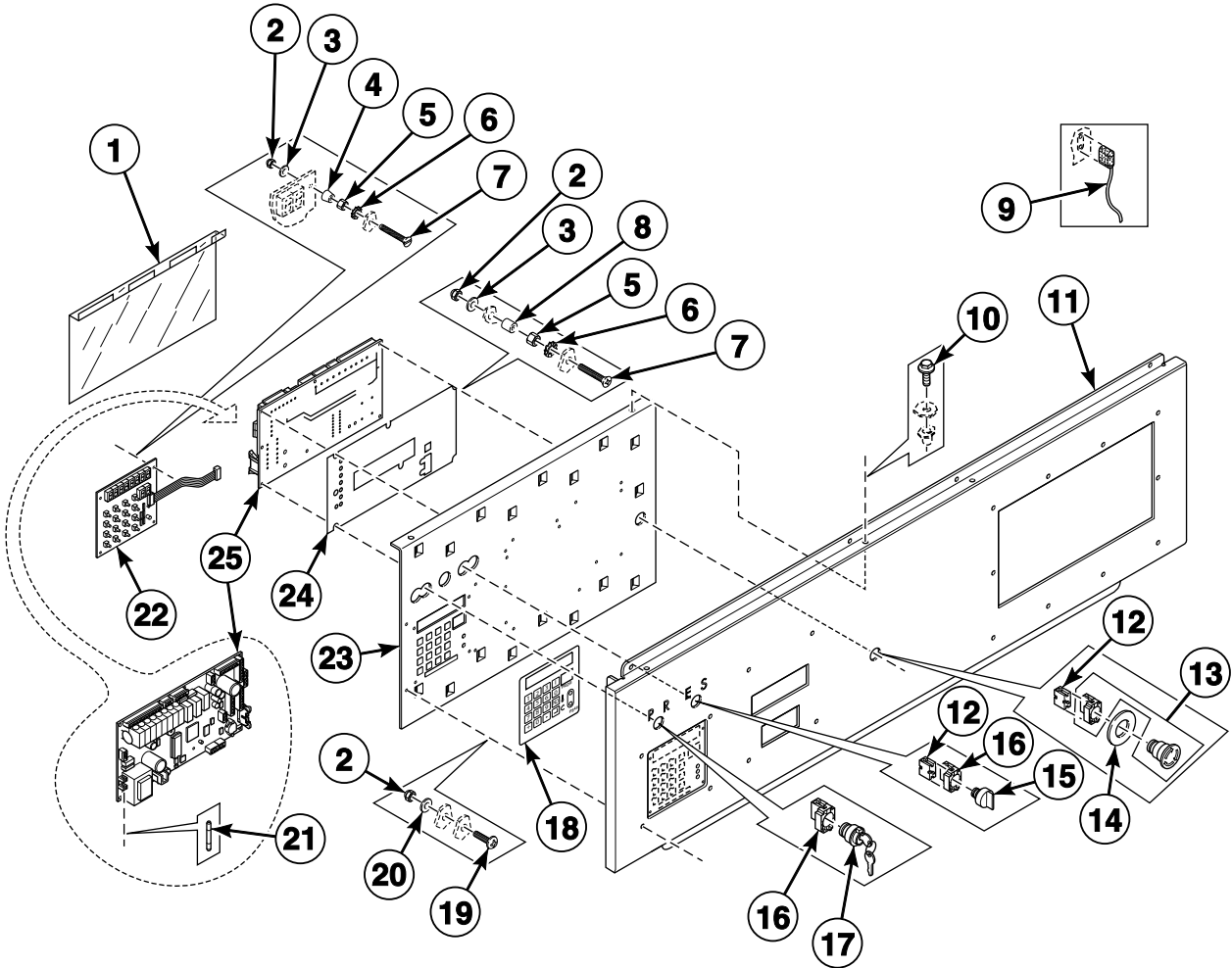
REF	PART NO.	DESCRIPTION	COMMENTS
1	253/00162/02	Door Seal	
2	173/00040/00	Door	
3	253/00158/177	Washer	
4	253/00158/175	Door Hinge Block	
5	253/00158/178	Bolt	
6	223/00244/00	O-Ring	
7	205/00122/00	Bolt	
8	253/00158/560	Nut	
9	253/00158/561	Bolt	
10	253/00158/558	Nut	
11	253/00515/752	Door Hinge	
12	253/00515/28	Door Handle	
13	253/00158/562	Nut	
14	173/00041/00	Door Glass Seal Retaining Ring	
15	223/00346/00	Door Glass Seal	
16	253/00515/754	Door Glass	
17	253/00158/182	Bolt	
18	253/00158/192	Door Handle Spring Bushing	
19	253/00158/187	Door Handle Torsion Spring	
20	253/00158/179	Door Handle Hinge Weldment	
21	253/00158/181	Door Handle Bushing	
22	253/00158/180	Bolt	
23	F431223	Pop Rivet	Models starting 7/15/11
24	F8390801	Magnet	Models starting 7/15/11
25	B12509001	Door Magnet Mounting Bracket	Models starting 7/15/11

Control Panel - *X Models

REF	PART NO.	DESCRIPTION	COMMENTS
1	9002100	Main Control	
2	229/00262/50	Circuit Board Cover	
3	209/00372/01	Fuse	
4	204/00116/00	Nut	
5	223/00123/00	Washer	
6	211/00107/00	Spacer	
7	229/00255/00	Insulating Sticker	
8	173/00027/10	Upper Front Panel	
9	225/00391/00	Overlay	UX models
	225/00392/00	Overlay	SX models
	9001890	Logo Decal	HX models
10	44018901	Contact Block	
11	209/00099/25	Switch Base	
12	209/00099/29	Switch Knob	Steam and electric heat
13	44018701	Contact Block	
14	44018801	Pushbutton	
15	209/00326/21	Programming Key	Key code 455
16	209/00326/20	Programming Key Contact Switch	Includes item 15
17	F9001561	Overlay	
18	211/00140/00	Spacer	
19	209/00580/03	Display	
20	210/00204/00	Flat Cable	
21	210/00205/00	Programming Cable	
22	204/00008/00	Nut	
23	203/00007/00	Washer	

Control Panel - PS40F

Models CHF165ANH, HF730_PS40F, HF900_PS40F, IHF165ANH, IHF730ANH and IHF900ANH



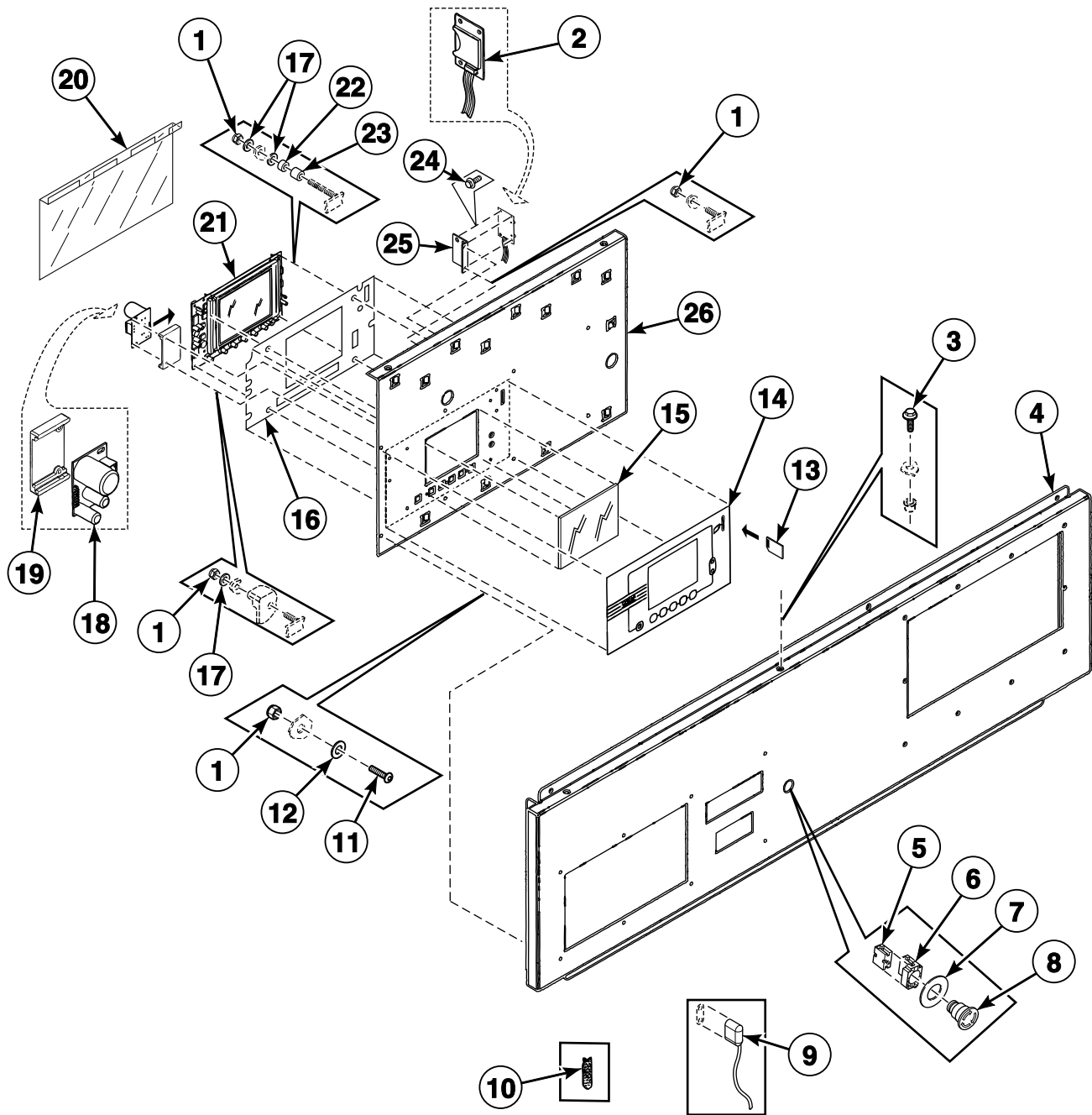
BE000567P_9001759

Control Panel - PS40F

REF	PART NO.	DESCRIPTION	COMMENTS
1	229/00262/00	Circuit Board Cover	
2	204/00116/00	Nut	
3	223/00123/00	Washer	
4	223/00008/01	Handle Grommet	
5	204/00008/00	Nut	
6	203/00007/00	Washer	
7	207/00025/00	Screw	
8	211/00122/00	Standoff	
9	210/00902/00	Infrared Cable	
10	206/00099/00	Bolt	
11	173/00002/00	Upper Front Panel	
12	209/00099/26	Contact Switch	
13	209/00248/20	Mushroom Pushbutton	
14	209/00520/00	Telem Sticker	
15	209/00099/29	Switch Knob	
16	209/00099/25	Switch Base	
17	209/00326/20	Programming Key Contact Switch	
18	225/00365/00	Overlay	
19	207/00113/00	Screw	
20	202/00004/00	Washer	
21	209/00372/01	Fuse	
22	209/00552/01	Keypad	
23	173/00012/00	Mounting Plate	
24	229/00255/00	Insulating Sticker	
25	B12351701	Main Board	

Control Panel - Cygnus Professional

Models HF730_CYGNUS-PRO, HF900_CYGNUS-PRO, IHF165ZNH, IHF730ZNH and IHF900ZNH



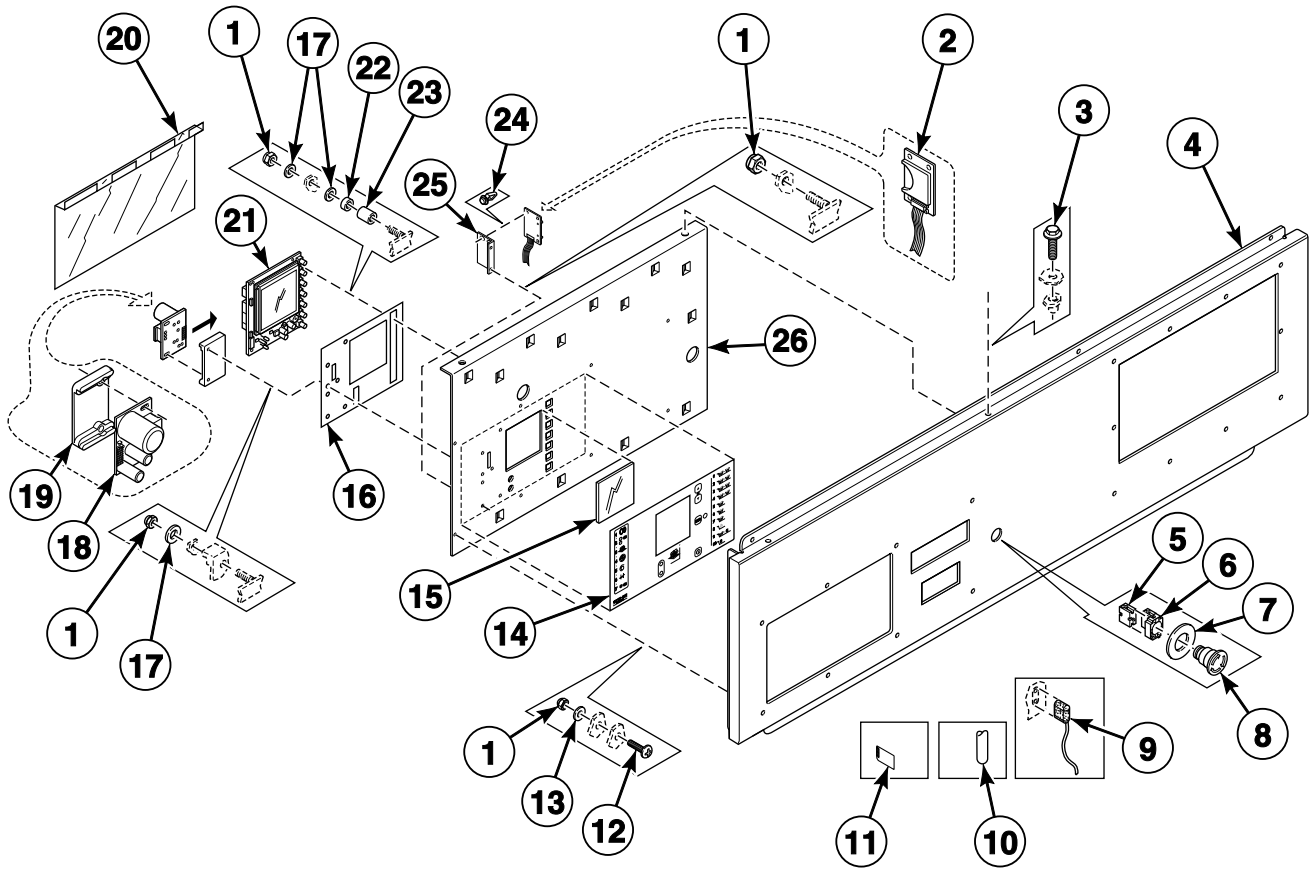
BE000890P_9001759

Control Panel - Cygnus Professional

REF	PART NO.	DESCRIPTION	COMMENTS
1	204/00116/00	Nut	
2	B12305201	Memory Card PC-Board	Models made prior to 4/5/11 require a firmware upgrade
3	206/00099/00	Bolt	
4	173/00042/00	Front Panel	
5	209/00099/26	Contact Switch	
6	209/00099/20	Emergency Switch Pushbutton	
7	209/00520/00	Telem Sticker	
8	209/00248/20	Mushroom Pushbutton	
9	210/00902/00	Infrared Cable	
10	223/00348/00	Datacard Cover	
11	207/00113/00	Screw	
12	202/00004/00	Washer	
13	209/02022/00	Datacard	
14	225/10313/00	Operating Sticker	
15	225/00321/00	Plexi Frame	
16	229/00268/00	Insulating Sticker	
17	223/00123/00	Washer	
18	209/02010/00	Door Lock PC-Board	
19	223/00374/00	Mounting Plate	
20	229/00289/00	Circuit Board Cover	
21	209/02002/Z02	Display and Printboard	
22	211/00128/00	Printboard Separator	
23	211/00122/00	Standoff	
24	211/00145/00	Standoff	
25	111/01893/00	Printboard Support Card	
26	173/00013/20	Printboard Display Plate Assembly	

Control Panel - Cygnus Premium

Models HF730_CYGNUS-PREM_OPL and HF900_CYGNUS-PREM_OPL

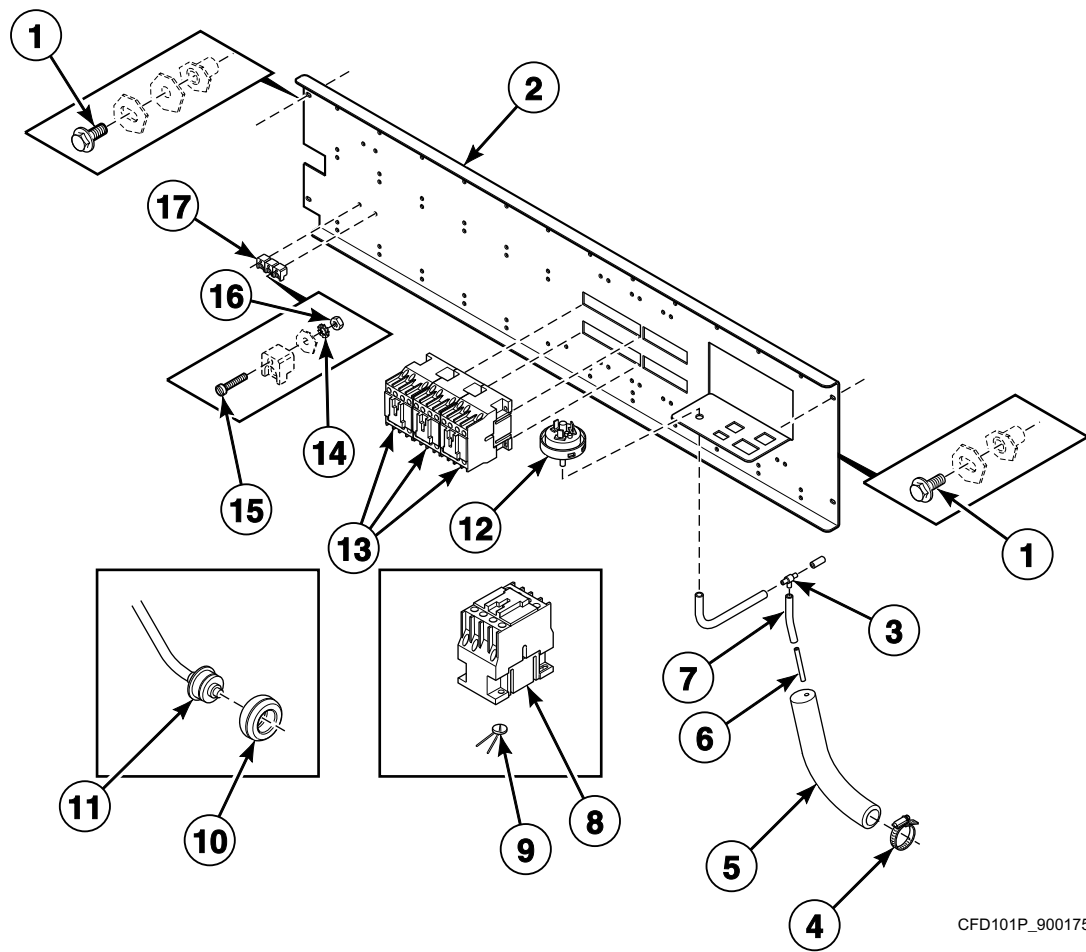


BE000891P_9001759

Control Panel - Cygnus Premium

REF	PART NO.	DESCRIPTION	COMMENTS
1	204/00116/00	Nut	
2	B12305201	Memory Card PC-Board	
3	206/00099/00	Bolt	
4	173/00042/00	Front Panel	
5	209/00099/26	Contact Switch	
6	209/00099/20	Emergency Switch Pushbutton	
7	209/00520/00	Telem Sticker	
8	209/00248/20	Mushroom Pushbutton	
9	210/00902/00	Infrared Cable	
10	223/00348/00	Datacard Cover	
12	207/00113/00	Screw	
13	202/00004/00	Washer	
11	209/02022/00	Datacard	
14	225/10427/00	Operating Sticker	
15	225/00323/00	Plexi Frame	
16	229/00268/00	Insulating Sticker	
17	223/00123/00	Washer	
18	209/02010/00	Door Lock PC-Board	
19	223/00374/00	Mounting Plate	
20	229/00289/00	Circuit Board Cover	
21	209/02015/02	Printboard	
22	211/00128/00	Printboard Separator	
23	211/00122/00	Standoff	
24	211/00145/00	Standoff	
25	111/01893/00	Printboard Support Card	
26	173/00013/30	Printboard Display Plate Assembly	

Control Module

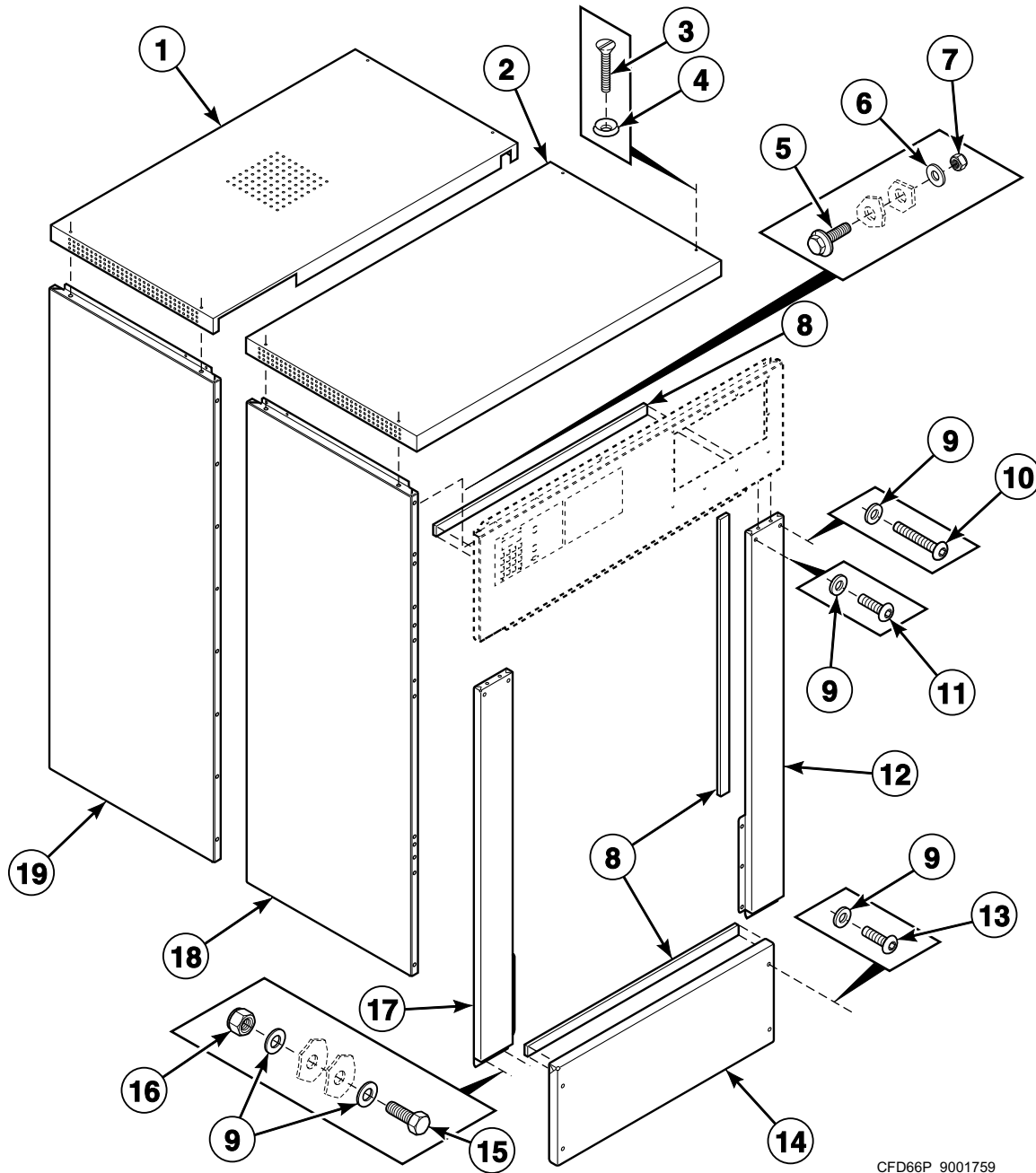


CFD101P_9001759

Control Module

REF	PART NO.	DESCRIPTION	COMMENTS
1	206/00099/00	Bolt	
2	229/00262/20	Electrical Components Plate	
3	223/00173/10	Pressure Switch Hose Tee	
4	223/00223/00	Hose Clamp	
5	223/00210/00	Pressure Switch Elbow	
6	223/00016/00	Hose Barb	
7	223/00333/00	Pressure Hose	
8	209/00041/04	Contactator	
9	209/00356/00	Noise Suppressor	
10	225/10004/00	Thermostat Seal	
11	210/01064/16	Thermostat	Cygnus control models
	210/01304/16	Thermostat	All other models
12	209/00007/50	Pressure Switch	Models through 7/8/08
	209/00029/00	Water Level Switch	Models starting 7/8/08
13	209/00148/02	Contactator	
14	203/00006/00	Washer	
15	207/00008/00	Screw	
16	204/00007/00	Nut	
17	209/00005/00	Terminal Block	

Top, Left Side and Front Panels

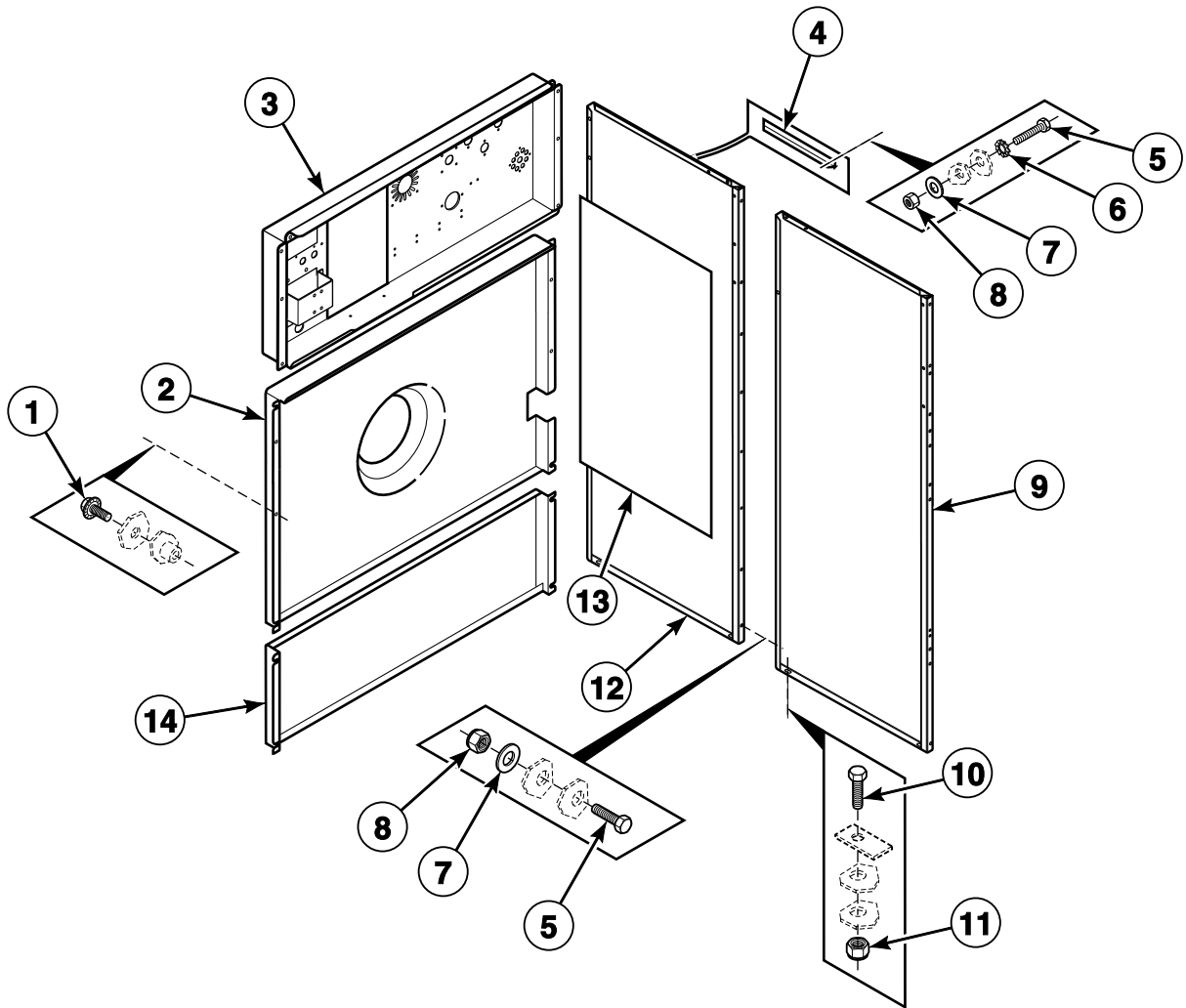


CFD66P_9001759

Top, Left Side and Front Panels

REF	PART NO.	DESCRIPTION	COMMENTS
1	173/00001/01	Rear Cabinet Top	*HF165, *HF730 and *X165 models
	190/00001/01	Rear Cabinet Top	All other models
2	173/00001/02	Front Cabinet Top	*HF165, *HF730 and *X165 models
	190/00001/02	Front Cabinet Top	All other models
3	207/00123/00	Screw	
4	208/00009/00	Washer	
5	206/00099/00	Bolt	
6	202/00106/00	Washer	
7	204/00106/00	Nut	
8	246/00149/00	Gasket	
9	208/00009/00	Washer	*X models
	202/00110/00	Washer	*HF models
10	208/00121/00	Screw	
11	208/00125/00	Screw	
12	173/00003/10	Front Right Panel	
13	208/00124/00	Screw	*X models
	207/00123/00	Screw	*HF models
14	173/00004/00	Lower Front Panel	
15	206/00042/00	Bolt	
16	204/00109/00	Nut	
17	173/00003/20	Front Left Panel	
18	173/00005/00	Side Panel	*HF165, *HF730 and *X165 models; Left front
	190/00005/00	Side Panel	All other models; Left front
19	173/00006/00	Side Panel	*HF165, *HF730 and *X165 models; Left rear
	190/00006/00	Side Panel	All other models; Left rear

Back and Right Side Panels

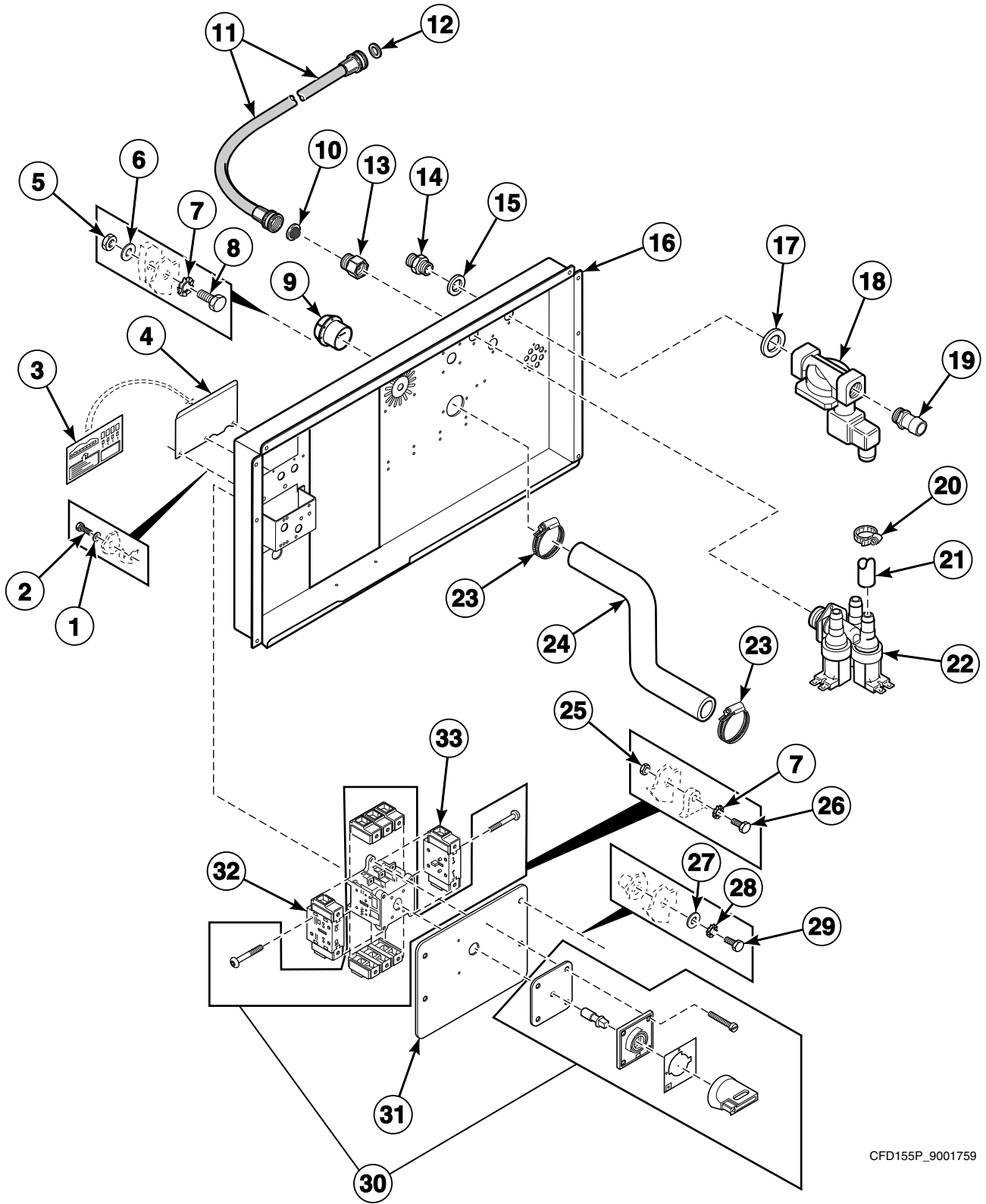


CFD89P_9001759

Back and Right Side Panels

REF	PART NO.	DESCRIPTION	COMMENTS
1	206/00099/00	Bolt	
2	173/00007/02	Lower Rear Panel	
3	173/00008/00	Upper Rear Panel	
4	153/00103/01	Side Panel Support Assembly	
5	205/00104/00	Bolt	
6	203/00004/00	Washer	
7	202/00110/00	Washer	
8	204/00106/00	Nut	
9	173/00006/00	Side Panel	*HF165, *HF730 and *X165 models; Right front
	190/00006/00	Side Panel	All other models; Right front
10	205/00105/00	Bolt	
11	204/00009/00	Nut	
12	173/00005/00	Side Panel	*HF165, *HF730 and *X165 models; Right rear
	190/00005/00	Side Panel	All other models; Right rear
13	246/00079/00	Side Panel Gasket	
14	173/00007/01	Lower Rear Panel	

Upper Back Panel (Drawing 1 of 5)

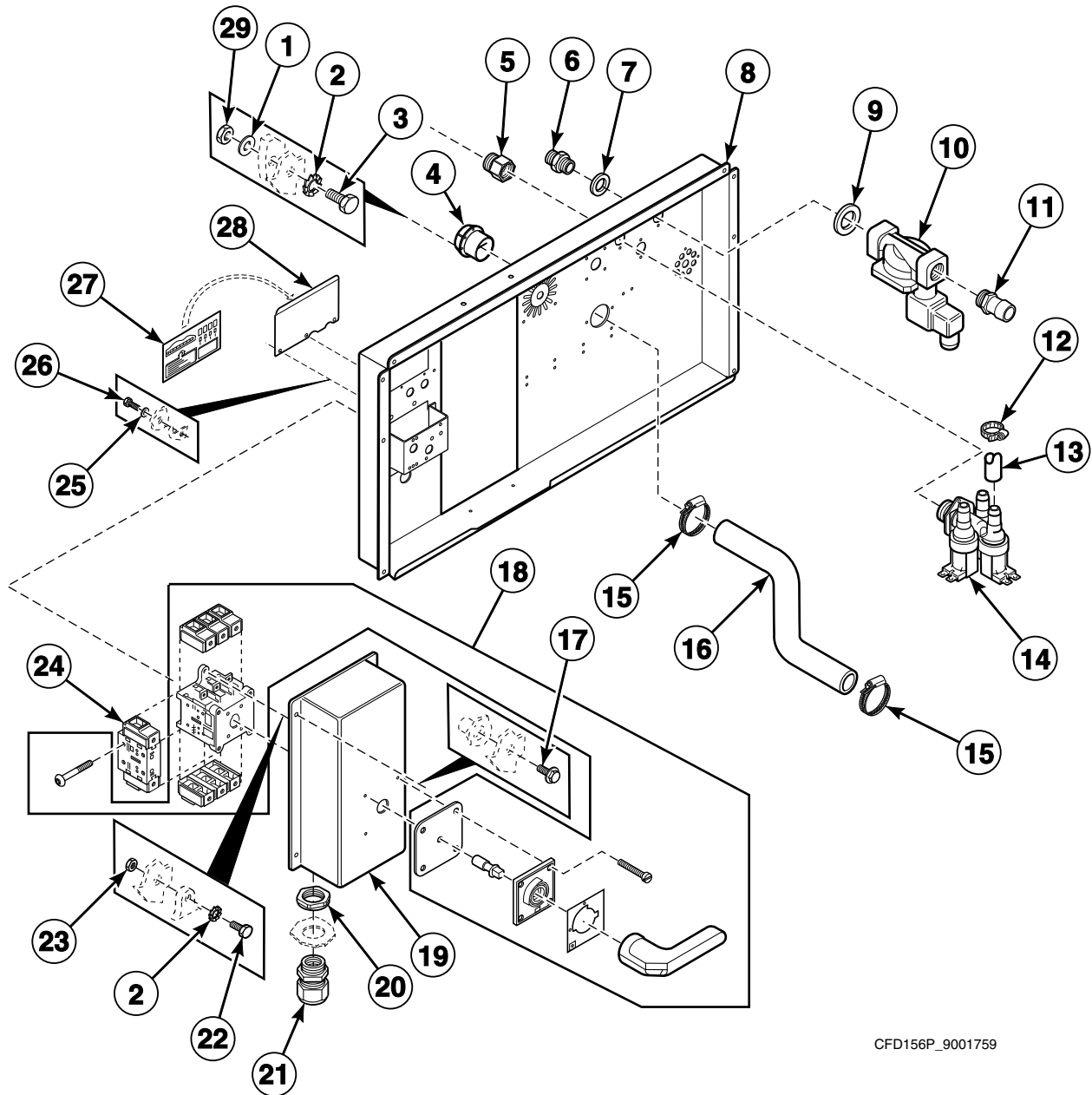


CFD155P_9001759

Upper Back Panel (Drawing 1 of 5)

REF	PART NO.	DESCRIPTION	COMMENTS
1	202/00102/00	Washer	
2	207/00110/00	Screw	
3	229/00068/02	Electrical Connection Sticker	
4	140/00010/01	Electrical Connection Cover	
5	204/00007/00	Nut	
6	202/00004/00	Washer	
7	203/00006/00	Washer	
8	206/00027/00	Bolt	
9	223/00102/07	Hose Vent	
10	803615	Washer	Filter
11	F200185	Water Hose	
12	20290	Washer	
13	223/00050/01	Water Valve Adapter	Converts valve from metric to standard thread
14	223/00255/00	Coupling Sleeve	
15	202/00121/00	Washer	
16	173/00008/00	Upper Rear Panel	
17	223/00272/00	Washer	
18	253/10521/00	Inlet Valve	Metric thread
	253/10526/00	Inlet Valve	Standard thread; F380997P Water Valve Repair Kit
19	223/00254/00	Nipple	
20	223/00010/00	Hose Clamp	No. 10
21	223/00044/00	Water Hose	
22	209/00277/00	3-Way Inlet Valve	Metric thread; Item 13 is required to convert from metric to standard thread
23	223/00014/00	Hose Clamp	
24	223/00211/00	Vent Hose	
25	204/00105/00	Nut	
26	205/00116/00	Bolt	
27	202/00101/00	Washer	
28	203/00004/00	Washer	
29	205/00104/00	Bolt	
30	209/00526/00	Main Switch	
31	153/00027/22	Switch Bracket	
32	209/00528/00	Terminal Block	Ground
33	209/00527/00	Terminal Block	Neutral

Upper Back Panel (Drawing 2 of 5)

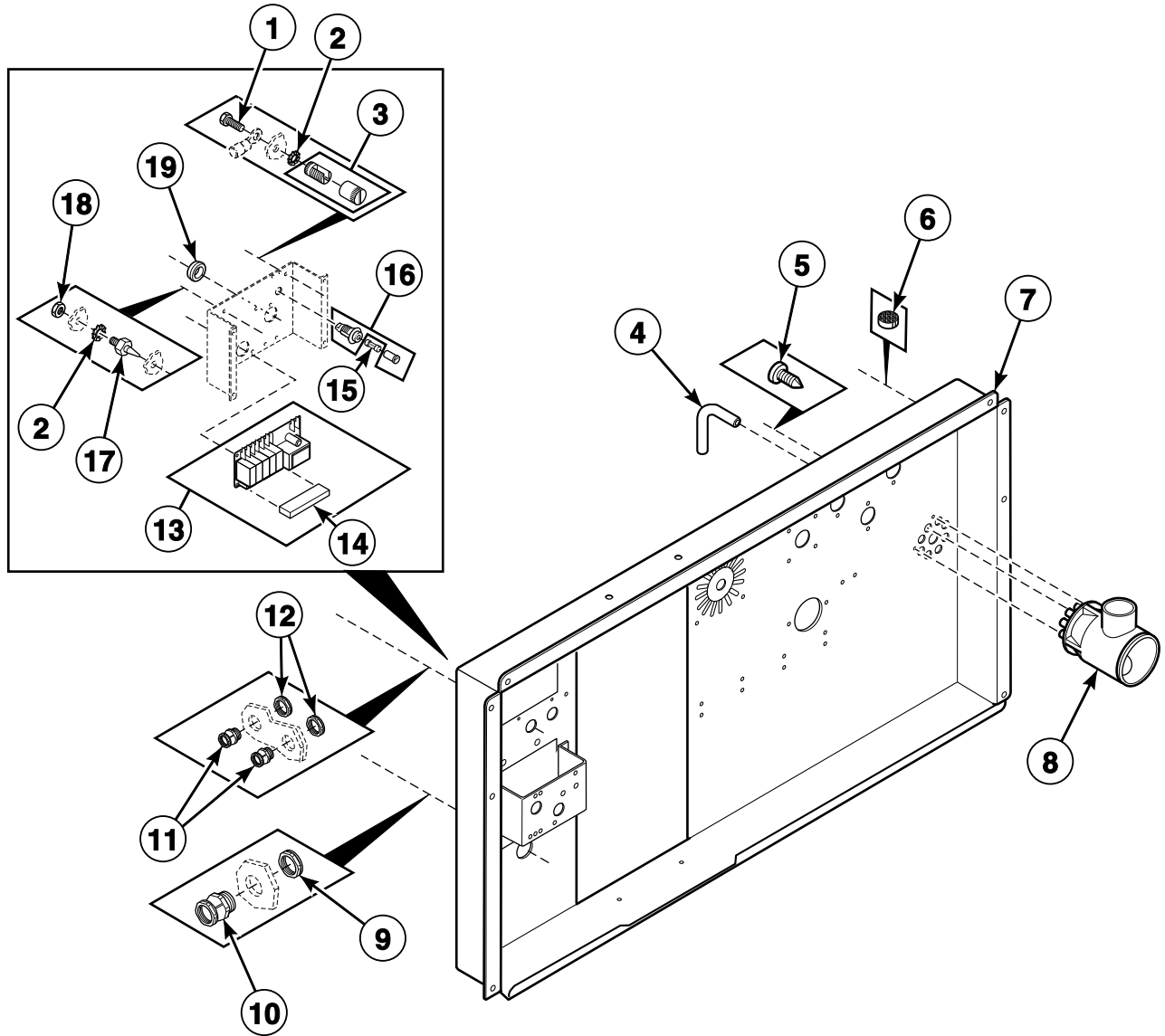


CFD156P_9001759

Upper Back Panel (Drawing 2 of 5)

REF	PART NO.	DESCRIPTION	COMMENTS
1	202/00004/00	Washer	
2	203/00006/00	Washer	
3	206/00027/00	Bolt	
4	223/00102/07	Hose Vent	
5	223/00050/01	Water Valve Adapter	Converts valve from metric to standard thread
6	223/00255/00	Coupling Sleeve	
7	202/00121/00	Washer	
8	173/00008/00	Upper Rear Panel	
9	223/00272/00	Washer	
10	253/10521/00	Inlet Valve	Metric thread
	253/10526/00	Inlet Valve	Standard thread
11	223/00254/00	Nipple	
12	223/00010/00	Hose Clamp	No. 10
13	223/00044/00	Water Hose	
14	209/00277/00	3-Way Inlet Valve	Metric thread; Item 5 is required to convert from metric to standard thread
15	223/00014/00	Hose Clamp	
16	223/00211/00	Vent Hose	
17	206/00099/00	Bolt	
18	209/00532/00	Main Switch	
19	173/00017/00	Main Switch Box	
20	211/00172/00	Nut	
21	211/00169/00	Strain Relief	
22	205/00116/00	Bolt	
23	204/00105/00	Nut	
24	209/00533/00	Terminal Block	Ground
25	202/00139/00	Washer	
26	207/00110/00	Screw	
27	229/00068/02	Electrical Connection Sticker	
28	140/00010/01	Electrical Connection Cover	
29	204/00007/00	Nut	

Upper Back Panel (Drawing 3 of 5)

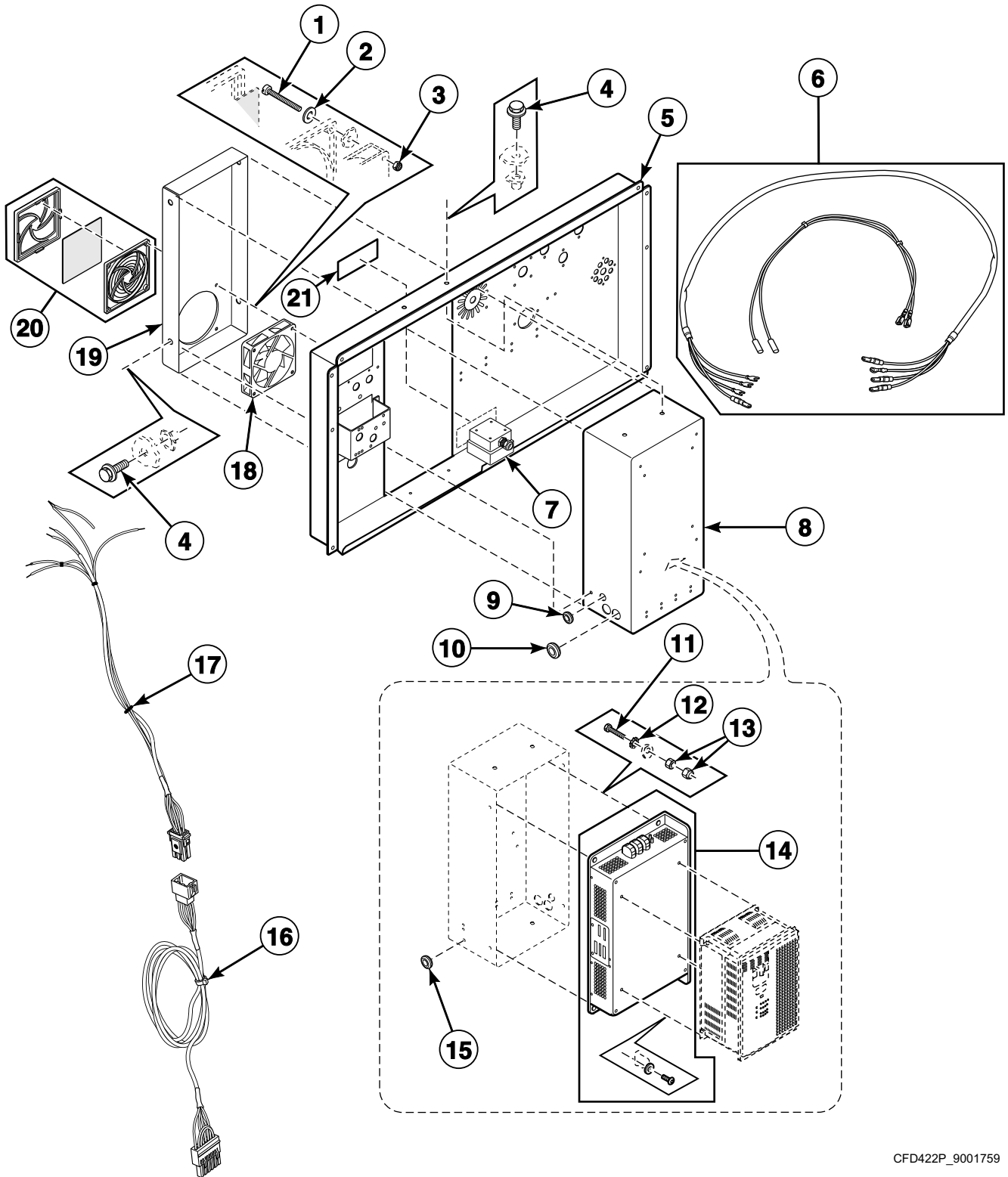


CFD126P_9001759

Upper Back Panel (Drawing 3 of 5)

REF	PART NO.	DESCRIPTION	COMMENTS
1	206/00088/00	Bolt	
2	203/00006/00	Washer	
3	209/00006/01	Ground Terminal	
4	223/00179/10	Pressure Hose	
5	B12347501	Screw	
6	211/00091/00	Plug	M20
	211/00087/00	Plug	30 mm
7	173/00008/00	Upper Rear Panel	
8	223/00249/00	Liquid Soap Manifold	
9	211/00172/00	Nut	
10	211/00169/00	Strain Relief	
11	211/00167/00	Cordlock	
12	211/00170/00	Nut	
13	209/00218/13	Soap Injection PCB with Fuse	Includes item 14
14	209/00996/00	Connector	
15	209/00468/00	Fuse	
16	209/00202/00	Fuse Holder	
17	211/00120/00	Standoff	
18	204/00007/00	Nut	
19	223/00198/00	Grommet	

Upper Back Panel (Drawing 4 of 5)

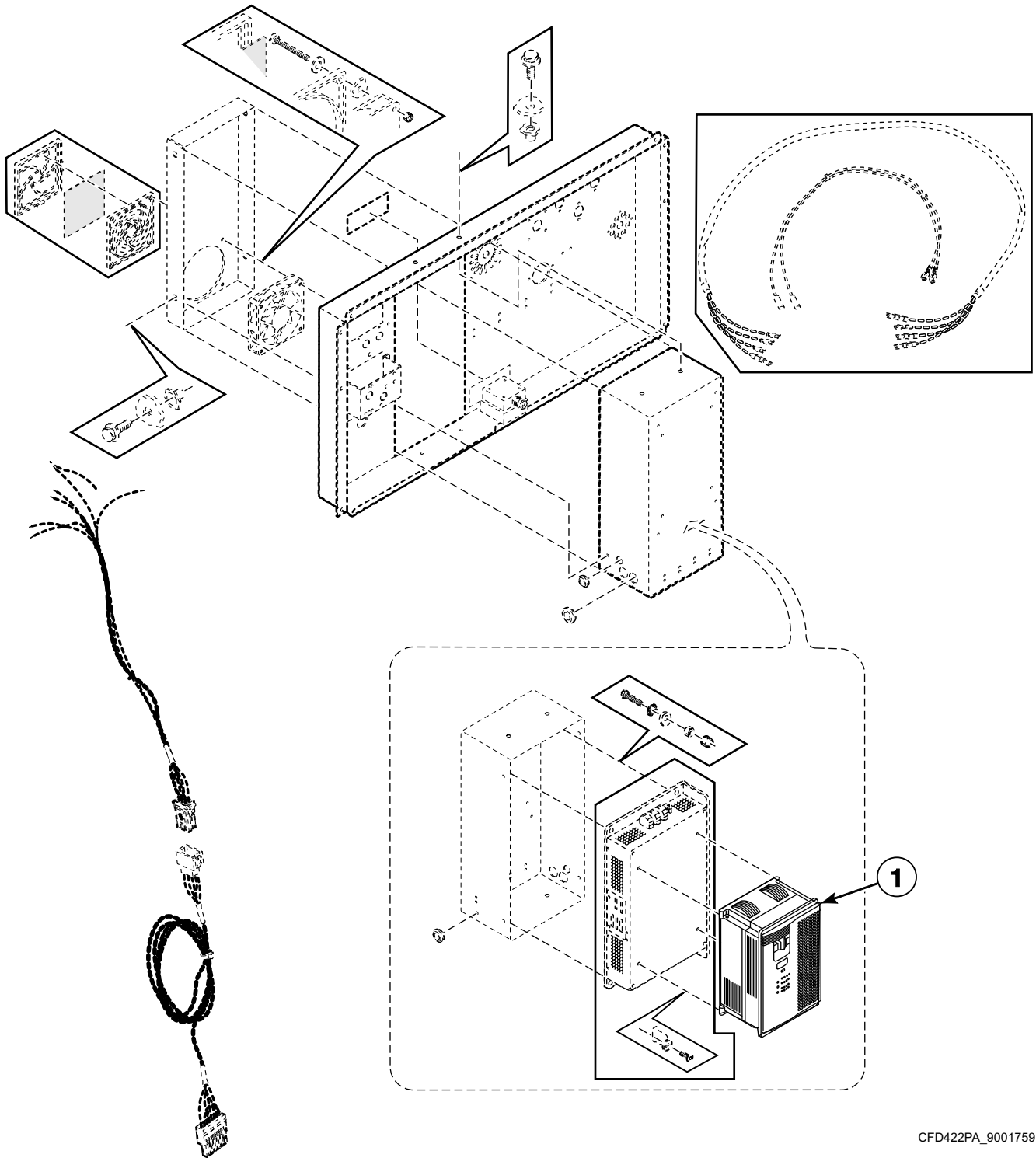


CFD422P_9001759

Upper Back Panel (Drawing 4 of 5)

REF	PART NO.	DESCRIPTION	COMMENTS
	227/00171/00	Parameter Unit Assembly	
	9001895	Parameter Unit Program Cable	
1	207/00031/00	Screw	
2	202/00004/00	Washer	
3	204/00114/00	Nut	
4	206/00099/00	Bolt	
5	173/00008/00	Upper Rear Panel	
6	210/30570/20	Inverter to Motor Harness	
7	209/00406/00	Transformer	480 to 240 Volt
	209/00311/00	Transformer	380 or 440 Volt to 220 Volt
8	173/00009/00	Inverter Box	
9	223/00174/00	Grommet	
10	223/00198/00	Grommet	
11	205/00108/00	Bolt	
12	203/00005/00	Washer	
13	204/00107/00	Nut	
14	227/00176/00	Inverter Drive Filter	380-480 Volt; Models CHF165ANH, HF730_CYGNUS-PREM_OPL, HF730_CYGNUS-PRO, HF730_PS40F, HF900_CYGNUS-PREM_OPL, HF900_CYGNUS-PRO, HF900_PS40F, HX165PVNU6, HX165PVNU7, HX165PVPU7, HX200PVNU7, HX200PVPU7, IHF165ANH, IHF165ZNH, IHF730ANH, IHF730ZNH, IHF900ANH, IHF900ZNH, SX165PVNU6, SX165PVNU7, SX165PVPU7, SX200PVNU7, SX200PVPU7, UX165PVNU6, UX165PVNU7, UX165PVPU6, UX165PVPU7, UX200PVNU7 and UX200PVPU7
	227/00182/00	Inverter Drive Filter	200-240 Volt; Models CHF165ANH, HF730_CYGNUS-PREM_OPL, HF730_CYGNUS-PRO, HF730_PS40F, HF900_CYGNUS-PREM_OPL, HF900_CYGNUS-PRO, HF900_PS40F, HX165PVQU6, HX165PVQU7, HX200PVQU7, IHF165ANH, IHF165ZNH, IHF730ANH, IHF730ZNH, IHF900ANH, IHF900ZNH, SX165PVQU6, SX165PVQU7, SX200PVQU7, UX165PVQU6, UX165PVQU7 and UX200PVQU7
15	223/00213/00	Grommet	
16	B12371101	Micro to Connector Harness	From the main control to the inverter drive; 200 Volt; Requires that the inverter jumper be in the 'sink' position
	210/01304/15	Micro to Connector Harness	From the main control to the inverter drive; 400 Volt; Requires that the inverter jumper be in the 'source' position
17	210/01064/14	Connector to Inverter Harness	From the main control to the inverter drive
18	209/00287/00	Cooling Fan	
19	173/00009/04	Inverter Box Top	
20	209/00465/01	Fan Grill	Models through 10/5/08
	209/00287/11	AC Drive Filter	Models starting 10/6/08
21	B12355001	Voltage Discharge Decal	

Upper Back Panel (Drawing 5 of 5)

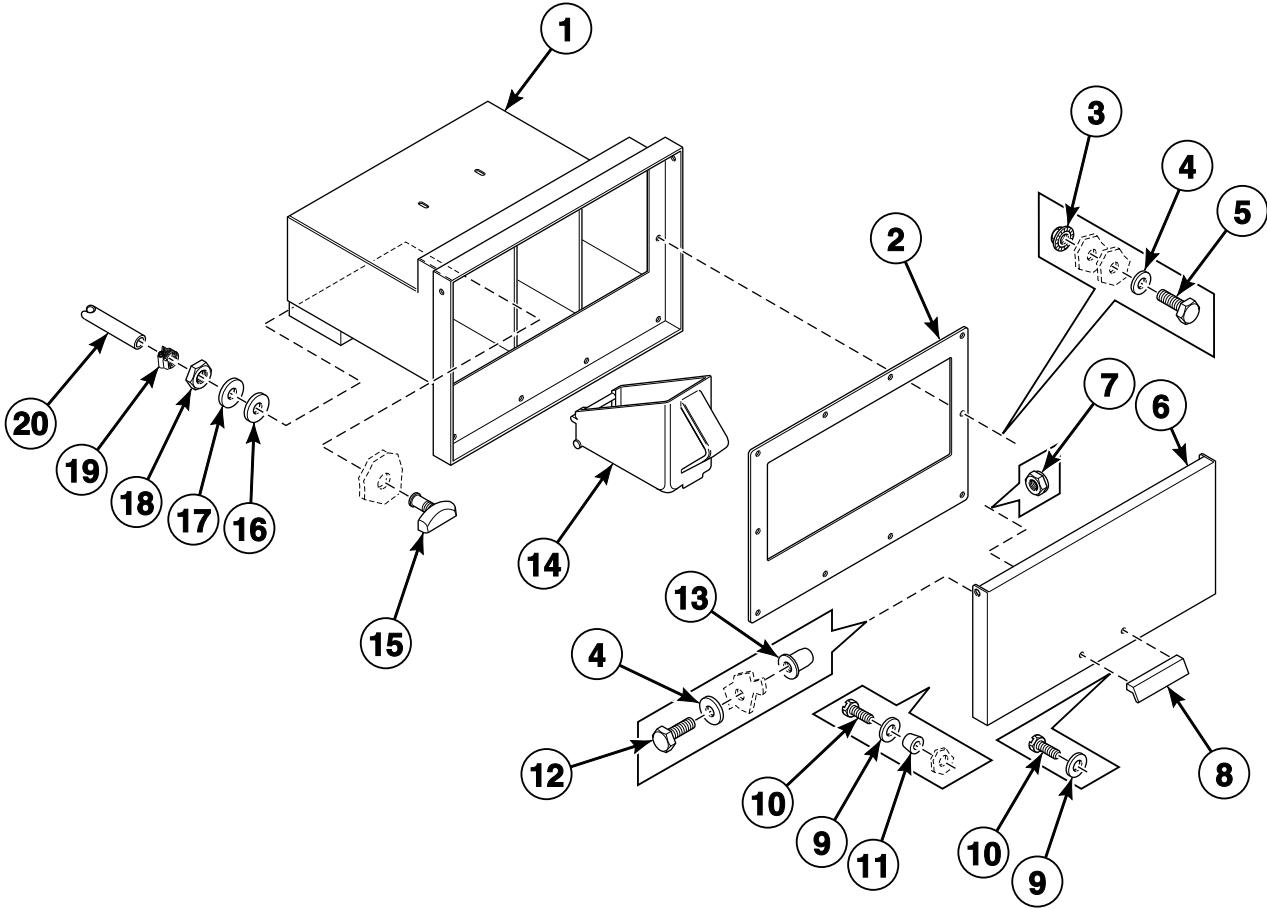


CFD422PA_9001759

Upper Back Panel (Drawing 5 of 5)

REF	PART NO.	DESCRIPTION	COMMENTS
1	227/00219/00	Inverter	15 kW; 200 Volt; A700-series; Models HF900_CYGNUS-PREM_OPL, HF900_CYGNUS-PRO and IHF900ZNH; When replacing either the 11 kW motor or inverter drive with a 15 kW motor or inverter drive, both the 11 kW motor and inverter drive must be replaced with a 15 kW motor and inverter drive
	227/00213/00	Inverter	15 kW; 400 Volt; A700-series; Models HF900_CYGNUS-PREM_OPL, HF900_CYGNUS-PRO and IHF900ZNH; When replacing either the 11 kW motor or inverter drive with a 15 kW motor or inverter drive, both the 11 kW motor and inverter drive must be replaced with a 15 kW motor and inverter drive
	227/00207/00	Inverter	11 kW; 240 Volt; A700-series; Models HF730_CYGNUS-PREM_OPL, HF730_CYGNUS-PRO, IHF165ZNH and IHF730ZNH; For *X200 and *HF900 models made before Serial No. 0902900007 contact customer service for replacement information
	227/00208/00	Inverter	11 kW; 400 Volt; A700-series; Models HF730_CYGNUS-PRO, HF730_PS40F, IHF165ZNH and IHF730ZNH; For *X200 and *HF900 models made before Serial No. 0902900007 contact customer service for replacement information
	F8421021	Inverter Drive Kit	Used to convert from 500 to 700-series inverter drive; *165 and *730 models; 200 Volt/3 phase; 11 kW motor
	F8421121	Drive	700-series; *165 and *730 models; 200 Volt/3 phase; 11 kW motor
	F8421022	Inverter Drive Kit	Used to convert from 500 to 700-series inverter drive; *165 and *730 models; 400 Volt/3 phase; 11 kW motor
	F8421122	Drive	700-series; *165 and *730 models; 400 Volt/3 phase; 11 kW motor
	F8421023	Inverter Drive Kit	Used to convert from 500 to 700-series inverter drive; *200 and *900 models; 200 Volt/3 phase; 15 kW motor
	F8421123	Drive	700-series; *200 and *900 models; 200 Volt/3 phase; Used with 11 kW motor
	F8421125	Drive	700-series; *200 and *900 models; 200 Volt/3 phase; Used with 15 kW motor
	F8421024	Inverter Drive Kit	Used to convert from 500 to 700-series inverter drive; *200 and *900 models; 400 Volt/3 phase; 15 kW motor
	F8421124	Drive	700-series; *200 and *900 models; 400 Volt/3 phase; Used with 11 kW motor
	F8421126	Drive	700-series; *200 and *900 models; 400 Volt/3 phase; Used with 15 kW motor

Supply Dispenser - Models Through 4/30/2009

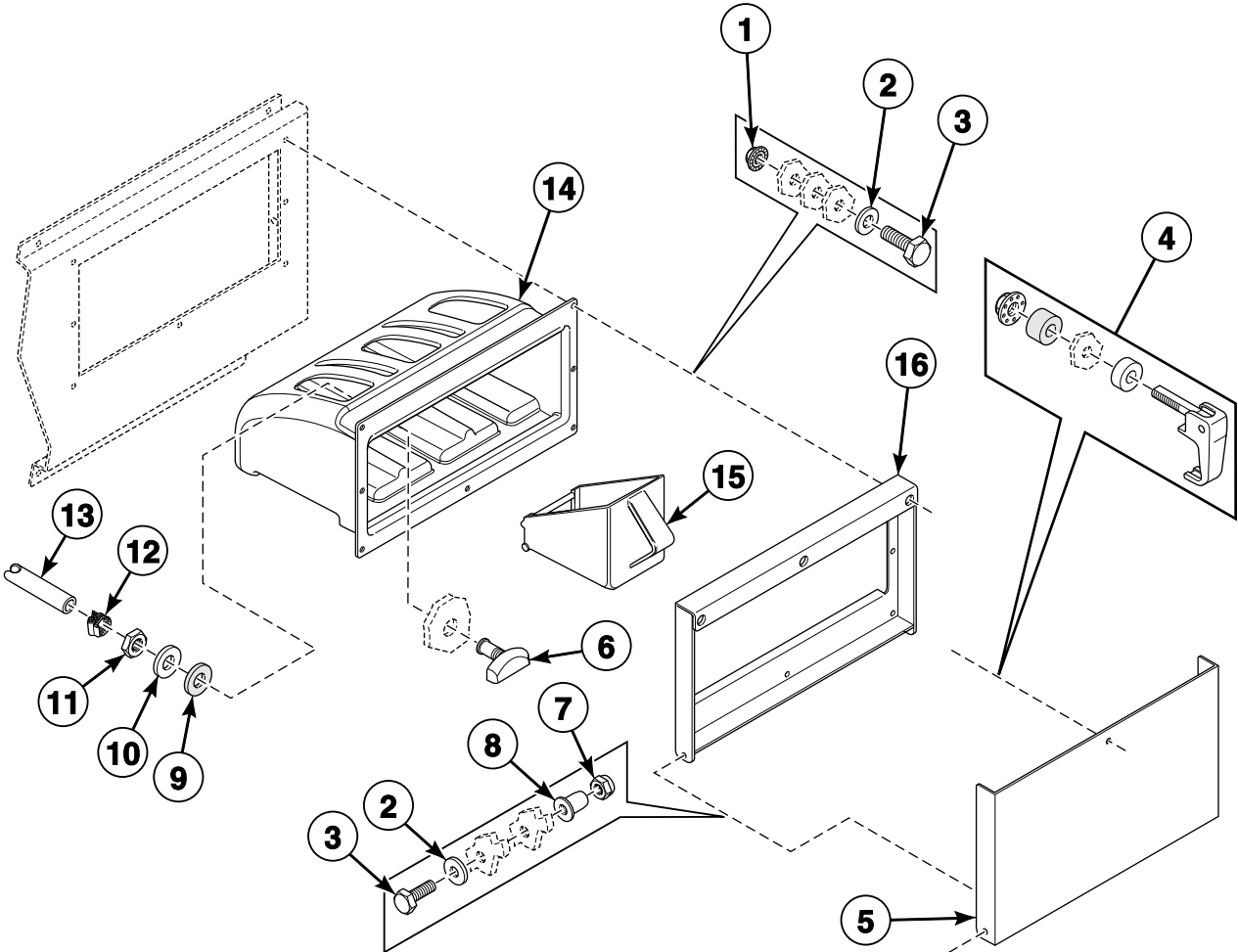


CFD61P_9001759

Supply Dispenser - Models Through 4/30/2009

REF	PART NO.	DESCRIPTION	COMMENTS
1	153/00072/00	Soap Dispenser	
2	153/00071/00	Soap Dispenser Cover Plate	
3	206/00101/00	Nut	
4	202/00101/00	Washer	
5	205/00105/00	Bolt	
6	153/00070/00	Soap Dispenser Cover	
7	204/00009/00	Nut	
8	223/00008/05	Soap Dispenser Cover Handle	
9	202/00102/00	Washer	
10	207/00110/00	Screw	
11	223/00008/01	Handle Grommet	
12	207/00126/00	Screw	
13	204/00301/00	Bushing	
14	253/00012/02	Soap Dispenser Cup	
15	223/00001/04	Prewash and Mainwash Nozzle	
16	223/00001/07	Washer	
17	201/00002/00	Washer	
18	204/00201/00	Nut	
19	223/00010/00	Hose Clamp	No. 10
20	223/00044/00	Water Hose	

Supply Dispenser - Models Starting 5/1/2009

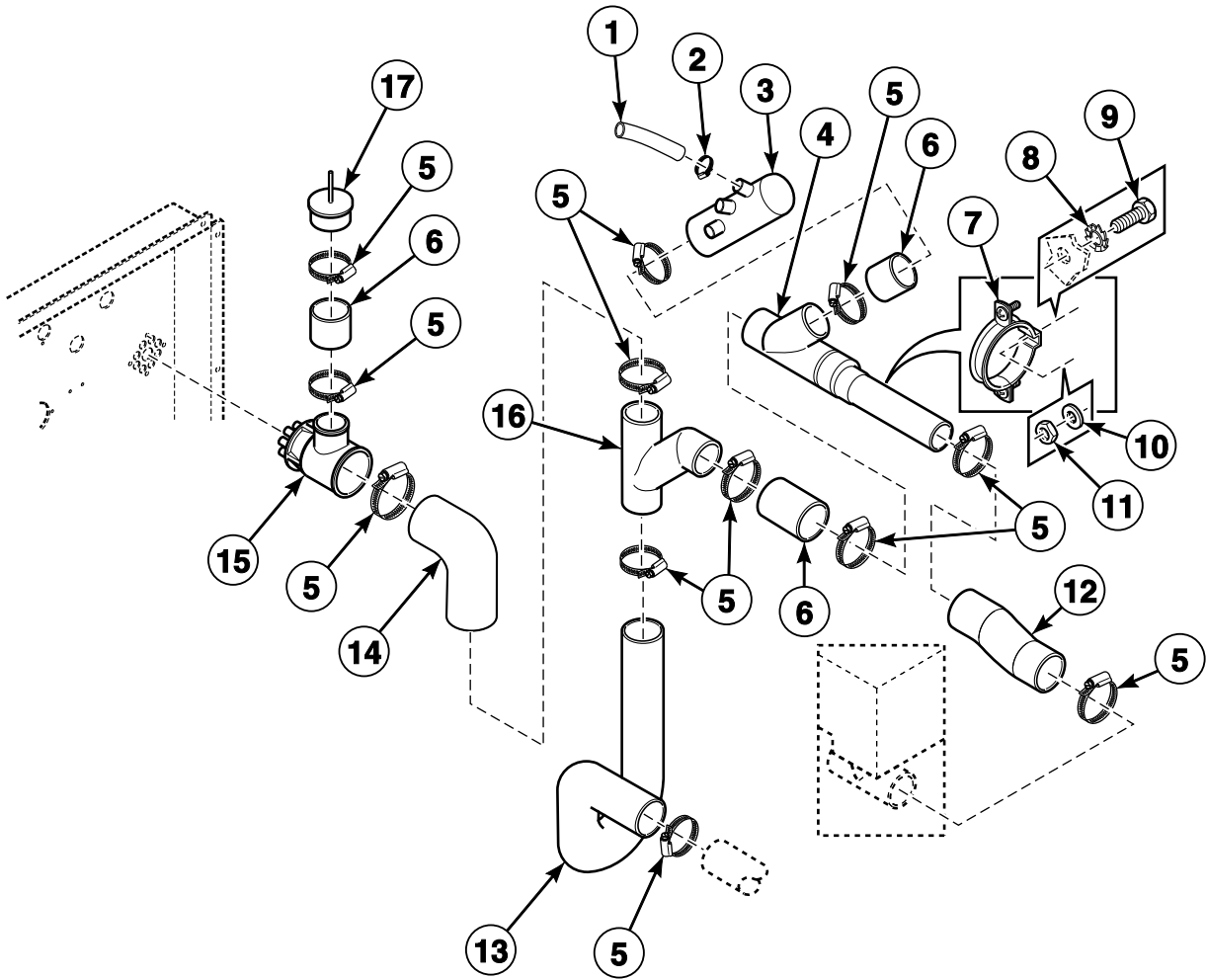


BE000920P_9001759

Supply Dispenser - Models Starting 5/1/2009

REF	PART NO.	DESCRIPTION	COMMENTS
1	206/00101/00	Nut	
2	202/00101/00	Washer	
3	205/00104/00	Bolt	
4	223/00392/00	Supply Dispenser Handle	
5	153/00089/00	Supply Dispenser Cover	
6	223/00001/04	Prewash and Mainwash Nozzle	
7	204/00009/00	Nut	
8	204/00301/00	Bushing	
9	223/00001/07	Washer	
10	201/00002/00	Washer	
11	204/00201/00	Nut	
12	223/00010/00	Hose Clamp	
13	223/00044/00	Water Hose	
14	223/00345/01	Supply Dispenser Box	

Plumbing (Drawing 1 of 3)

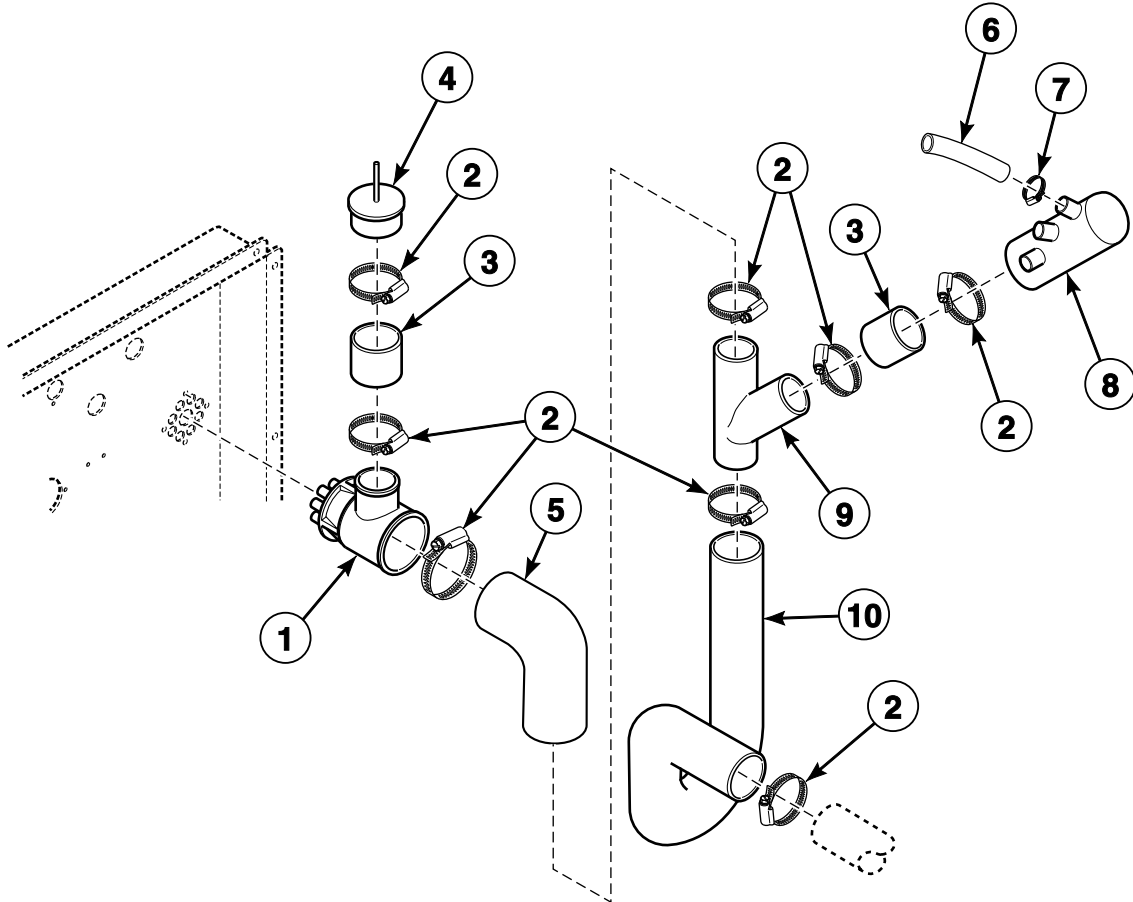


BE000572CP_9001759

Plumbing (Drawing 1 of 3)

REF	PART NO.	DESCRIPTION	COMMENTS
1	223/00269/00	Water Hose	
2	223/00223/00	Hose Clamp	
3	153/00116/00	Manifold	
4	253/00021/00	Reducing Tee	
5	223/00071/00	Hose Clamp	
6	223/00141/00	Drain Valve to Drain Pipe Hose	
7	253/00019/00	Clamp	
8	203/00004/00	Washer	
9	205/00105/00	Bolt	
10	202/00110/00	Washer	
11	204/00106/00	Nut	
12	223/00107/02	Vent Hose	
13	223/00187/00	Soap Dispenser to Tub Hose	
14	223/00302/00	Elbow	
15	223/00249/00	Liquid Soap Manifold	
16	253/00030/00	Y Pipe	
17	253/00035/00	Y Pipe	

Plumbing (Drawing 2 of 3)



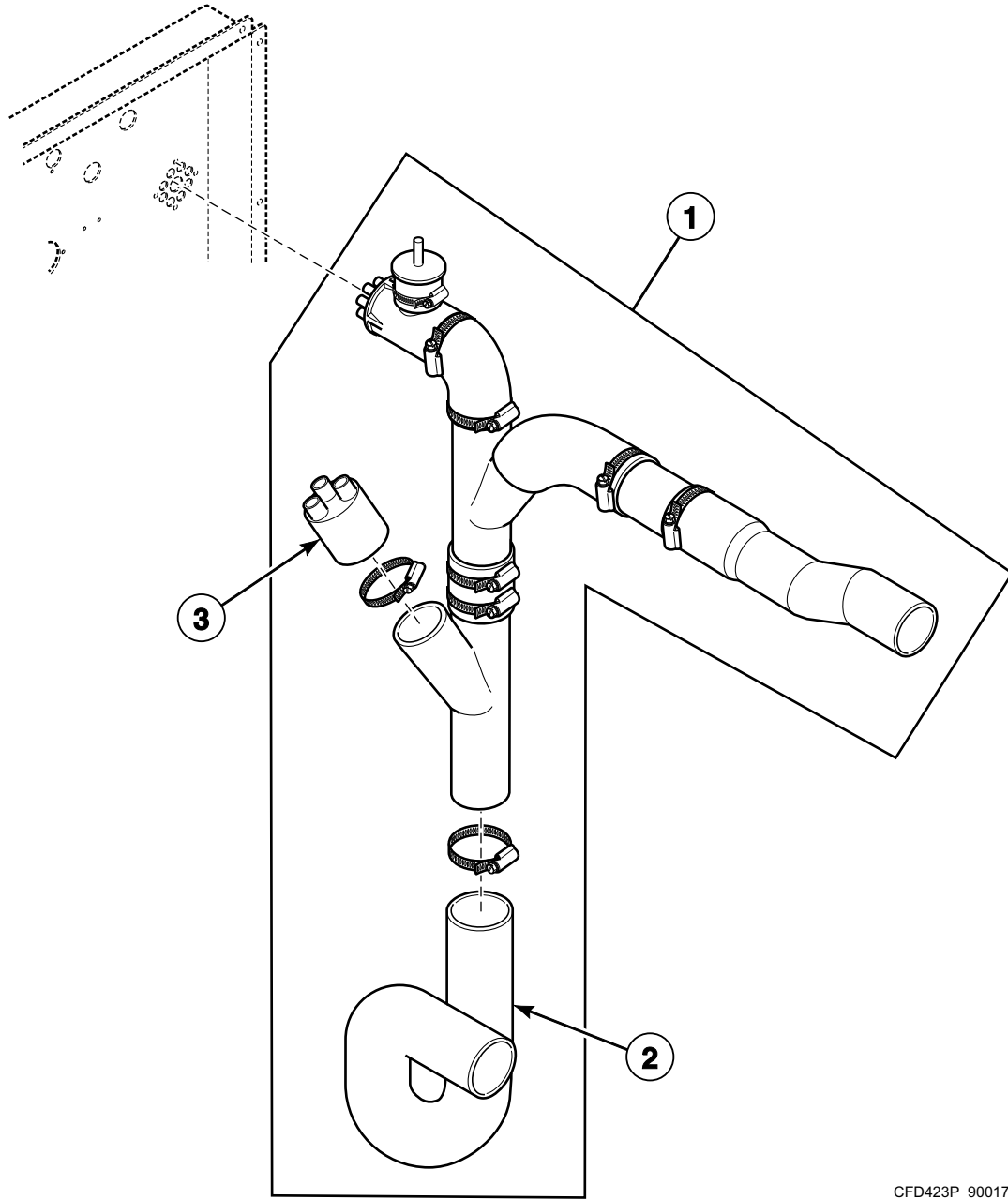
BE000571CP_9001759

Plumbing (Drawing 2 of 3)

REF	PART NO.	DESCRIPTION	COMMENTS
1	223/00249/00	Liquid Soap Manifold	
2	223/00071/00	Hose Clamp	
3	223/00141/00	Drain Valve to Drain Pipe Hose	
4	253/00035/00	Y Pipe	
5	223/00302/00	Elbow	
6	223/00269/00	Water Hose	
7	223/00223/00	Hose Clamp	
8	173/00026/00	Manifold	
9	253/00017/00	Y Pipe	
10	223/00187/00	Soap Dispenser to Tub Hose	

Plumbing (Drawing 3 of 3)

*HF165, *HF730 and *X165 Models Starting Serial No. 11010740003
*HF900 and *X200 Models Starting Serial No. 11010900006

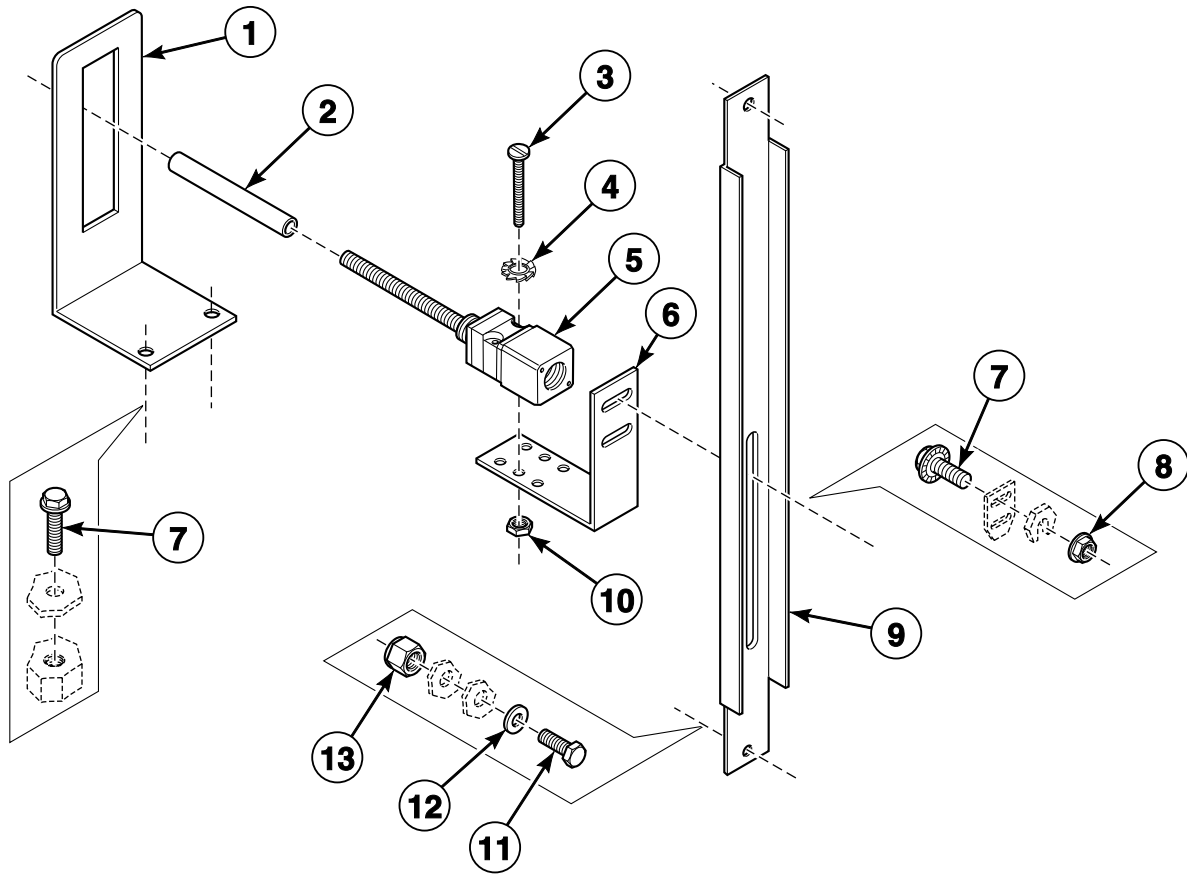


CFD423P_9001759

Plumbing (Drawing 3 of 3)

REF	PART NO.	DESCRIPTION	COMMENTS
1	B12374201	Plumbing Assembly	*HF165, *HF730 and *X165 models
	B12374301	Plumbing Assembly	*HF900 and *X200 models
2	223/00187/00	Soap Dispenser to Tub Hose	
3	173/00056/00	Liquid Soap Manifold	

Balance Switch

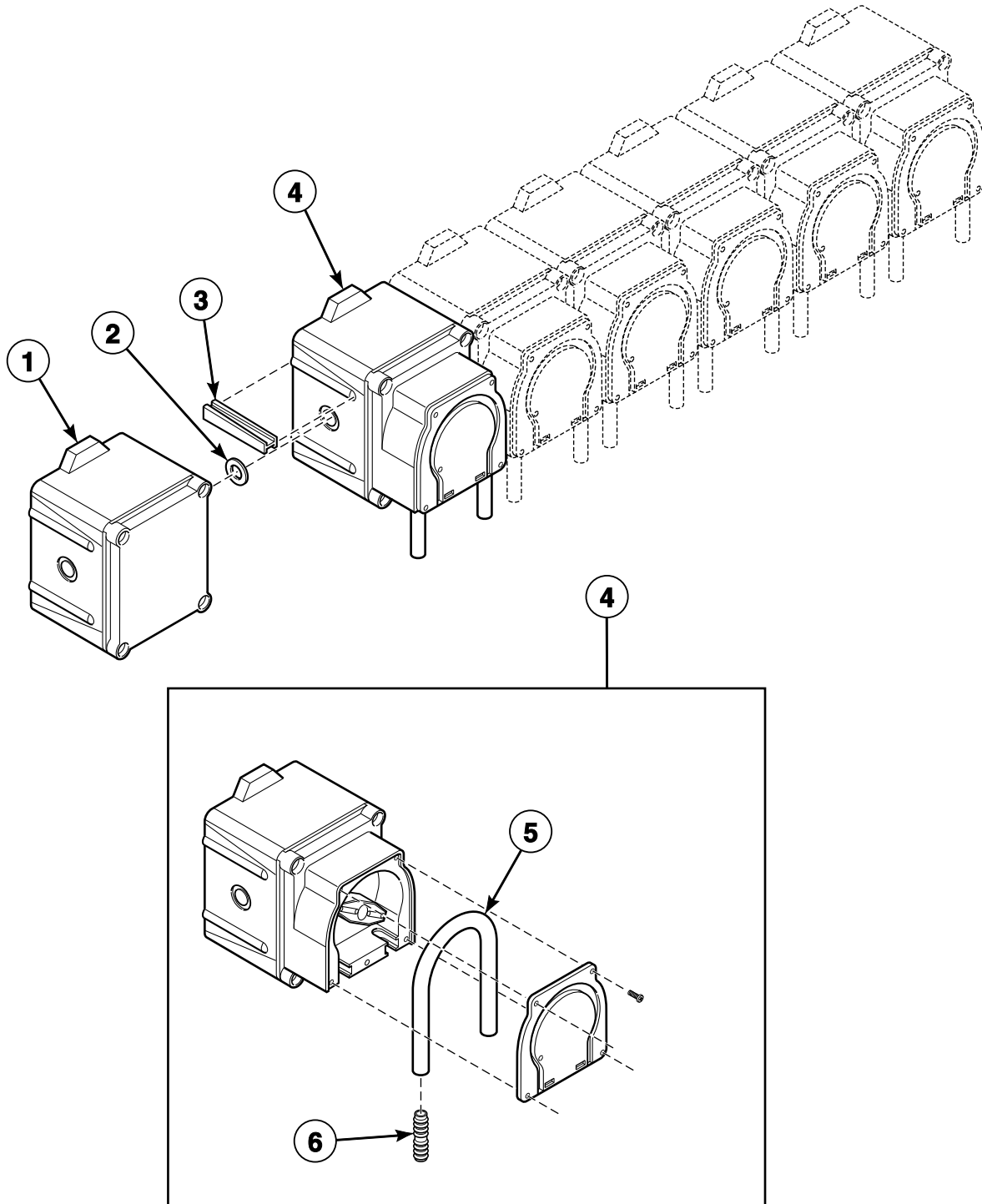


CFD64P_9001759

Balance Switch

REF	PART NO.	DESCRIPTION	COMMENTS
1	153/00046/00	Out-of-Balance Detector Plate	
2	223/00246/00	Out-of-Balance Switch Boot	
3	207/00018/00	Screw	
4	203/00006/00	Washer	
5	209/00255/00	Out-of-Balance Switch	
6	111/00107/00	Tilt Switch Bracket	
7	206/00099/00	Bolt	
8	206/00101/00	Nut	
9	153/00045/00	Out-of-Balance Switch Plate	
10	204/00007/00	Nut	
11	205/00107/00	Bolt	
12	202/00101/00	Washer	
13	204/00009/00	Nut	

Soap Pumps

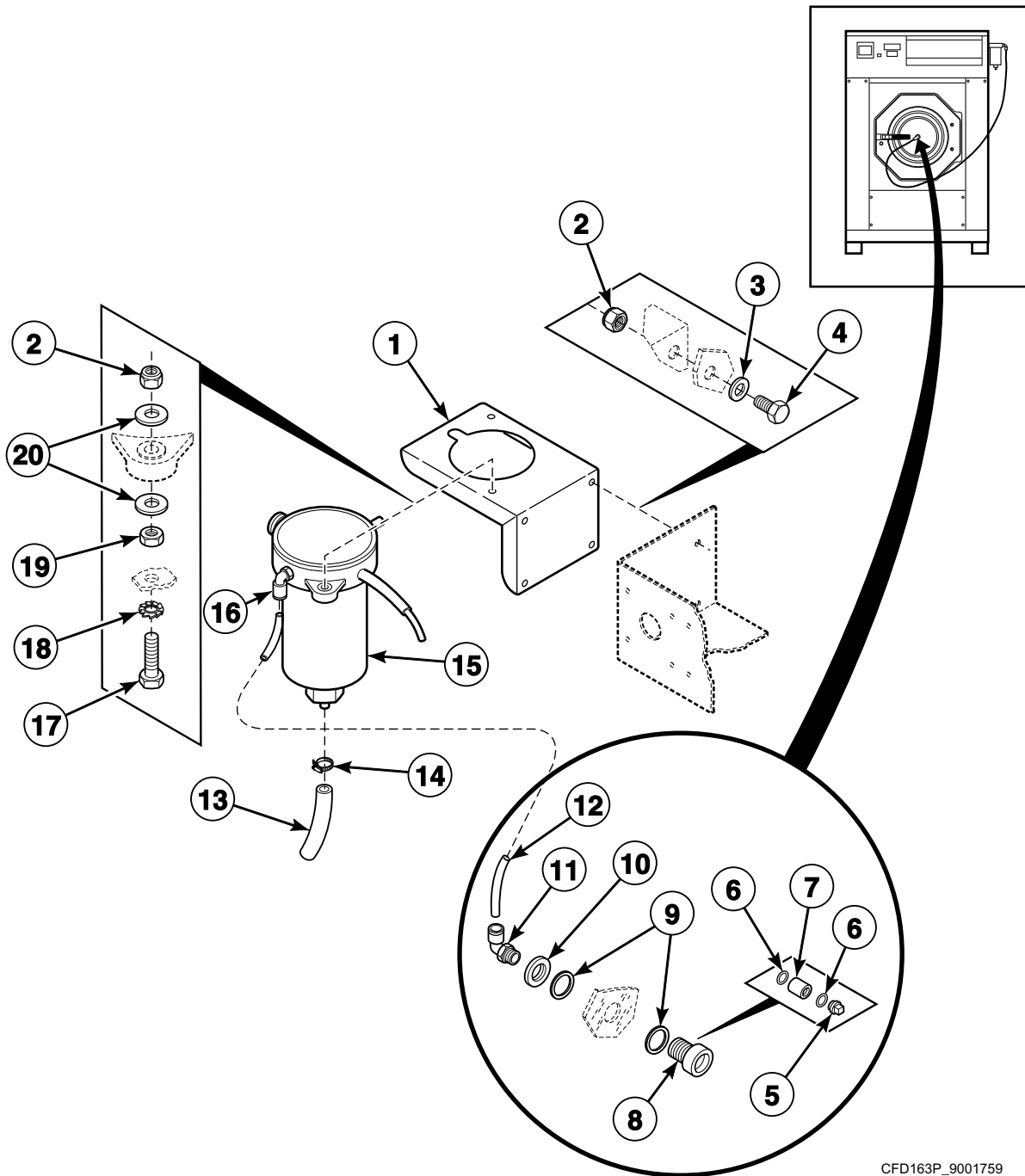


BE000499AP_9001759

Soap Pumps

REF	PART NO.	DESCRIPTION	COMMENTS
1	209/00555/01	Soap Pump Assembly	Feeding and 1 pump
	209/00555/02	Soap Pump Assembly	Feeding and 2 pumps
	209/00555/03	Soap Pump Assembly	Feeding and 3 pumps
	209/00555/04	Soap Pump Assembly	Feeding and 4 pumps
	209/00555/05	Soap Pump Assembly	Feeding and 5 pumps
	209/00555/06	Soap Pump Assembly	Feeding and 6 pumps
	209/00554/51	Feeding Liquid Soap Dosing Pump	
2	209/00554/52	Liquid Soap Dosing Pump O-Ring	
3	209/00554/53	Liquid Soap Dosing Pump Connection Piece	
4	209/00555/50	Liquid Soap Dosing Pump	
5	209/00555/98	Dosing Pump Hose	
6	209/00555/99	Dosing Pump Hose Connector	

Spray Pump

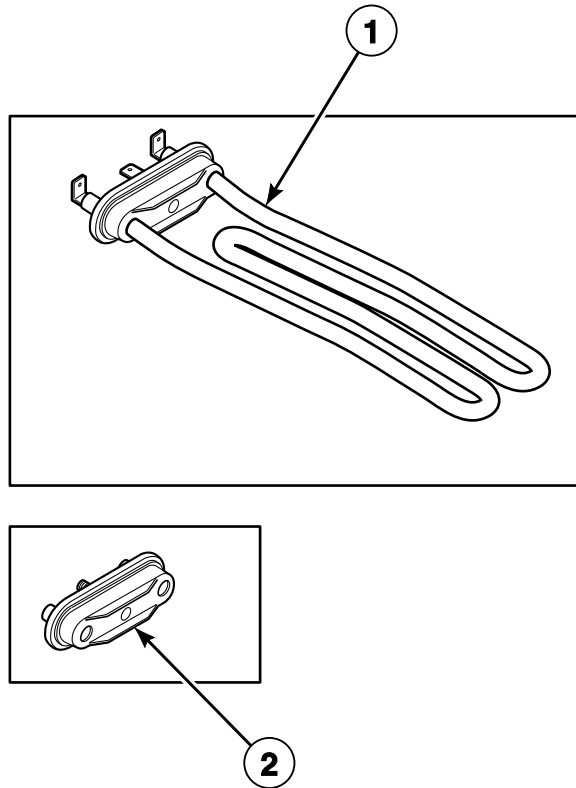


CFD163P_9001759

Spray Pump

REF	PART NO.	DESCRIPTION	COMMENTS
1	111/10179/00	Spray Pump Mounting Plate	
2	204/00009/00	Nut	
3	201/00007/00	Washer	
4	205/00107/00	Bolt	
5	223/00178/00	Soap Injector Orifice	
6	223/00177/00	O-Ring	
7	211/00126/00	Soap Injector Orifice Nipple	
8	211/00127/00	Soap Injector Connector	
9	223/00176/00	O-Ring	
10	211/10106/00	Nut	
11	223/00182/00	Soap Injector Coupling	
12	223/00180/00	Soap Injector Hose	
13	223/00179/10	Pressure Hose	
14	211/00088/00	Cable Tie	
15	209/00369/00	Liquid Soap Spray Pump	
16	223/00181/00	Soap Injector Elbow Coupling	
17	205/00103/00	Bolt	
18	203/00004/00	Washer	
19	204/00106/00	Nut	
20	202/00101/00	Washer	

Electric Heating Option

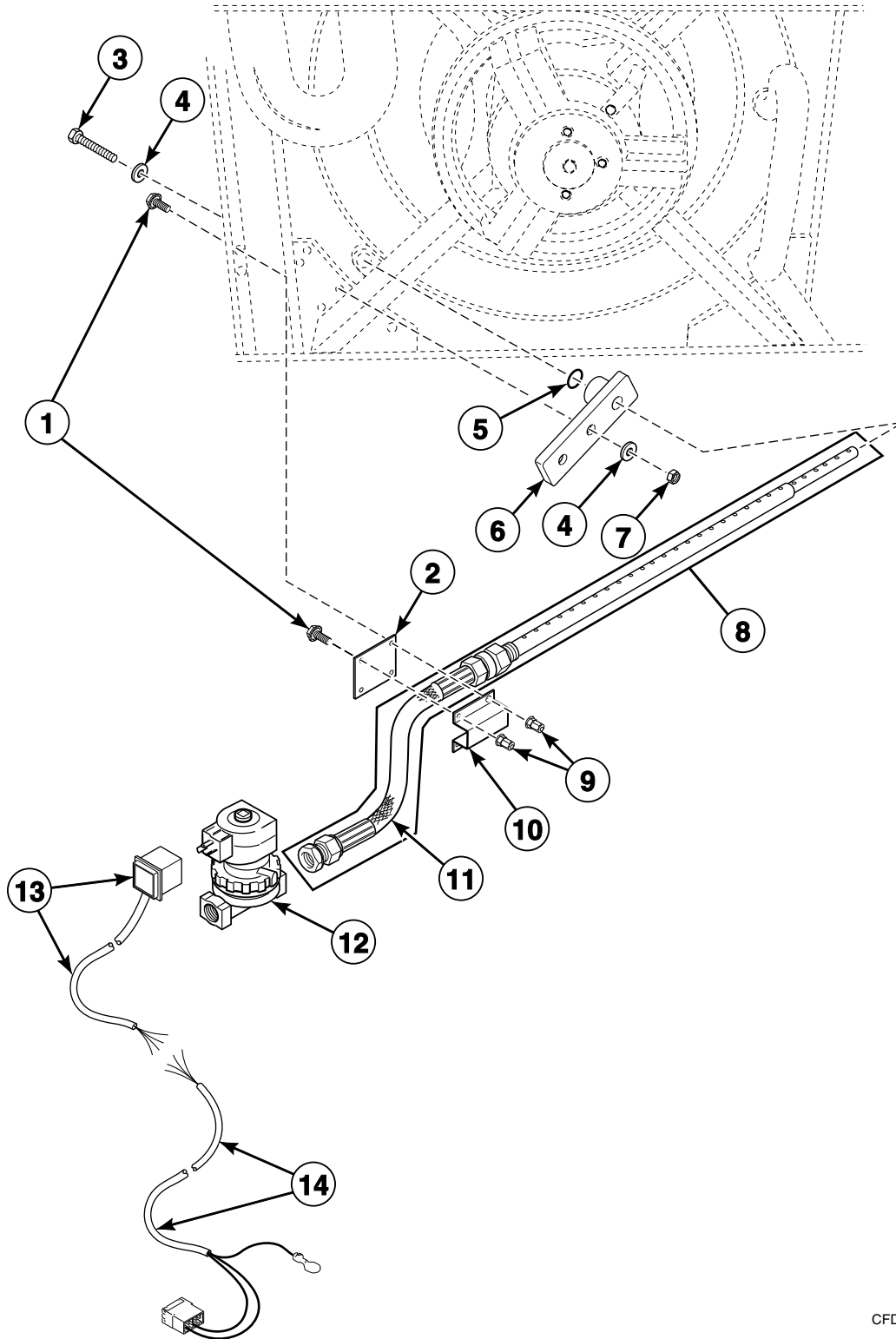


CFD84P_9001759

Electric Heating Option

REF	PART NO.	DESCRIPTION	COMMENTS
1	209/00562/20	Heating Element	3000W, 220/240 Volt
	209/00581/10	Heating Element	4000W, 380 Volt
2	209/00196/00	Heating Element Plug	

Steam Heating Option - *HF165, *HF730 and *X165 Models

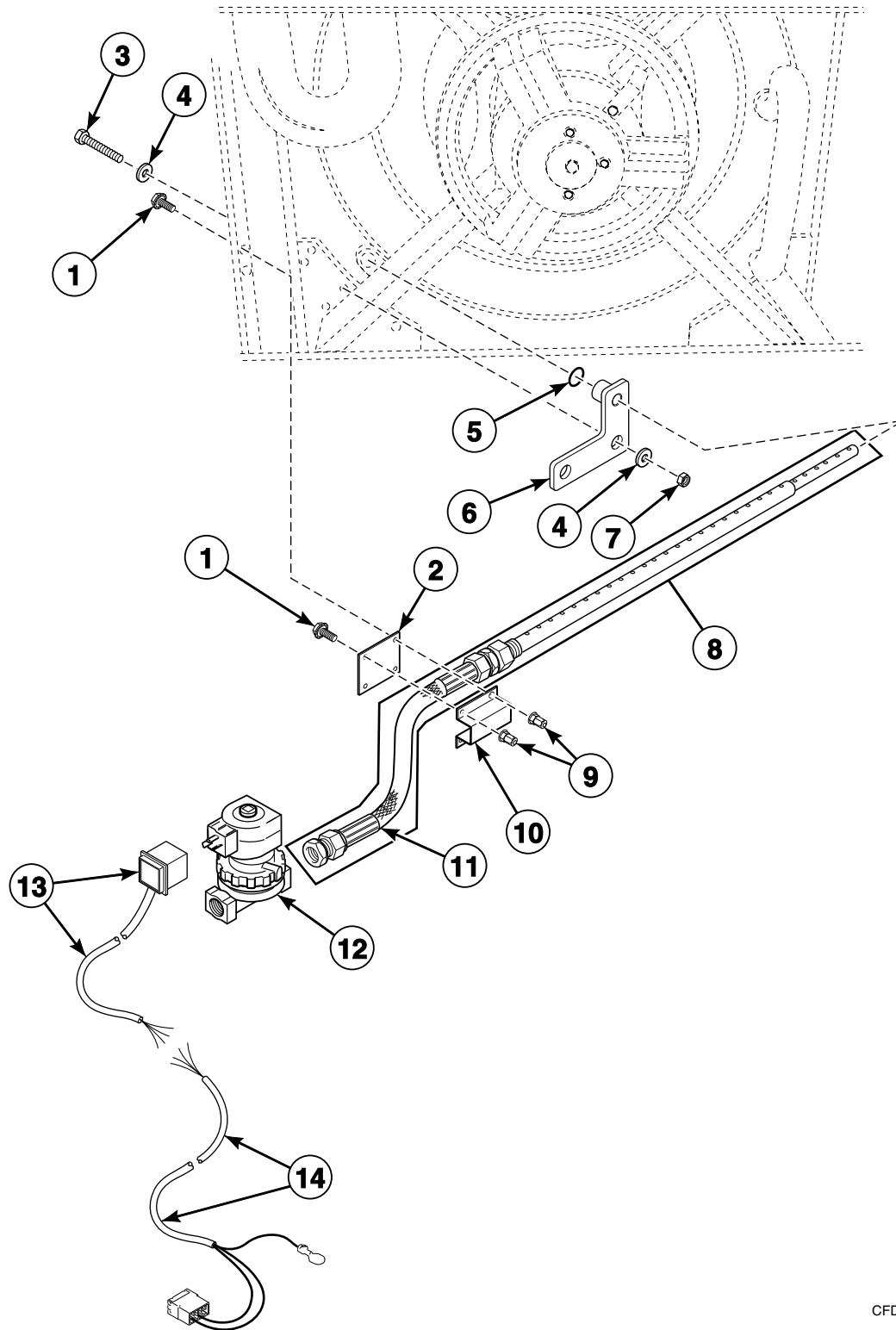


CFD208P_9001759

Steam Heating Option - *HF165, *HF730 and *X165 Models

REF	PART NO.	DESCRIPTION	COMMENTS
	861P3	Steam Heat Kit	Includes items 1, 2 and 8-13
1	206/00099/00	Bolt	
2	173/00018/10	Steam Injector Pipe Clamp Plate	
3	206/00091/00	Screw	Models starting 1/26/06
4	201/00027/00	Washer	Models starting 1/26/06
5	223/00350/00	O-Ring	Models starting 1/26/06
6	173/00032/00	Steam Injector Bracket	Models starting 1/26/06
7	204/00118/00	Nut	Models starting 1/26/06
8	119/00086/00	Steam Injector	Includes item 11
9	206/00101/00	Nut	
10	173/00018/00	Steam Injector Pipe Clamp	
11	217/00033/00	Steam Hose	
12	253/10520/00	Steam Valve	
13	F605220	Steam Valve Harness	
14	210/01304/03	Main Control Heat Harness	

Steam Heating Option - *HF900 and *X200 Models



CFD353P_9001759

Steam Heating Option - *HF900 and *X200 Models

REF	PART NO.	DESCRIPTION	COMMENTS
	861P3	Steam Heat Kit	Includes items 1, 2 and 8-13
1	206/00099/00	Bolt	
2	173/00018/10	Steam Injector Pipe Clamp Plate	
3	206/00091/00	Screw	Models starting 1/26/06
4	201/00027/00	Washer	Models starting 1/26/06
5	223/00350/00	O-Ring	Models starting 1/26/06
6	190/00032/00	Steam Injector Bracket	Models starting 1/26/06
7	204/00118/00	Nut	Models starting 1/26/06
8	119/00086/00	Steam Injector	Incudes item 11
9	206/00101/00	Nut	
10	173/00018/00	Steam Injector Pipe Clamp	
11	217/00033/00	Steam Hose	
12	253/10520/00	Steam Valve	
13	F605220	Steam Valve Harness	
14	210/01304/03	Main Control Heat Harness	

Parts Index

A

AC Drive Filter	
209/00287/11	61

B

Bearing	
253/00164/00	19, 21, 23, 25
253/00165/00	19, 21
Bearing Housing	
253/10505/00	15, 17, 19, 21
253/10522/00	19
Bearing Replacement Kit	
895P3	19
Bearing Retainer	
253/10507/00	19, 21
253/10523/00	19, 21
Bearing Sleeve	
253/10506/00	23, 25
Bearing Spacer	
253/10513/00	19, 21
253/10514/00	19, 21
Bearing Tool Kit	
245/00059/00	19
Belt	
253/00163/00	25
Blind Rivet	
F8245101	35
Bolt	
205/00102/00	15, 17, 19, 21
205/00103/00	79
205/00104/00	53, 55, 67
205/00105/00	15, 17, 53, 65, 69
205/00107/00	75, 79
205/00108/00	61
205/00116/00	55, 57
205/00122/00	37, 39
205/00123/00	35
206/00003/00	27
206/00004/00	27
206/00009/00	29
206/00027/00	55, 57
206/00042/00	51
206/00071/00	13
206/00088/00	59
206/00099/00	15, 17, 43, 45, 47, 49, 51, 53, 57, 61, 75, 83, 85
206/00122/00	15, 17
206/00147/00	25
224/00046/00	13
248/00114/00	27
253/00158/178	37, 39
253/00158/180	37, 39
253/00158/182	37, 39
253/00158/430	35
253/00158/561	37, 39
Bushing	
204/00301/00	65, 67

C

Cable Tie	
211/00088/00	79
Circuit Board Cover	
229/00262/00	43
229/00262/50	41
229/00289/00	45, 47
Clamp	
253/00019/00	69
Coil	
209/00051/21	31, 33
209/00052/21	31, 33
209/00203/21	31
209/00212/11	33
Connector	
209/00996/00	59
Connector to Inverter Harness	
210/01064/14	61
Contact Block	
44018701	41
44018901	41
Contact Switch	
209/00099/26	43, 45, 47
Contacto	
209/00041/04	49
209/00148/02	49
Cooling Fan	
209/00287/00	27, 61
Cordlock	
211/00167/00	59
Counterweight	
253/10504/00	15, 17
Coupling Sleeve	
223/00255/00	55, 57
Cylinder and Shaft Assembly	
B12402701	23, 25
B12464301	25

D

Datacard	
209/02022/00	45, 47
Datacard Cover	
223/00348/00	45, 47
Display	
209/00580/03	41
Display and Printboard	
209/02002/Z02	45
Door	
173/00028/00	37
173/00040/00	39
Door Glass	
253/00515/749	37
253/00515/754	39
Door Glass Gasket	
253/00515/750	37
Door Glass Seal	
223/00346/00	39

N/A items do not appear in index.

Door Glass Seal Retaining Ring 173/00041/00	39	209/00075/05	33
253/00515/751	37	Drain Valve Handle 209/00115/11	33
Door Handle 253/00515/28	37, 39	Drain Valve Harness 210/01575/18	29, 31
Door Handle Bushing 253/00158/181	37, 39	Drain Valve Motor 209/00051/11	31
Door Handle Hinge Weldment 253/00158/179	37, 39	209/00052/11	31
Door Handle Spring Bushing 253/00158/192	37, 39	209/00052/12	33
Door Handle Torsion Spring 253/00158/187	37, 39	209/00203/11	31
Door Hinge 253/00515/752	37, 39	209/00203/12	33
Door Hinge Block 253/00158/175	37, 39	Drain Valve Motor Assembly 209/00170/06	33
Door Latch 253/00158/1244	35	Drain Valve Motor Mounting Plate 209/00025/07	31
Door Latch Assembly 253/00159/1036	35	209/00115/04	33
Door Lock Assembly C001036	35	Drain Valve Overflow Plug 223/00086/00	29
Door Lock Catch 253/00158/185	35	Drain Valve Plate Assembly 114/00010/00	29
Door Lock Cover 253/00158/688	35	Drain Valve Shaft 209/00170/10	31, 33
Door Lock Harness C000867	35	Drain Valve Shaft Seal 209/00025/10	31, 33
Door Lock Kit C001036M	35	Drain Valve Spring 209/00025/13	31
Door Lock Microswitch 253/00158/278	35	209/00170/02	33
Door Lock PC-Board 209/02010/00	45, 47	Drain Valve to Drain Pipe Hose 223/00141/00	29, 69, 71
Door Lock Plate 253/00158/684	35	Drive F8421121	63
Door Lock Solenoid 209/00274/00	35	F8421122	63
Door Lock Solenoid Bracket 253/00158/686	35	F8421123	63
Door Lock Spring 253/00158/276	35	F8421124	63
Door Lock Spring Cover 253/00158/687	35	F8421125	63
Door Lock Switch Actuator 253/00158/271	35	F8421126	63
Door Magnet Mounting Bracket B12509001	39		
Door Release Decal 253/00158/694	35		
Door Seal 253/00162/02	37, 39		
Dosing Pump Hose 209/00555/98	77		
Dosing Pump Hose Connector 209/00555/99	77		
Drain Pipe 223/00106/00	29		
Drain Tub to Drain Valve Hose 223/00133/00	29		
Drain Valve 209/00075/00	29, 31		

E

Elbow 223/00302/00	69, 71
Electrical Components Plate 229/00262/20	49
Electrical Connection Cover 140/00010/01	55, 57
Electrical Connection Sticker 229/00068/02	55, 57
Emergency Switch Pushbutton 209/00099/20	45, 47

F

Fan Grill 209/00465/01	61
Feeding Liquid Soap Dosing Pump 209/00554/51	77
Flat Cable 210/00204/00	41
Frame 253/10501/00	11
290/10501/00	11

N/A items do not appear in index.

Front Cabinet Top	
173/00001/02	51
190/00001/02	51
Front Left Panel	
173/00003/20	51
Front Panel	
173/00025/00	15
173/00042/00	45, 47
Front Right Panel	
173/00003/10	51
Fuse	
209/00372/01	41, 43
209/00468/00	59
Fuse Holder	
209/00202/00	59

G

Gasket	
246/00149/00	51
Grommet	
223/00174/00	61
223/00198/00	59, 61
223/00213/00	61
Ground Terminal	
209/00006/01	59

H

Handle Grommet	
223/00008/01	43, 65
Heating Element	
209/00562/20	81
209/00581/10	81
Heating Element Plug	
209/00196/00	81
Hose Barb	
223/00016/00	49
Hose Clamp	
223/00010/00	55, 57, 65, 67
223/00012/00	29
223/00013/00	29
223/00014/00	55, 57
223/00071/00	29, 69, 71
223/00223/00	29, 49, 69, 71
Hose Vent	
223/00102/07	55, 57

I

Infrared Cable	
210/00902/00	43, 45, 47
Inlet Valve	
253/10521/00	55, 57
253/10526/00	55, 57
Inlet Valve, 3-Way	
209/00277/00	55, 57
Insulating Sticker	
229/00255/00	41, 43
229/00268/00	45, 47

Inverter	
227/00207/00	63
227/00208/00	63
227/00213/00	63
227/00219/00	63
Inverter Box	
173/00009/00	61
Inverter Box Top	
173/00009/04	61
Inverter Drive Filter	
227/00176/00	61
227/00182/00	61
Inverter Drive Kit	
F8421021	63
F8421022	63
F8421023	63
F8421024	63
Inverter to Motor Harness	
210/30570/20	61

K

Key	
253/00033/00	25
Keypad	
209/00552/01	43

L

Leveling Leg	
252/00006/00	15, 17
Liquid Soap Dosing Pump	
209/00555/50	77
Liquid Soap Dosing Pump Connection Piece	
209/00554/53	77
Liquid Soap Dosing Pump O-Ring	
209/00554/52	77
Liquid Soap Manifold	
173/00056/00	73
223/00249/00	59, 69, 71
Liquid Soap Spray Pump	
209/00369/00	79
Lock Spring Leaf	
211/00072/00	35
Logo Decal	
9001890	41
Lower Front Panel	
173/00004/00	51
Lower Rear Panel	
173/00007/01	53
173/00007/02	53
Lower Support	
253/10502/00	11
290/10502/00	11
Lubricator	
212/00022/00	19

M

Magnet	
F8390801	39

N/A items do not appear in index.

Main Board	
B12351701	43
Main Control	
9002100	41
Main Control Heat Harness	
210/01304/03	83, 85
Main Switch	
209/00526/00	55
209/00532/00	57
Main Switch Box	
173/00017/00	57
Manifold	
153/00116/00	69
173/00026/00	71
Memory Card PC-Board	
B12305201	45, 47
Micro to Connector Harness	
B12371101	61
210/01304/15	61
Motor	
227/00174/00	27
227/00223/00	27
227/00246/00	27
Motor Plate	
153/00025/00	27
Motor Pulley	
253/10519/00	27
Mounting Plate	
173/00012/00	43
223/00374/00	45, 47
Mushroom Pushbutton	
209/00248/20	43, 45, 47

N

Nipple	
223/00254/00	55, 57
Noise Suppressor	
209/00356/00	49
Nut	
204/00004/00	29
204/00007/00	27, 49, 55, 57, 59, 75
204/00008/00	41, 43
204/00009/00	53, 65, 67, 75, 79
204/00012/00	13, 27
204/00016/00	13
204/00105/00	55, 57
204/00106/00	51, 53, 69, 79
204/00107/00	61
204/00109/00	51
204/00111/00	27
204/00113/00	13, 15, 17, 27
204/00114/00	27, 61
204/00116/00	41, 43, 45, 47
204/00118/00	83, 85
204/00201/00	65, 67
206/00101/00	65, 67, 75, 83, 85
211/00170/00	59
211/00172/00	57, 59
211/10106/00	79
253/00158/558	37, 39
253/00158/560	37, 39
253/00158/562	37, 39
253/00158/578	35

O

Operating Sticker	
225/10313/00	45
225/10427/00	47
O-Ring	
223/00176/00	79
223/00177/00	79
223/00244/00	37, 39
223/00350/00	83, 85
Out-of-Balance Detector Plate	
153/00046/00	75
Out-of-Balance Switch	
209/00255/00	75
Out-of-Balance Switch Boot	
223/00246/00	75
Out-of-Balance Switch Plate	
153/00045/00	75
Overflow Hose	
223/00184/00	29
Overlay	
F9001561	41
225/00365/00	43
225/00391/00	41
225/00392/00	41

P

Parameter Unit Assembly	
227/00171/00	61
Parameter Unit Program Cable	
9001895	61
Plexi Frame	
225/00321/00	45
225/00323/00	47
Plug	
211/00087/00	59
211/00091/00	59
Plumbing Assembly	
B12374201	73
B12374301	73
Pop Rivet	
F431223	39
Pressure Hose	
223/00179/10	59, 79
223/00333/00	49
Pressure Switch	
209/00007/50	49
Pressure Switch Elbow	
223/00210/00	49
Pressure Switch Hose Tee	
223/00173/10	49
Prewash and Mainwash Nozzle	
223/00001/04	65, 67
Printboard	
209/02015/02	47
Printboard Display Plate Assembly	
173/00013/20	45
173/00013/30	47
Printboard Separator	
211/00128/00	45, 47

N/A items do not appear in index.

Printboard Support Card	
111/01893/00	45, 47
Programming Cable	
210/00205/00	41
Programming Key	
209/00326/21	41
Programming Key Contact Switch	
209/00326/20	41, 43
Pulley and Hub Assembly	
253/10517/00	23, 25
Pushbutton	
44018801	41

R

Rear Cabinet Top	
173/00001/01	51
190/00001/01	51
Reducing Tee	
253/00021/00	69
Reed Switch Assembly	
C003000	35
Retaining Ring	
212/00043/00	19, 21
253/00157/00	19, 21
Rivet	
B12336401	35

S

Screw	
B12322501	35
B12347501	59
206/00031/00	27
206/00053/00	25
206/00091/00	83, 85
206/00125/00	27
207/00003/00	27
207/00008/00	49
207/00018/00	75
207/00025/00	43
207/00031/00	61
207/00110/00	55, 57, 65
207/00113/00	43, 45, 47
207/00123/00	51
207/00126/00	65
208/00121/00	51
208/00124/00	51
208/00125/00	51
209/00025/08	31, 33
209/00170/05	31, 33
209/00170/07	31, 33
253/00158/1047	35
253/00158/567	35
253/00158/612	35
253/00158/614	35
Shipping Bracket	
173/00015/00	11
173/00054/00	11
Shock Absorber	
247/00008/00	13
Shock Absorber Bushing	
211/00137/10	13

Side Panel	
173/00005/00	51, 53
173/00006/00	51, 53
190/00005/00	51, 53
190/00006/00	51, 53
Side Panel Gasket	
246/00079/00	53
Side Panel Support Assembly	
153/00103/01	53
Soap Dispenser	
153/00072/00	65
Soap Dispenser Cover	
153/00070/00	65
Soap Dispenser Cover Handle	
223/00008/05	65
Soap Dispenser Cover Plate	
153/00071/00	65
Soap Dispenser Cup	
253/00012/02	65
Soap Dispenser to Tub Hose	
223/00187/00	69, 71, 73
Soap Injection PCB with Fuse	
209/00218/13	59
Soap Injector Connector	
211/00127/00	79
Soap Injector Coupling	
223/00182/00	79
Soap Injector Elbow Coupling	
223/00181/00	79
Soap Injector Hose	
223/00180/00	79
Soap Injector Orifice	
223/00178/00	79
Soap Injector Orifice Nipple	
211/00126/00	79
Soap Pump Assembly	
209/00555/01	77
209/00555/02	77
209/00555/03	77
209/00555/04	77
209/00555/05	77
209/00555/06	77
Spacer	
211/00107/00	41
211/00140/00	41
Speed Detector	
209/00400/00	19
Speed Sensor Bracket	
153/00041/02	19
153/00041/11	19
153/10028/00	19
Spray Pump Mounting Plate	
111/10179/00	79
Spring	
253/00158/431	35
Standoff	
211/00120/00	59
211/00122/00	43, 45, 47
211/00145/00	45, 47
Steam Heat Kit	
861P3	83, 85
Steam Hose	
217/00033/00	83, 85

N/A items do not appear in index.

Steam Injector	
119/00086/00	83, 85
Steam Injector Bracket	
173/00032/00	83
190/00032/00	85
Steam Injector Pipe Clamp	
173/00018/00	83, 85
Steam Injector Pipe Clamp Plate	
173/00018/10	83, 85
Steam Valve	
253/10520/00	83, 85
Steam Valve Harness	
F605220	83, 85
Strain Relief	
211/00169/00	57, 59
Supply Dispenser Box	
223/00345/01	67
Supply Dispenser Cover	
153/00089/00	67
Supply Dispenser Handle	
223/00392/00	67
Suspension Spring	
B12440101	13
Switch Base	
209/00099/25	41, 43
Switch Bracket	
153/00027/22	55
Switch Knob	
209/00099/29	41, 43

T

Telem Sticker	
209/00520/00	43, 45, 47
Terminal Block	
209/00005/00	49
209/00527/00	55
209/00528/00	55
209/00533/00	57
Thermostat	
210/01064/16	49
210/01304/16	49
Thermostat Seal	
225/10004/00	49
Tilt Switch Bracket	
111/00107/00	75
Transformer	
209/00311/00	61
209/00406/00	61
Tub	
173/00019/00	15, 17
173/00020/00	15, 17
190/00019/00	17
190/00020/00	17
Tub Back Plate	
173/00019/10	15, 17
173/00020/10	15, 17
Tub Front	
173/00010/00	17
173/00022/00	17
Tub Gasket	
255/00001/00	15, 17

U

Upper Front Panel	
173/00002/00	43
173/00027/10	41
Upper Rear Panel	
173/00008/00	53, 55, 57, 59, 61
Upper Support	
253/10503/00	11
290/10503/00	11

V

Vent Hose	
223/00107/02	69
223/00211/00	55, 57
Voltage Discharge Decal	
B12355001	61
V-Ring Seal	
253/00151/00	23, 25
253/00153/00	23, 25
253/10515/00	23, 25
253/10516/00	23, 25
V-Ring Seal Ring	
253/10518/00	23, 25

W

Washer	
B12300601	15, 17
B12300701	15, 17
201/00001/00	13, 15, 17, 27
201/00002/00	65, 67
201/00004/00	27
201/00007/00	35, 79
201/00008/00	27
201/00011/00	27
201/00025/00	25
201/00027/00	83, 85
201/00202/00	21
201/00204/00	19
20290	55
202/00002/00	29
202/00004/00	43, 45, 47, 55, 57, 61
202/00101/00	55, 65, 67, 75, 79
202/00102/00	55, 65
202/00105/00	15, 17
202/00106/00	51
202/00110/00	51, 53, 69
202/00121/00	55, 57
202/00139/00	57
203/00001/00	27
203/00002/00	19
203/00003/00	29
203/00004/00	53, 55, 69, 79
203/00005/00	61
203/00006/00	27, 49, 55, 57, 59, 75
203/00007/00	41, 43
208/00009/00	51
209/00025/12	31, 33
223/00001/07	65, 67
223/00123/00	41, 43, 45, 47
223/00272/00	55, 57
253/00158/177	37, 39

N/A items do not appear in index.

253/00158/571	35
803615	55
Water Hose	
F200185	55
223/00044/00	55, 57, 65, 67
223/00269/00	69, 71
Water Level Switch	
209/00029/00	49
Water Valve Adapter	
223/00050/01	55, 57
Wire Harness	
210/01575/17	29, 31

Y

Y Pipe	
253/00017/00	71
253/00030/00	69
253/00035/00	69, 71
