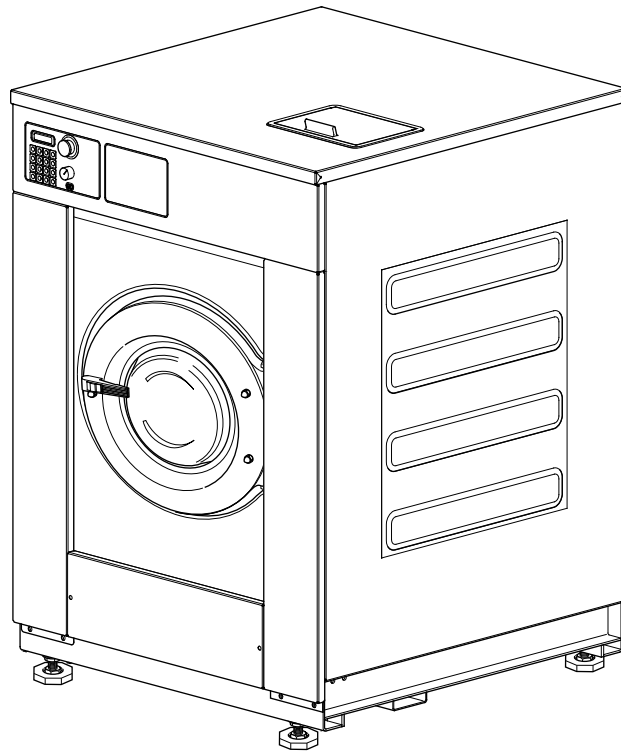


# Washer-Extractor

Cabinet Freestanding  
Refer to Page 5 for Model Numbers



CFD7C\_9001004



# Table of Contents

Title	Page
Parts Ordering Information.....	3
Model Identification .....	5
Cabinet Freestanding Washer-Extractor Product Overview .....	6
Frame (Drawing 1 of 2) .....	8
Frame (Drawing 2 of 2) .....	10
Shock and Spring Assembly (Drawing 1 of 2) .....	12
Shock and Spring Assembly (Drawing 2 of 2) .....	14
Shell and Basket (Drawing 1 of 3) .....	16
Shell and Basket (Drawing 2 of 3) .....	18
Shell and Basket (Drawing 3 of 3) .....	20
Bearing Assembly (Drawing 1 of 2) .....	22
Bearing Assembly (Drawing 2 of 2) .....	24
Basket, Pulley and Belt (Drawing 1 of 2) .....	26
Basket, Pulley and Belt (Drawing 2 of 2) .....	28
Motor (Drawing 1 of 3) .....	30
Motor (Drawing 2 of 3) .....	32
Motor (Drawing 3 of 3) .....	34
Single Drain Assembly (Drawing 1 of 4) .....	36
Single Drain Assembly (Drawing 2 of 4) .....	38
Single Drain Assembly (Drawing 3 of 4) .....	40
Single Drain Assembly (Drawing 4 of 4) .....	42
Dual Drain Assembly .....	44
Door Lock.....	46
Door (Drawing 1 of 3).....	48
Door (Drawing 2 of 3).....	50
Door (Drawing 3 of 3).....	52
Door Handle .....	54
Control Panel .....	56
Control Module (Drawing 1 of 2) .....	58
Control Module (Drawing 2 of 2) .....	60
Front, Left Side and Upper Back Panels (Drawing 1 of 2) .....	62
Front, Left Side and Upper Back Panels (Drawing 2 of 2) .....	64
Top, Right Side and Lower Back Panels (Drawing 1 of 2).....	66
Top, Right Side and Lower Back Panels (Drawing 2 of 2).....	68
Upper Back Panel (Drawing 1 of 4) .....	70
Upper Back Panel (Drawing 2 of 4) .....	72
Upper Back Panel (Drawing 3 of 4) .....	74
Upper Back Panel (Drawing 4 of 4) .....	76
AC Drive Panel (Drawing 1 of 3).....	78
AC Drive Panel (Drawing 2 of 3).....	80
AC Drive Panel (Drawing 3 of 3).....	82

© Copyright 2012, Alliance Laundry Systems LLC

All rights reserved. No part of the contents of this book may be reproduced or transmitted in any form or by any means without the expressed written consent of the publisher.

Balance Switch (Drawing 1 of 3) .....	84
Balance Switch (Drawing 2 of 3) .....	86
Balance Switch (Drawing 3 of 3) .....	88
Supply Dispenser .....	90
Electric Heating Option .....	92
Steam Heating Option - *X35 Models .....	94
Parts Index .....	97

## Parts Ordering Information

If literature or replacement parts are required, contact the source from whom the machine was purchased or contact Alliance Laundry Systems at (920) 748-3950 for the name and address of the nearest authorized parts distributor.

For technical assistance, call either of the numbers listed below:

(920) 748-3121 Ripon, Wisconsin

+32 56 41 20 54 Wevelgem, Belgium

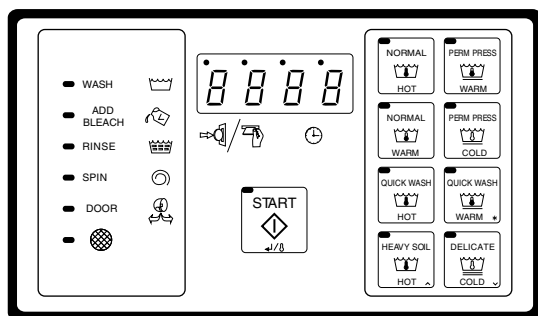
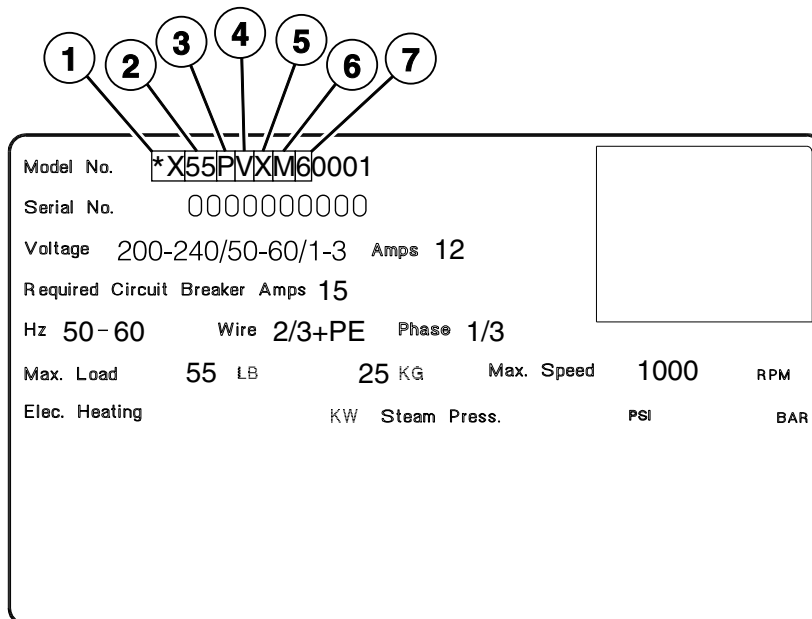


## Model Identification

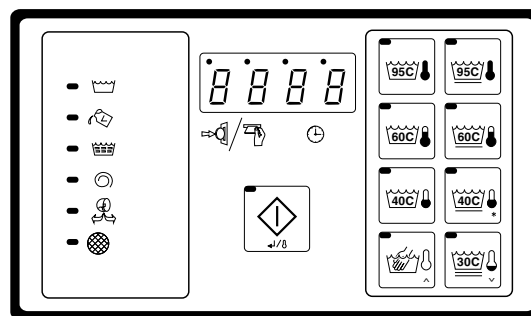
Information in this manual is applicable to these washer-extractor models:

HX018PVQM7	SX018PVPA7	UX018PVNA7	UX25PVNA6
HX018PVXM7	SX018PVQM7	UX018PVPA7	UX25PVNA7
HX025PVQM7	SX018PVXM7	UX018PVQA7	UX25PVNU6
HX025PVXM7	SX025PVQM7	UX018PVQM7	UX25PVPA6
HX035PVQM7	SX025PVXM7	UX018PVXA7	UX25PVPA7
HX035PVXM7	SX035PVNM7	UX018PVXM7	UX25PVPU6
HX18PVQM6	SX035PVQM7	UX025PVNA7	UX25PVQA6
HX18PVQM7	SX035PVXM7	UX025PVPA7	UX25PVQA7
HX18PVQU6	SX18PVPA7	UX025PVQA7	UX25PVQM6
HX18PVXM6	SX18PVQM6	UX025PVQM7	UX25PVQM7
HX18PVXM7	SX18PVQM7	UX025PVXA7	UX25PVQU6
HX18PVXU6	SX18PVQU6	UX025PVXM7	UX25PVXA6
HX25PVQM6	SX18PVXM6	UX035PVNA7	UX25PVXA7
HX25PVQM7	SX18PVXM7	UX035PVPA7	UX25PVXM6
HX25PVQU6	SX18PVXU6	UX035PVQA7	UX25PVXM7
HX25PVXM6	SX25PVQM6	UX035PVQM7	UX25PVXU6
HX25PVXM7	SX25PVQM7	UX035PVXA7	UX35PVNA6
HX25PVXU6	SX25PVQU6	UX035PVXM7	UX35PVNA7
HX35PVQM6	SX25PVXM6	UX18PVNA6	UX35PVNU6
HX35PVQM7	SX25PVXM7	UX18PVNA7	UX35PVPA6
HX35PVQU6	SX25PVXU6	UX18PVNU6	UX35PVPA7
HX35PVXM6	SX35PVNM7	UX18PVPA6	UX35PVPU6
HX35PVXM7	SX35PVQM6	UX18PVPA7	UX35PVQA6
HX35PVXU6	SX35PVQM7	UX18PVPU6	UX35PVQA7
	SX35PVQU6	UX18PVQA6	UX35PVQM6
	SX35PVXM6	UX18PVQA7	UX35PVQM7
	SX35PVXM7	UX18PVQM6	UX35PVQU6
	SX35PVXU6	UX18PVQM7	UX35PVXA6
		UX18PVQU6	UX35PVXA7
		UX18PVXA6	UX35PVXM6
		UX18PVXA7	UX35PVXM7
		UX18PVXM6	UX35PVXU6
		UX18PVXM7	
		UX18PVXU6	

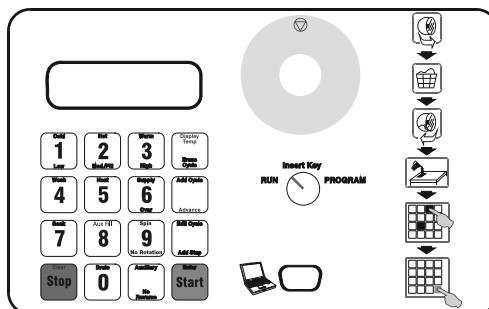
# Cabinet Freestanding Washer-Extractor Product Overview



**B Computer (Domestic)**



**B Computer (International)**



**WE-8 Micro**

CFD266P\_9001004

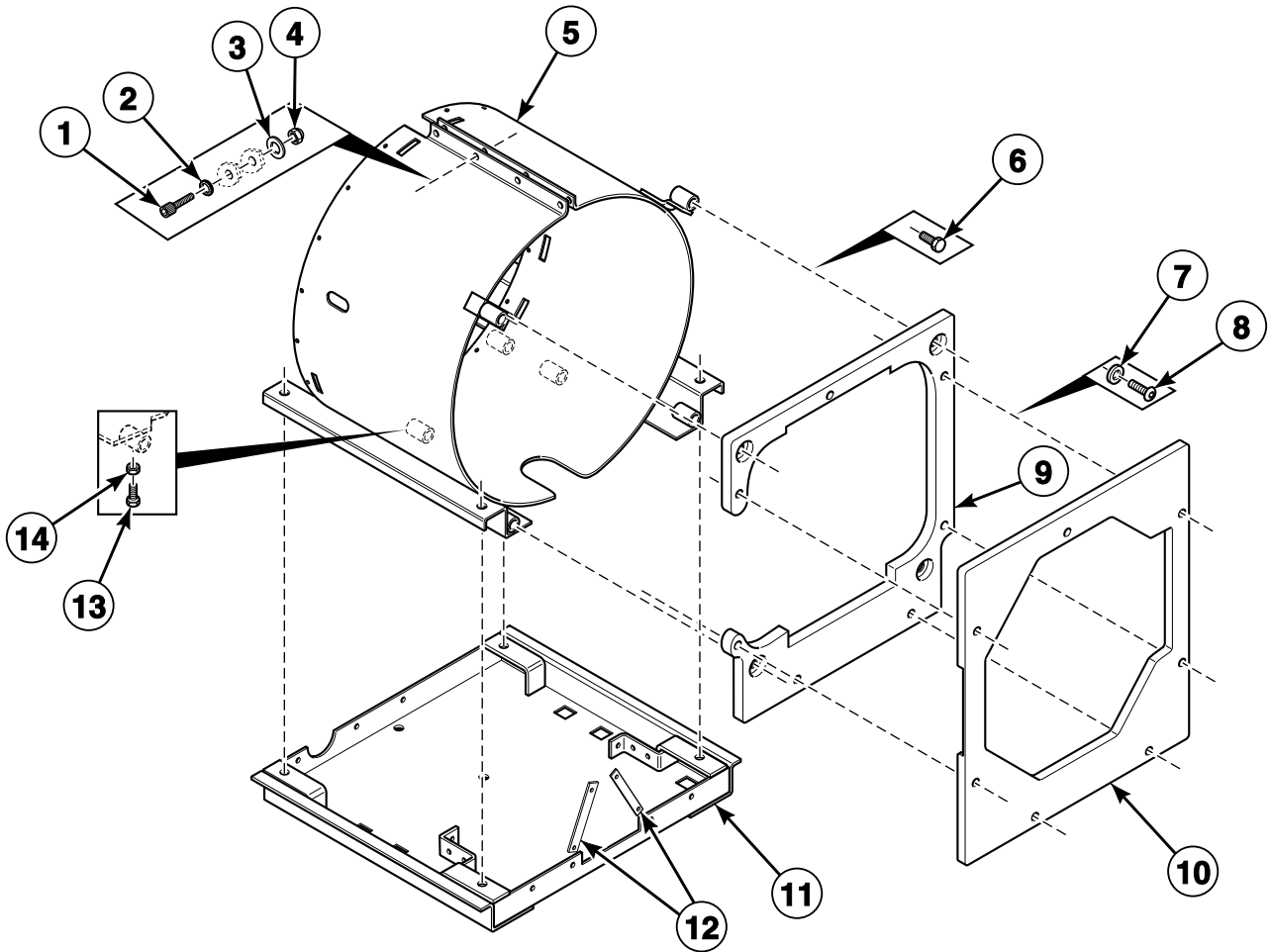


# Cabinet Freestanding Washer-Extractor Product Overview

REF	PART NO.	DESCRIPTION	COMMENTS
1	-	Product Family	HX NX SX UX
2	-	Capacity (Pounds)	18 or 018 25 or 025 30 or 030 35 or 035 55 or 055 75 or 075 100 135 165
3	-	Control	B (B Computer) P (WE-8 Micro)
4	-	Speed	V (Variable)
5	-	Voltage	N (440-480/50-60/3/3) P (380-415/50-60/3/3) Q (200-240/50-60/3/3) X (200-240/50-60/1/3)
6	-	OEM	A F M U
7	-	Design	6 and 7

# Frame (Drawing 1 of 2)

Models HX18PVQU6, HX18PVXU6, HX25PVQU6, HX25PVXU6, HX35PVQU6, HX35PVXU6, SX18PVQU6, SX18PVXU6, SX25PVQU6, SX25PVXU6, SX35PVQU6, SX35PVXU6, UX18PVNU6, UX18PVPU6, UX18PVQU6, UX18PVXU6, UX25PVNU6, UX25PVPU6, UX25PVQU6, UX25PVXU6, UX35PVNU6, UX35PVPU6, UX35PVQU6 and UX35PVXU6



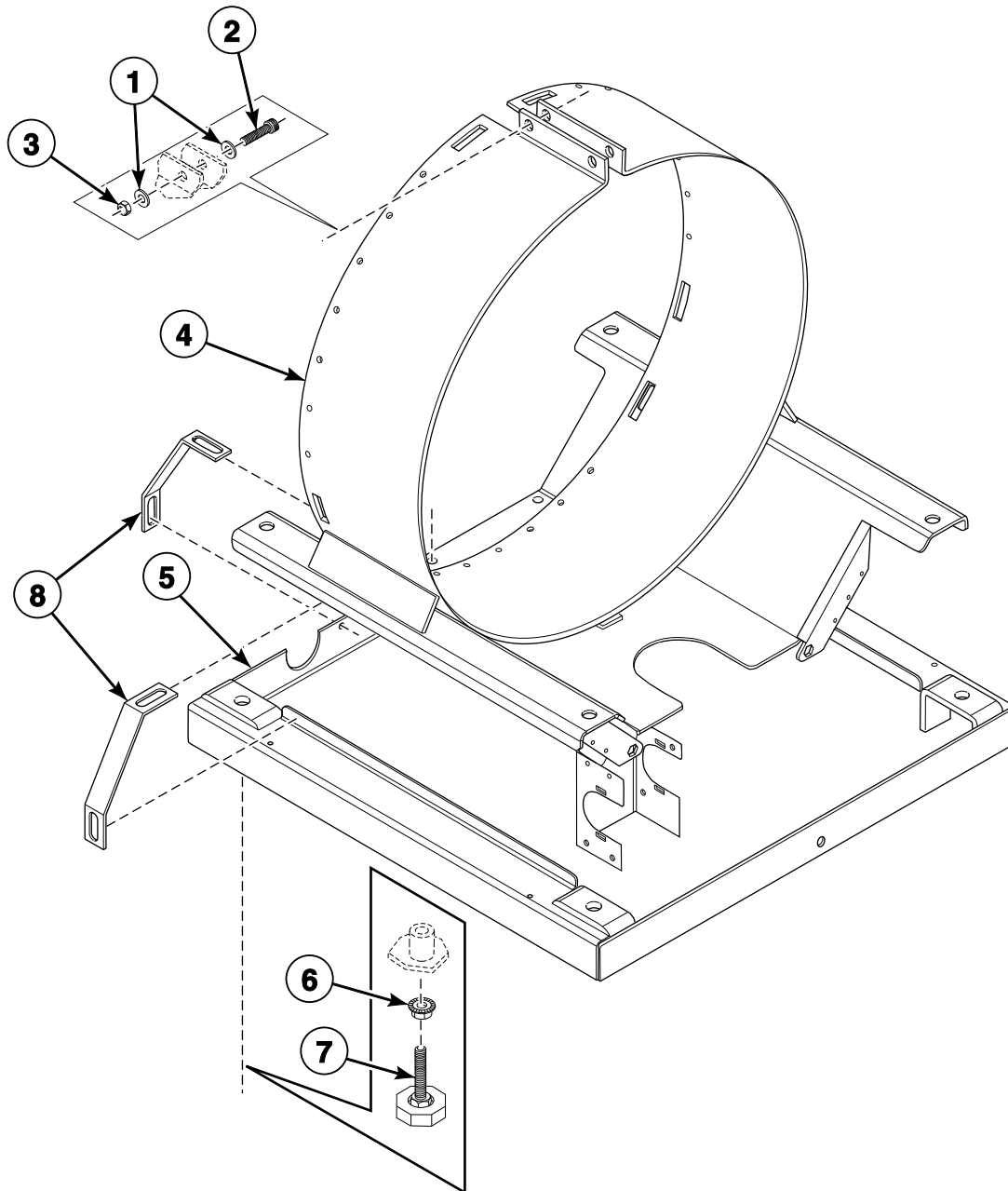
CFD109P\_9001004

## Frame (Drawing 1 of 2)

REF	PART NO.	DESCRIPTION	COMMENTS
1	9001300	Screw	
2	9001238	Washer	
3	9001212	Washer	
4	9001264	Nut	
5	9001156	Tub Support	Models HX18PVQU6, HX18PVXU6, SX18PVQU6, SX18PVXU6, UX18PVNU6, UX18PVPU6, UX18PVQU6 and UX18PVXU6
	9001157	Tub Support	Models HX25PVQU6, HX25PVXU6, SX25PVQU6, SX25PVXU6, UX25PVNU6, UX25PVPU6, UX25PVQU6 and UX25PVXU6
	9001158	Tub Support	Models HX35PVQU6, HX35PVXU6, SX35PVQU6, SX35PVXU6, UX35PVNU6, UX35PVPU6, UX35PVQU6 and UX35PVXU6
6	9001304	Bolt	
7	9001214	Washer	
8	9001657	Screw	
9	9001160	Counterweight	Models HX18PVQU6, HX18PVXU6, HX25PVQU6, HX25PVXU6, SX18PVQU6, SX18PVXU6, SX25PVQU6, SX25PVXU6, UX18PVNU6, UX18PVPU6, UX18PVQU6, UX18PVXU6, UX25PVNU6, UX25PVPU6, UX25PVQU6 and UX25PVXU6
	9001159	Counterweight	Models HX35PVQU6, HX35PVXU6, SX35PVQU6, SX35PVXU6, UX35PVNU6, UX35PVPU6, UX35PVQU6 and UX35PVXU6
10	9001066	Front Panel	Models HX18PVQU6, HX18PVXU6, HX25PVQU6, HX25PVXU6, SX18PVQU6, SX18PVXU6, SX25PVQU6, SX25PVXU6, UX18PVNU6, UX18PVPU6, UX18PVQU6, UX18PVXU6, UX25PVNU6, UX25PVPU6, UX25PVQU6 and UX25PVXU6
	9001688	Front Panel	Models HX35PVQU6, HX35PVXU6, SX35PVQU6, SX35PVXU6, UX35PVNU6, UX35PVPU6, UX35PVQU6 and UX35PVXU6
11	9001149	Frame	Models HX18PVQU6, HX18PVXU6, SX18PVQU6, SX18PVXU6, UX18PVNU6, UX18PVPU6, UX18PVQU6 and UX18PVXU6
	9001151	Frame	Models HX25PVQU6, HX25PVXU6, SX25PVQU6, SX25PVXU6, UX25PVNU6, UX25PVPU6, UX25PVQU6 and UX25PVXU6
	9001689	Frame	Models HX35PVQU6, HX35PVXU6, SX35PVQU6, SX35PVXU6, UX35PVNU6, UX35PVPU6, UX35PVQU6 and UX35PVXU6
12	9001760	Shipping Bracket	
13	9001291	Bolt	
14	9001250	Nut	

## Frame (Drawing 2 of 2)

All Models Except HX18PVQU6, HX18PVXU6, HX25PVQU6, HX25PVXU6, HX35PVQU6, HX35PVXU6, SX18PVQU6, SX18PVXU6, SX25PVQU6, SX25PVXU6, SX35PVQU6, SX35PVXU6, UX18PVNU6, UX18PVPU6, UX18PVQU6, UX18PVXU6, UX25PVNU6, UX25PVPU6, UX25PVQU6, UX25PVXU6, UX35PVNU6, UX35PVPU6, UX35PVQU6 and UX35PVXU6



CFD261P\_9001004

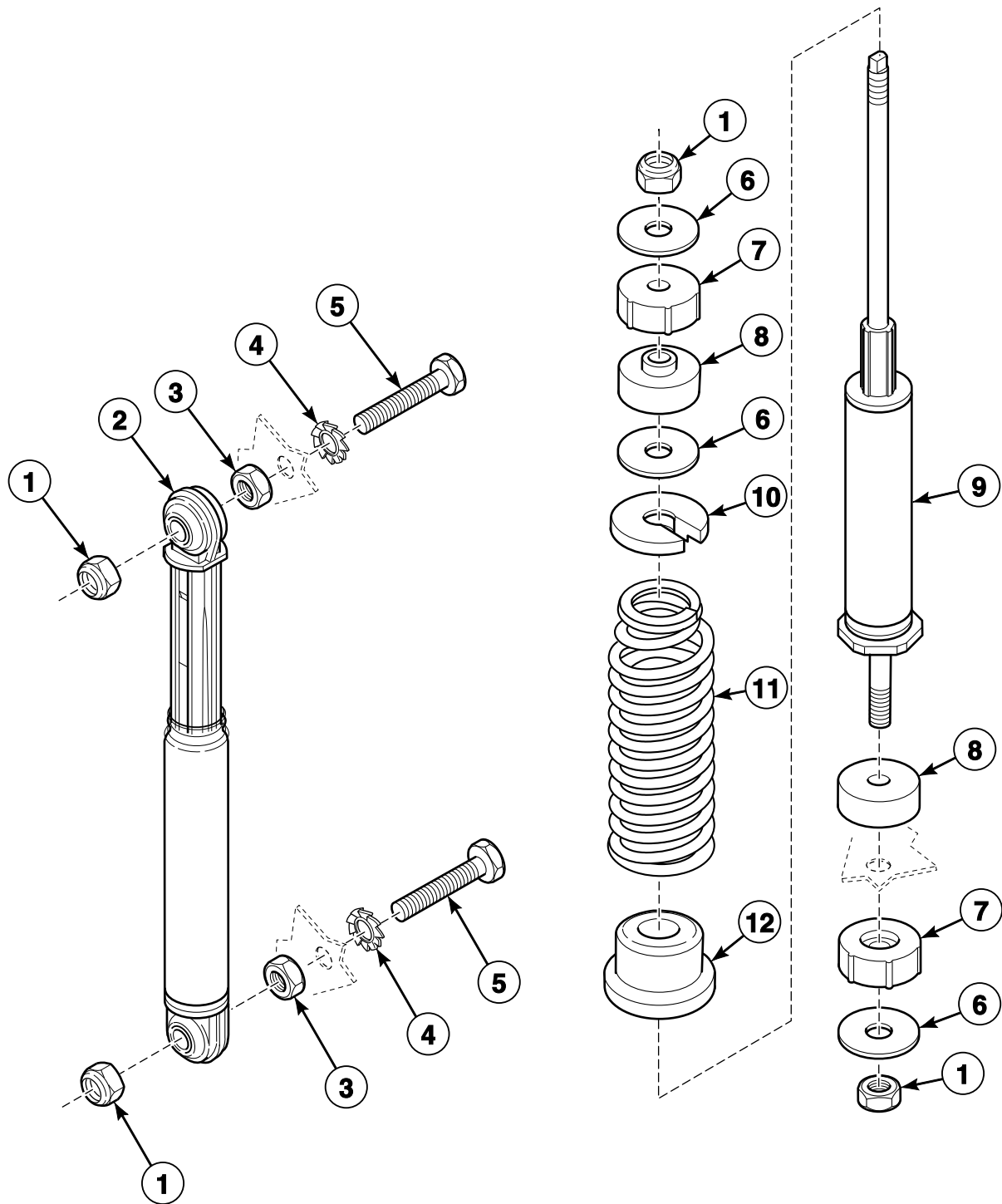
## Frame (Drawing 2 of 2)

REF	PART NO.	DESCRIPTION	COMMENTS
1	9001212	Washer	
2	9001300	Screw	
3	9001264	Nut	
4	9001914	Tub Support	Models HX018PVQM7, HX018PVXM7, HX18PVQM6, HX18PVQM7, HX18PVXM6, HX18PVXM7, SX018PVPA7, SX018PVQM7, SX018PVXM7, SX18PVPA7, SX18PVQM6, SX18PVQM7, SX18PVXM6, SX18PVXM7, UX018PVNA7, UX018PVPA7, UX018PVQA7, UX018PVQM7, UX018PVXA7, UX018PVXM7, UX18PVNA6, UX18PVNA7, UX18PVPA6, UX18PVPA7, UX18PVQA6, UX18PVQA7, UX18PVQM6, UX18PVQM7, UX18PVXA6, UX18PVXA7, UX18PVXM6 and UX18PVXM7
N/A		Tub Support	Models HX025PVQM7, HX025PVXM7, HX25PVQM6, HX25PVQM7, HX25PVXM6, HX25PVXM7, SX025PVQM7, SX025PVXM7, SX25PVQM6, SX25PVQM7, SX25PVXM6, SX25PVXM7, UX025PVNA7, UX025PVPA7, UX025PVQA7, UX025PVQM7, UX025PVXA7, UX025PVXM7, UX25PVNA6, UX25PVNA7, UX25PVPA6, UX25PVPA7, UX25PVQA6, UX25PVQA7, UX25PVQM6, UX25PVQM7, UX25PVXA6, UX25PVXA7, UX25PVXM6 and UX25PVXM7
9002052		Tub Support	Models HX035PVQM7, HX035PVXM7, HX35PVQM6, HX35PVQM7, HX35PVXM6, HX35PVXM7, SX035PVNM7, SX035PVQM7, SX035PVXM7, SX35PVNM7, SX35PVQM6, SX35PVQM7, SX35PVXM6, SX35PVXM7, UX035PVNA7, UX035PVPA7, UX035PVQA7, UX035PVQM7, UX035PVXA7, UX035PVXM7, UX35PVNA6, UX35PVNA7, UX35PVPA6, UX35PVPA7, UX35PVQA6, UX35PVQA7, UX35PVQM6, UX35PVQM7, UX35PVXA6, UX35PVXA7, UX35PVXM6 and UX35PVXM7
5	9001915	Frame	Models HX018PVQM7, HX018PVXM7, HX18PVQM6, HX18PVQM7, HX18PVXM6, HX18PVXM7, SX018PVPA7, SX018PVQM7, SX018PVXM7, SX18PVPA7, SX18PVQM6, SX18PVQM7, SX18PVXM6, SX18PVXM7, UX018PVNA7, UX018PVPA7, UX018PVQA7, UX018PVQM7, UX018PVXA7, UX018PVXM7, UX18PVNA6, UX18PVNA7, UX18PVPA6, UX18PVPA7, UX18PVQA6, UX18PVQA7, UX18PVQM6, UX18PVQM7, UX18PVXA6, UX18PVXA7, UX18PVXM6 and UX18PVXM7
9002070		Frame	Models HX025PVQM7, HX025PVXM7, HX25PVQM6, HX25PVQM7, HX25PVXM6, HX25PVXM7, SX025PVQM7, SX025PVXM7, SX25PVQM6, SX25PVQM7, SX25PVXM6, SX25PVXM7, UX025PVNA7, UX025PVPA7, UX025PVQA7, UX025PVQM7, UX025PVXA7, UX025PVXM7, UX25PVNA6, UX25PVNA7, UX25PVPA6, UX25PVPA7, UX25PVQA6, UX25PVQA7, UX25PVQM6, UX25PVQM7, UX25PVXA6, UX25PVXA7, UX25PVXM6 and UX25PVXM7
9002053		Frame	Models HX035PVQM7, HX035PVXM7, HX35PVQM6, HX35PVQM7, HX35PVXM6, HX35PVXM7, SX035PVNM7, SX035PVQM7, SX035PVXM7, SX35PVNM7, SX35PVQM6, SX35PVQM7, SX35PVXM6, SX35PVXM7, UX035PVNA7, UX035PVPA7, UX035PVQA7, UX035PVQM7, UX035PVXA7, UX035PVXM7, UX35PVNA6, UX35PVNA7, UX35PVPA6, UX35PVPA7, UX35PVQA6, UX35PVQA7, UX35PVQM6, UX35PVQM7, UX35PVXA6, UX35PVXA7, UX35PVXM6 and UX35PVXM7
6	9001916	Nut	
7	9001621	Leveling Leg	
8	185/00009/12	Shipping Brace	

N/A = Part no longer available

# Shock and Spring Assembly (Drawing 1 of 2)

Models HX18PVQU6, HX18PVXU6, HX25PVQU6, HX25PVXU6, HX35PVQU6, HX35PVXU6, SX18PVQU6, SX18PVXU6, SX25PVQU6, SX25PVXU6, SX35PVQU6, SX35PVXU6, UX18PVNU6, UX18PVPU6, UX18PVQU6, UX18PVXU6, UX25PVNU6, UX25PVPU6, UX25PVQU6, UX25PVXU6, UX35PVNU6, UX35PVPU6, UX35PVQU6 and UX35PVXU6



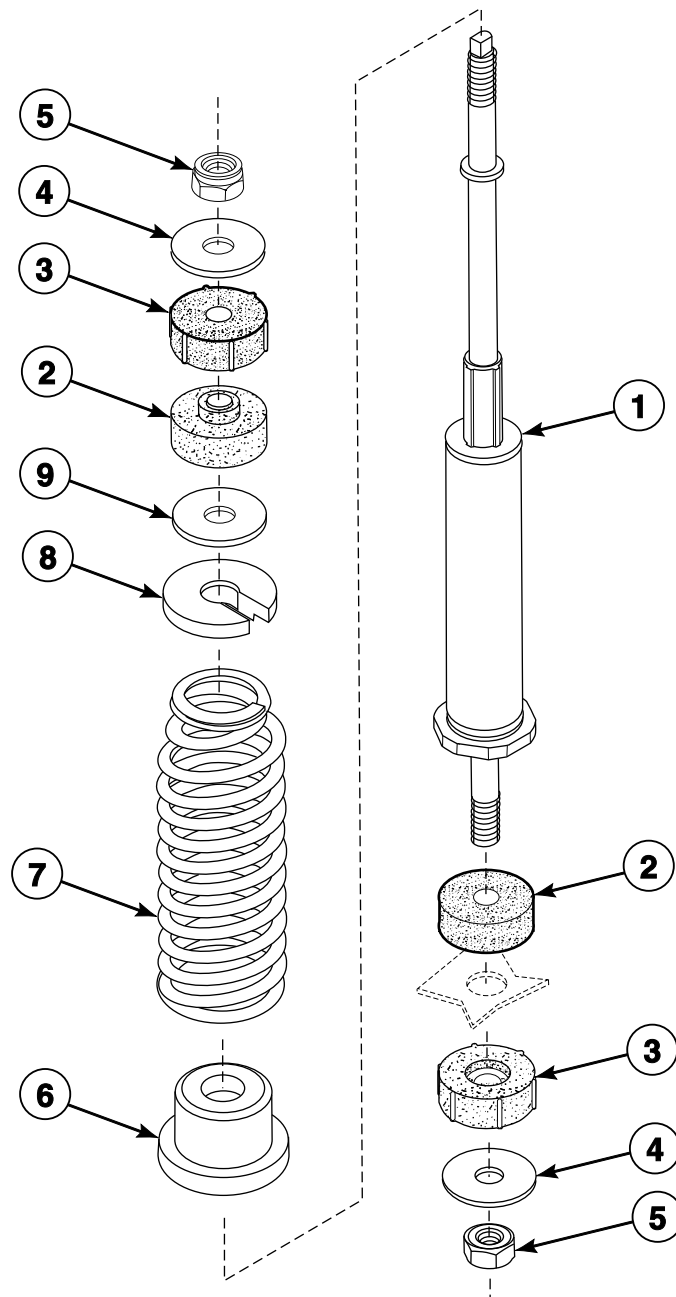
CFD21P\_9001004

## Shock and Spring Assembly (Drawing 1 of 2)

REF	PART NO.	DESCRIPTION	COMMENTS
1	9001263	Nut	
2	9001614	Shock Absorber	
3	9001248	Nut	
4	9001239	Washer	
5	9001293	Bolt	
6	9001220	Washer	
7	9001616	Fastening Rubber	
8	9001615	Fastening Rubber	
9	9001613	Shock Absorber	
	247/00003/00	Shock Absorber	Includes items 6, 8, 10, 12 and 9001612 Suspension Spring
10	9001611	Spring Holder Top	
11	9001609	Suspension Spring	Models HX35PVQU6, HX35PVXU6, SX35PVQU6, SX35PVXU6, UX35PVNU6, UX35PVPU6, UX35PVQU6 and UX35PVXU6 4 used; Black
	9001612	Suspension Spring	Models HX18PVQU6, HX18PVXU6, SX18PVQU6, SX18PVXU6, UX18PVNU6, UX18PVPU6, UX18PVQU6 and UX18PVXU6 1 used; Models HX25PVQU6, HX25PVXU6, SX25PVQU6, SX25PVXU6, UX25PVNU6, UX25PVPU6, UX25PVQU6 and UX25PVXU6 3 used; Models HX35PVQU6, HX35PVXU6, SX35PVQU6, SX35PVXU6, UX35PVNU6, UX35PVPU6, UX35PVQU6 and UX35PVXU6 4 used; Blue
	9001618	Suspension Spring	Models HX18PVQU6, HX18PVXU6, SX18PVQU6, SX18PVXU6, UX18PVNU6, UX18PVPU6, UX18PVQU6 and UX18PVXU6 3 used; Models HX25PVQU6, HX25PVXU6, SX25PVQU6, SX25PVXU6, UX25PVNU6, UX25PVPU6, UX25PVQU6 and UX25PVXU6 1 used; Red
	247/00002/03	Shock Absorber	Includes items 6, 8 and 9001618 Suspension Spring
12	9001610	Spring Seat Bottom	

## Shock and Spring Assembly (Drawing 2 of 2)

All Models Except HX18PVQU6, HX18PVXU6, HX25PVQU6, HX25PVXU6, HX35PVQU6, HX35PVXU6, SX18PVQU6, SX18PVXU6, SX25PVQU6, SX25PVXU6, SX35PVQU6, SX35PVXU6, UX18PVNU6, UX18PVPU6, UX18PVQU6, UX18PVXU6, UX25PVNU6, UX25PVPU6, UX25PVQU6, UX25PVXU6, UX35PVNU6, UX35PVPU6, UX35PVQU6 and UX35PVXU6



CFD140P\_9001004

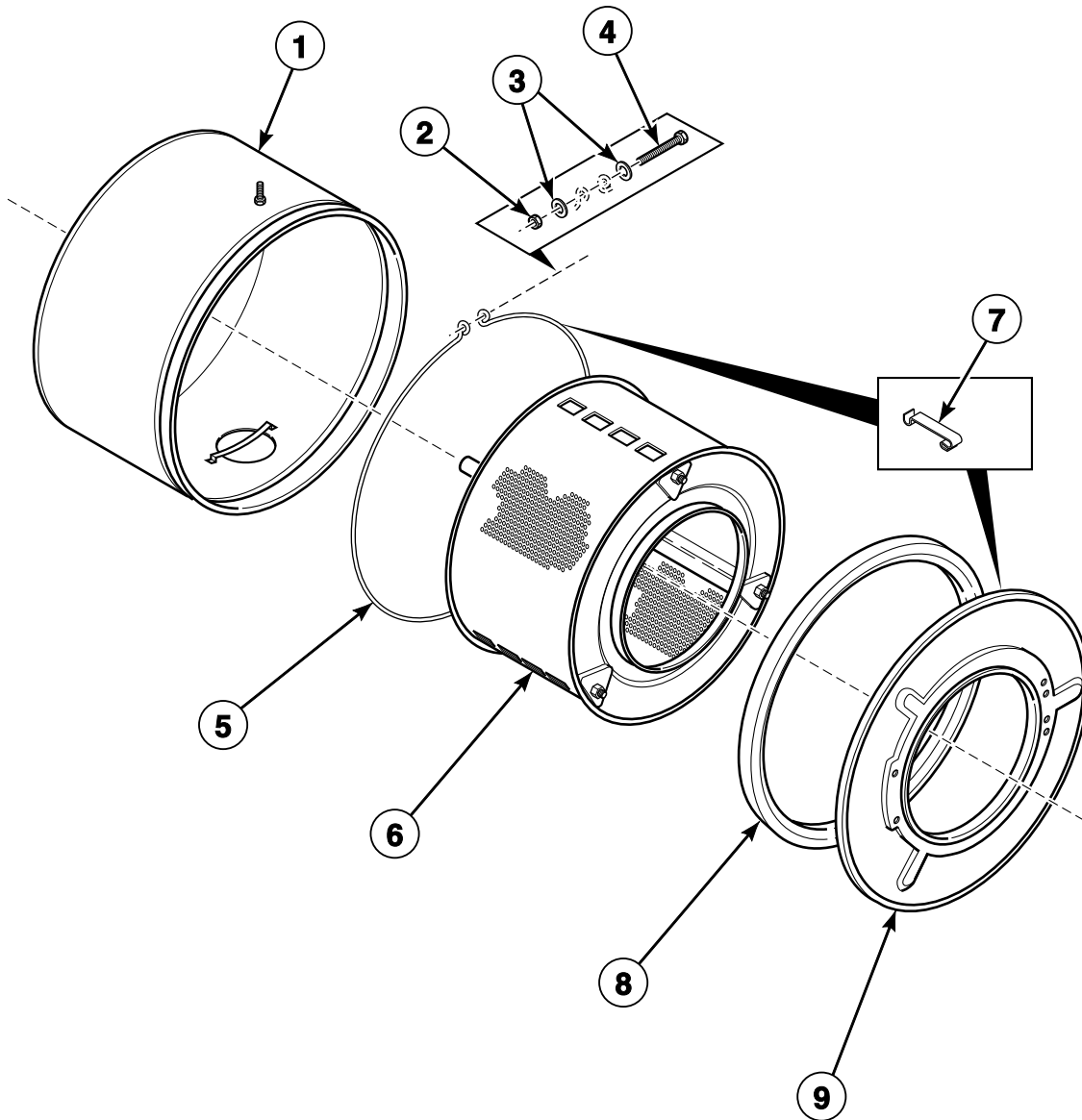


## Shock and Spring Assembly (Drawing 2 of 2)

REF	PART NO.	DESCRIPTION	COMMENTS
1	9001613	Shock Absorber	
2	9001615	Fastening Rubber	
3	9001616	Fastening Rubber	
4	9001220	Washer	
5	9001263	Nut	
6	9001610	Spring Seat Bottom	
7	9001609	Suspension Spring	Models HX035PVQM7, HX035PVXM7, HX35PVQM6, HX35PVQM7, HX35PVXM6, HX35PVXM7, SX035PVNM7, SX035PVQM7, SX035PVXM7, SX35PVNM7, SX35PVQM6, SX35PVQM7, SX35PVXM6, SX35PVXM7, UX035PVNA7, UX035PVPA7, UX035PVQA7, UX035PVQM7, UX035PVXA7, UX035PVXM7, UX35PVNA6, UX35PVNA7, UX35PVPA6, UX35PVPA7, UX35PVQA6, UX35PVQA7, UX35PVQM6, UX35PVQM7, UX35PVXA6, UX35PVXA7, UX35PVXM6 and UX35PVXM7; 8 used; Black
	9001618	Suspension Spring	Models HX018PVQM7, HX018PVXM7, HX025PVQM7, HX025PVXM7, HX18PVQM6, HX18PVQM7, HX18PVXM6, HX18PVXM7, HX25PVQM6, HX25PVQM7, HX25PVXM6, HX25PVXM7, SX018PVPA7, SX018PVQM7, SX018PVXM7, SX025PVQM7, SX025PVXM7, SX18PVPA7, SX18PVQM6, SX18PVQM7, SX18PVXM6, SX18PVXM7, SX25PVQM6, SX25PVQM7, SX25PVXM6, SX25PVXM7, UX018PVNA7, UX018PVPA7, UX018PVQA7, UX018PVQM7, UX018PVXA7, UX018PVXM7, UX025PVNA7, UX025PVPA7, UX025PVQA7, UX025PVQM7, UX025PVXA7, UX025PVXM7, UX18PVNA6, UX18PVNA7, UX18PVPA6, UX18PVPA7, UX18PVQA6, UX18PVQA7, UX18PVQM6, UX18PVQM7, UX18PVXA6, UX18PVXA7, UX18PVXM6, UX18PVXM7, UX25PVNA6, UX25PVNA7, UX25PVPA6, UX25PVPA7, UX25PVQA6, UX25PVQA7, UX25PVQM6, UX25PVQM7, UX25PVXA6, UX25PVXA7, UX25PVXM6 and UX25PVXM7; 4 used
	247/00002/03	Shock Absorber	Includes items 2, 4 and 9001618 Suspension Spring
8	9001611	Spring Holder Top	
9	9001220	Washer	

## Shell and Basket (Drawing 1 of 3)

Models HX18PVQU6, HX18PVXU6, HX25PVQU6, HX25PVXU6, HX35PVQU6, HX35PVXU6, SX18PVQU6, SX18PVXU6, SX25PVQU6, SX25PVXU6, SX35PVQU6, SX35PVXU6, UX18PVNU6, UX18PVPU6, UX18PVQU6, UX18PVXU6, UX25PVNU6, UX25PVPU6, UX25PVQU6, UX25PVXU6, UX35PVNU6, UX35PVPU6, UX35PVQU6 and UX35PVXU6



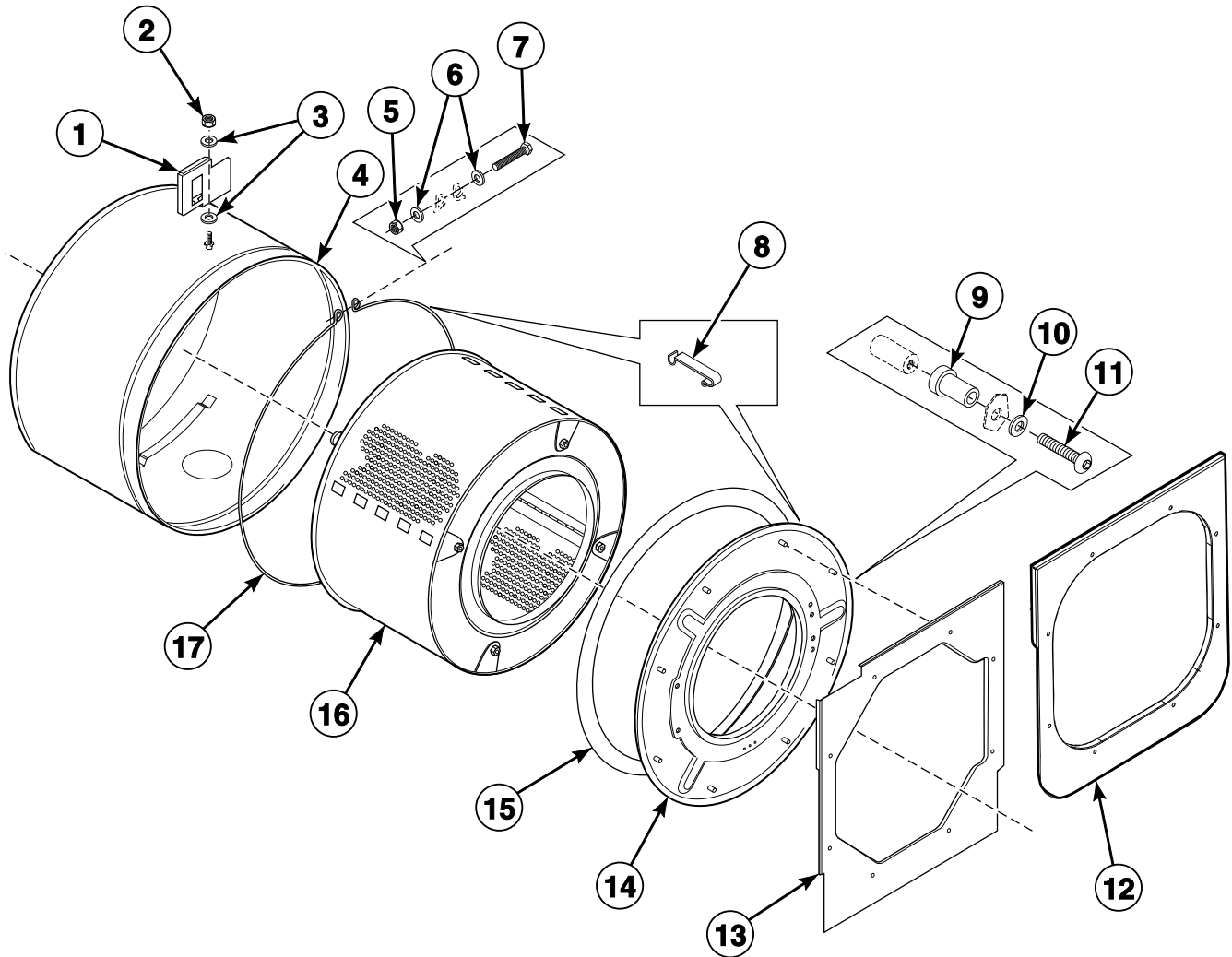
CFD3P\_9001004

## Shell and Basket (Drawing 1 of 3)

REF	PART NO.	DESCRIPTION	COMMENTS
1	9001114	Tub	Models HX18PVQU6, HX18PVXU6, SX18PVQU6, SX18PVXU6, UX18PVNU6, UX18PVPU6, UX18PVQU6 and UX18PVXU6; Standard models
	9001115	Tub	Models HX18PVQU6, HX18PVXU6, SX18PVQU6, SX18PVXU6, UX18PVNU6, UX18PVPU6, UX18PVQU6 and UX18PVXU6; Steam heat models
	9001113	Tub	Models HX18PVQU6, HX18PVXU6, SX18PVQU6, SX18PVXU6, UX18PVNU6, UX18PVPU6, UX18PVQU6 and UX18PVXU6; Electric heat models
	9001109	Tub	Models HX25PVQU6, HX25PVXU6, SX25PVQU6, SX25PVXU6, UX25PVNU6, UX25PVPU6, UX25PVQU6 and UX25PVXU6; Standard models
	9001112	Tub	Models HX25PVQU6, HX25PVXU6, SX25PVQU6, SX25PVXU6, UX25PVNU6, UX25PVPU6, UX25PVQU6 and UX25PVXU6; Steam heat models
	9001108	Tub	Models HX25PVQU6, HX25PVXU6, SX25PVQU6, SX25PVXU6, UX25PVNU6, UX25PVPU6, UX25PVQU6 and UX25PVXU6; Electric and steam heat models
	9001111	Tub	Models HX35PVQU6, HX35PVXU6, SX35PVQU6, SX35PVXU6, UX35PVNU6, UX35PVPU6, UX35PVQU6 and UX35PVXU6; Standard models
	9001690	Tub	Models HX35PVQU6, HX35PVXU6, SX35PVQU6, SX35PVXU6, UX35PVNU6, UX35PVPU6, UX35PVQU6 and UX35PVXU6; Electric heat models
	9001691	Tub	Models HX35PVQU6, HX35PVXU6, SX35PVQU6, SX35PVXU6, UX35PVNU6, UX35PVPU6, UX35PVQU6 and UX35PVXU6; Steam heat models
2	9001254	Nut	
3	9001214	Washer	
4	206/00032/00	Bolt	
5	9001463	Tub Front Ring Clamp	Models HX18PVQU6, HX18PVXU6, HX25PVQU6, HX25PVXU6, SX18PVQU6, SX18PVXU6, SX25PVQU6, SX25PVXU6, UX18PVNU6, UX18PVPU6, UX18PVQU6, UX18PVXU6, UX25PVNU6, UX25PVPU6, UX25PVQU6 and UX25PVXU6
	9001484	Tub Front Ring Clamp	Models HX35PVQU6, HX35PVXU6, SX35PVQU6, SX35PVXU6, UX35PVNU6, UX35PVPU6, UX35PVQU6 and UX35PVXU6; 15 required
6	111/01954/00	Cylinder and Trunnion Assembly	Models HX18PVQU6, HX18PVXU6, SX18PVQU6, SX18PVXU6, UX18PVNU6, UX18PVPU6, UX18PVQU6 and UX18PVXU6
	9001126	Cylinder and Trunnion Assembly	Models HX25PVQU6, HX25PVXU6, SX25PVQU6, SX25PVXU6, UX25PVNU6, UX25PVPU6, UX25PVQU6 and UX25PVXU6
	111/01962/00	Cylinder and Trunnion Assembly	Models HX35PVQU6, HX35PVXU6, SX35PVQU6, SX35PVXU6, UX35PVNU6, UX35PVPU6, UX35PVQU6 and UX35PVXU6
7	9001464	Tub Front Panel Clip	
8	223/00242/10	Tub Gasket	Models HX18PVQU6, HX18PVXU6, HX25PVQU6, HX25PVXU6, SX18PVQU6, SX25PVQU6, SX25PVXU6, UX18PVNU6, UX18PVPU6, UX18PVQU6, UX18PVXU6, UX25PVNU6, UX25PVPU6, UX25PVQU6 and UX25PVXU6
	223/00242/20	Tub Gasket	Models HX35PVQU6, HX35PVXU6, SX35PVQU6, SX35PVXU6, UX35PVNU6, UX35PVPU6, UX35PVQU6 and UX35PVXU6
9	9001102	Tub Front	Models HX18PVQU6, HX18PVXU6, HX25PVQU6, HX25PVXU6, SX18PVQU6, SX18PVXU6, SX25PVQU6, SX25PVXU6, UX18PVNU6, UX18PVPU6, UX18PVQU6, UX18PVXU6, UX25PVNU6, UX25PVPU6, UX25PVQU6 and UX25PVXU6
	9001136	Tub Front	Models HX35PVQU6, HX35PVXU6, SX35PVQU6, SX35PVXU6, UX35PVNU6, UX35PVPU6, UX35PVQU6 and UX35PVXU6

## Shell and Basket (Drawing 2 of 3)

Models HX18PVQM6, HX18PVXM6, HX25PVQM6, HX25PVXM6, HX35PVQM6, HX35PVXM6, SX18PVQM6, SX18PVXM6, SX25PVQM6, SX25PVXM6, SX35PVQM6, SX35PVXM6, UX18PVNA6, UX18PVPA6, UX18PVQA6, UX18PVQM6, UX18PVXA6, UX18PVXM6, UX25PVNA6, UX25PVPA6, UX25PVQA6, UX25PVQM6, UX25PVXA6, UX25PVXM6, UX35PVNA6, UX35PVPA6, UX35PVQA6, UX35PVQM6, UX35PVXA6 and UX35PVXM6



CFD218P\_9001004

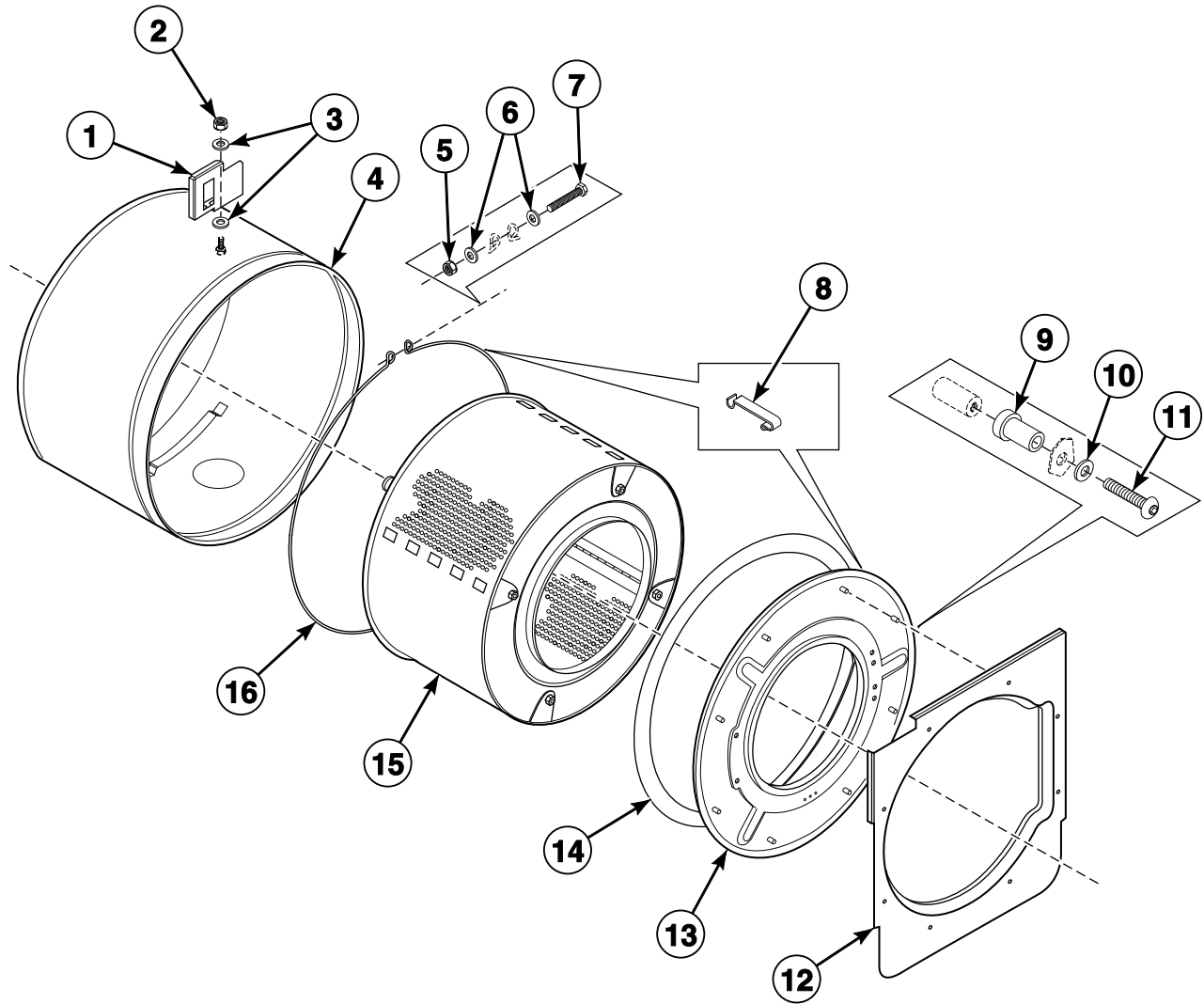
## Shell and Basket (Drawing 2 of 3)

REF	PART NO.	DESCRIPTION	COMMENTS
1	9001917	Tilt Detector Plate	
2	9001263	Nut	
3	9001216	Washer	
4	9001919	Tub	18 pound standard and steam heat models
	9001918	Tub	18 pound electric heat models
	9002048	Outer Tub	25 pound electric heat models
	B12328701	Outer Tub	25 pound standard and steam heat models
	9002054	Outer Tub	35 pound electric heat models
	9002055	Outer Tub	35 pound standard and steam heat models
5	9001254	Nut	
6	9001214	Washer	
7	206/00032/00	Bolt	
8	9001464	Tub Front Panel Clip	15 required
9	N/A	Nut	
10	9001214	Washer	18 and 35 pound models
	9001235	Washer	25 pound models
11	9001657	Screw	
12	9002037	Front Panel	18 and 25 pound models
13	9002050	Front Panel	35 pound models
14	9002038	Front Shell	18 and 25 pound models
	9002056	Front Shell	35 pound models
15	223/00242/10	Tub Gasket	18 and 25 pound models
	223/00242/20	Tub Gasket	35 pound models
16	111/01917/00	Cylinder and Shaft Assembly	18 pound models
	B12326101	Drum and Axle	25 pound models
	B12326701	Drum and Axle	35 pound models
17	9001463	Tub Front Ring Clamp	18 and 25 pound models
	9001484	Tub Front Ring Clamp	35 pound models

**N/A = Part no longer available**

# Shell and Basket (Drawing 3 of 3)

Models HX018PVQM7, HX018PVXM7, HX025PVQM7, HX025PVXM7, HX035PVQM7, HX035PVXM7, HX18PVQM7, HX18PVXM7, HX25PVQM7, HX25PVXM7, HX35PVQM7, HX35PVXM7, SX018PVPA7, SX018PVQM7, SX018PVXM7, SX025PVQM7, SX025PVXM7, SX035PVNM7, SX035PVQM7, SX035PVXM7, SX18PVPA7, SX18PVQM7, SX18PVXM7, SX25PVQM7, SX25PVXM7, SX35PVNM7, SX35PVQM7, SX35PVXM7, UX018PVNA7, UX018PVPA7, UX018PVQA7, UX018PVQM7, UX018PVXA7, UX018PVXM7, UX025PVNA7, UX025PVPA7, UX025PVQA7, UX025PVQM7, UX025PVXA7, UX025PVXM7, UX035PVNA7, UX035PVPA7, UX035PVQA7, UX035PVQM7, UX035PVXA7, UX035PVXM7, UX18PVNA7, UX18PVPA7, UX18PVQA7, UX18PVXA7, UX18PVXM7, UX25PVNA7, UX25PVPA7, UX25PVQA7, UX25PVQM7, UX25PVXA7, UX25PVXM7, UX35PVNA7, UX35PVPA7, UX35PVQA7, UX35PVQM7, UX35PVXA7 and UX35PVXM7



CFD211P\_9001004

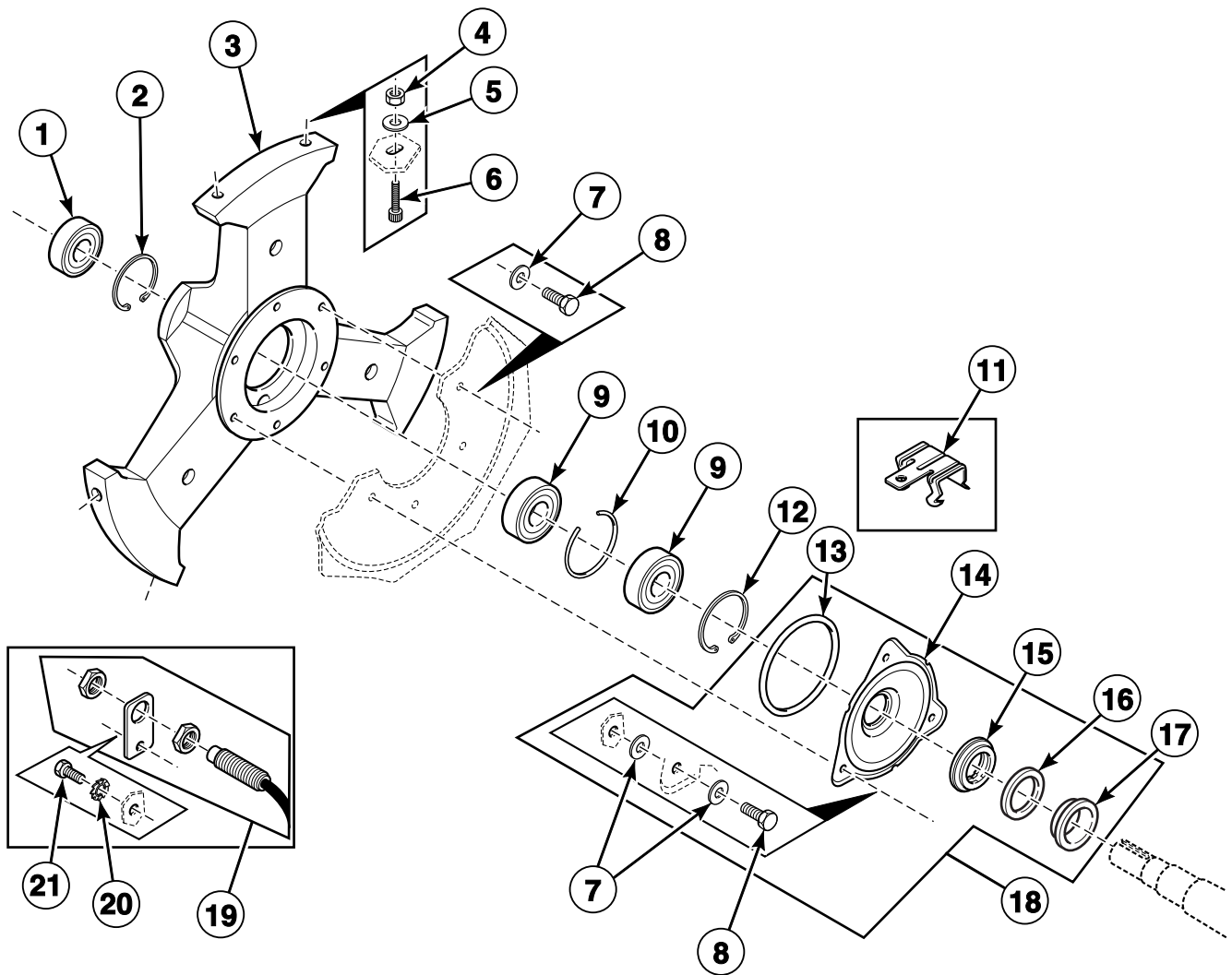
## Shell and Basket (Drawing 3 of 3)

REF	PART NO.	DESCRIPTION	COMMENTS
1	9001917	Tilt Detector Plate	
2	9001263	Nut	
3	9001216	Washer	
4	9001919	Tub	18 pound standard and steam heat models
	9001918	Tub	18 pound electric heat models
	9002048	Outer Tub	25 pound electric heat models
	B12328701	Outer Tub	25 pound standard and steam heat models
	9002054	Outer Tub	35 pound electric heat models
	9002055	Outer Tub	35 pound standard and steam heat models
5	9001254	Nut	
6	9001214	Washer	
7	206/00032/00	Bolt	
8	9001464	Tub Front Panel Clip	15 required
9	N/A	Nut	
10	9001214	Washer	18 and 35 pound models
	9001235	Washer	25 pound models
11	9001657	Screw	
12	111/01897/00	Front Panel	
13	9002038	Front Shell	18 and 25 pound models
	9002056	Front Shell	35 pound models
14	223/00242/10	Tub Gasket	18 and 25 pound models
	223/00242/20	Tub Gasket	35 pound models
15	111/01917/00	Cylinder and Shaft Assembly	18 pound models; Models through 1/30/11; Requires 9001699 Shaft Seal Holder
	B12379701	Basket and Shaft Assembly	18 pound models; 3 mm basket hole diameter; Models starting 1/31/11; Requires B12333601 Seal Plate Assembly
	B12379801	Basket and Shaft Assembly	18 pound models; 9 mm basket hole diameter; Models starting 1/31/11; Requires B12333601 Seal Plate Assembly
	B12326101	Drum and Axle	25 pound models; Models through 1/30/11; Requires 9001699 Shaft Seal Holder
	B12379901	Basket and Shaft Assembly	25 pound models; 3 mm basket hole diameter; Models starting 1/31/11; Requires B12333601 Seal Plate Assembly
	B12380001	Basket and Shaft Assembly	25 pound models; 9 mm basket hole diameter; Models starting 1/31/11; Requires B12333601 Seal Plate Assembly
	B12326701	Drum and Axle	35 pound models; Models through 1/30/11; Requires 9001117 Seal Holder Assembly
	B12380501	Basket and Shaft Assembly	35 pound models; 3 mm basket hole diameter; Models starting 1/31/11; Requires B12333701 Seal Plate Assembly
	B12380601	Basket and Shaft Assembly	35 pound models; 9 mm basket hole diameter; Models starting 1/31/11; Requires B12333701 Seal Plate Assembly
16	9001463	Tub Front Ring Clamp	18 and 25 pound models
	9001484	Tub Front Ring Clamp	35 pound models

N/A = Part no longer available

# Bearing Assembly (Drawing 1 of 2)

Models HX18PVQU6, HX18PVXU6, HX25PVQU6, HX25PVXU6, HX35PVQU6, HX35PVXU6, SX18PVQU6, SX18PVXU6, SX25PVQU6, SX25PVXU6, SX35PVQU6, SX35PVXU6, UX18PVNU6, UX18PVPU6, UX18PVQU6, UX18PVXU6, UX25PVNU6, UX25PVPU6, UX25PVQU6, UX25PVXU6, UX35PVNU6, UX35PVPU6, UX35PVQU6 and UX35PVXU6



CFD268P\_9001004

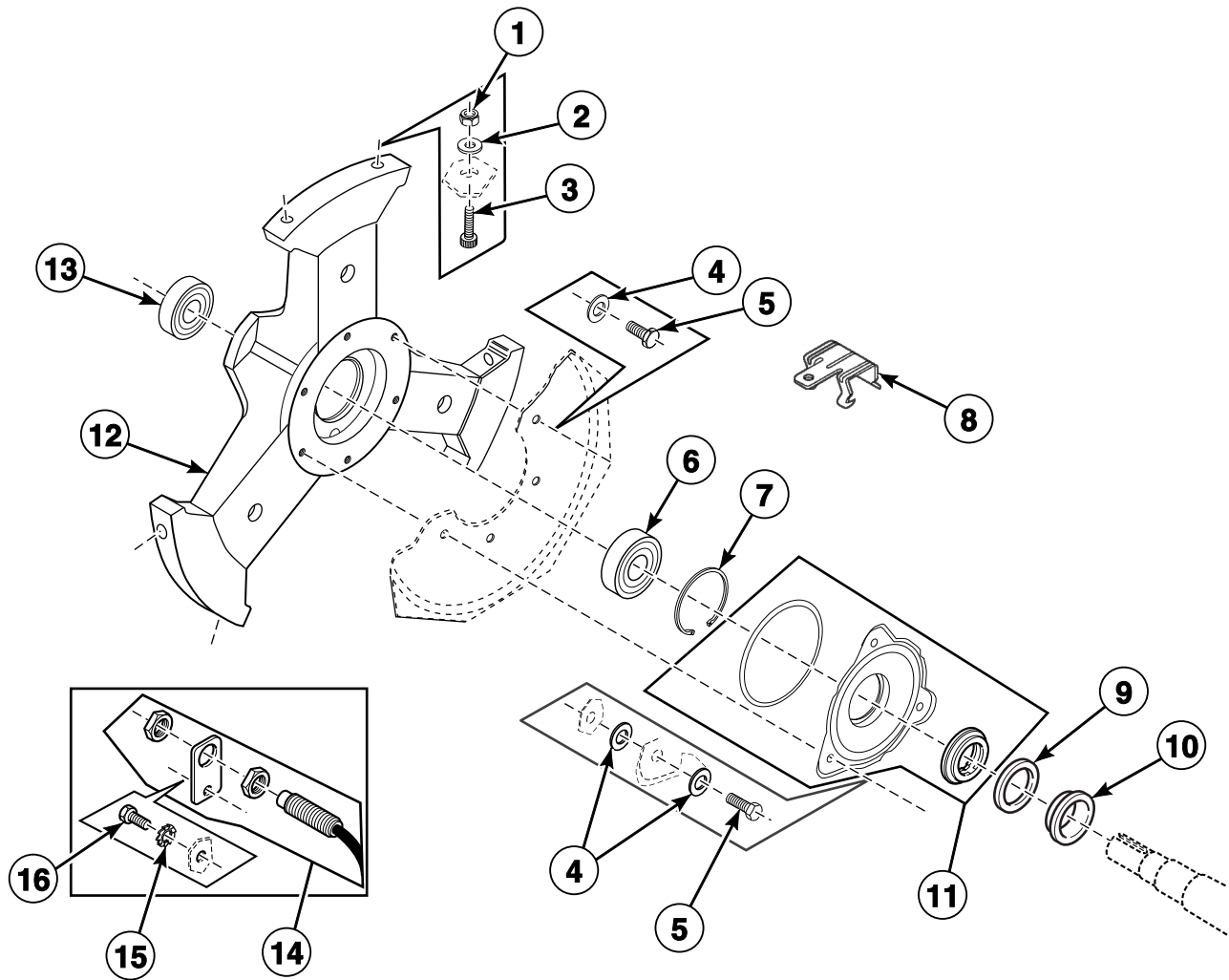


## Bearing Assembly (Drawing 1 of 2)

REF	PART NO.	DESCRIPTION	COMMENTS
	889P3	Bearing Kit	18 and 25 pound models; Includes items 1, 7-9, 18, and 223/00242/10 Tub Front Gasket
	890P3	Bearing Replacement Kit	35 pound models; Includes items 1, 7-9, 18 and 223/00242/20 Tub Front Gasket
	383P4	Bearing Replacement Tool Kit	18 and 25 pound models
	384P4	Bearing Replacement Tool Kit	35 pound models
<b>1</b>	9001454	Ball Bearing	18 and 25 pound models
	F100137P	Bearing	35 pound models
<b>2</b>	9001622	Retainer Ring	18 and 25 pound models
	9001453	Retainer Ring	35 pound models
<b>3</b>	9001028	Bearing Housing Assembly	18 and 25 pound models; Includes items 1, 2, 9, 10 and 12
	9001031	Bearing Housing Assembly	35 pound models; Includes items 1, 2, 9, 10 and 12
<b>4</b>	9001264	Nut	18 and 25 pound models
	9001265	Nut	35 pound models
<b>5</b>	9001219	Washer	18 and 25 pound models
	9001218	Washer	35 pound models
<b>6</b>	9001300	Screw	18 and 25 pound models
	9001303	Screw	35 pound models
<b>7</b>	9001225	Washer	
<b>8</b>	9001272	Bolt	
<b>9</b>	215/00001/13	Ball Bearing	18 and 25 pound models
	9001457	Ball Bearing	35 pound models
<b>10</b>	9001448	Retainer Ring	18 and 25 pound models
	9001449	Retainer Ring	35 pound models
<b>11</b>	9001559	Caddy Bracket	4H58-4
	9001560	Caddy Bracket	4H912
<b>12</b>	9001446	Retainer Ring	18 and 25 pound models
	9001447	Retainer Ring	35 pound models
<b>13</b>	9001460	O-Ring	
<b>14</b>	9001032	Seal Cover	18 and 25 pound models
	9001116	Seal Plate	35 pound models
<b>15</b>	9001461	Shaft Seal	18 and 25 pound models
	9001482	Shaft Seal	35 pound models
<b>16</b>	9001462	Counter Ring	18 and 25 pound models
	9001483	Counter Ring	35 pound models
<b>17</b>	217/00100/00	Bearing Spacer	18 and 25 pound models
	9001980	Bearing Spacer	35 pound models
<b>18</b>	9001699	Shaft Seal Holder	18 and 25 pound models; Includes items 7, 8 and 13-17
	9001117	Seal Holder Assembly	35 pound models; Includes items 7, 8 and 13-17
<b>19</b>	210/00074/00	Speed Detector	
<b>20</b>	9001241	Washer	
<b>21</b>	9001274	Bolt	

## Bearing Assembly (Drawing 2 of 2)

All Models Except HX18PVQU6, HX18PVXU6, HX25PVQU6, HX25PVXU6, HX35PVQU6, HX35PVXU6, SX18PVQU6, SX18PVXU6, SX25PVQU6, SX25PVXU6, SX35PVQU6, SX35PVXU6, UX18PVNU6, UX18PVPU6, UX18PVQU6, UX18PVXU6, UX25PVNU6, UX25PVPU6, UX25PVQU6, UX25PVXU6, UX35PVNU6, UX35PVPU6, UX35PVQU6 and UX35PVXU6



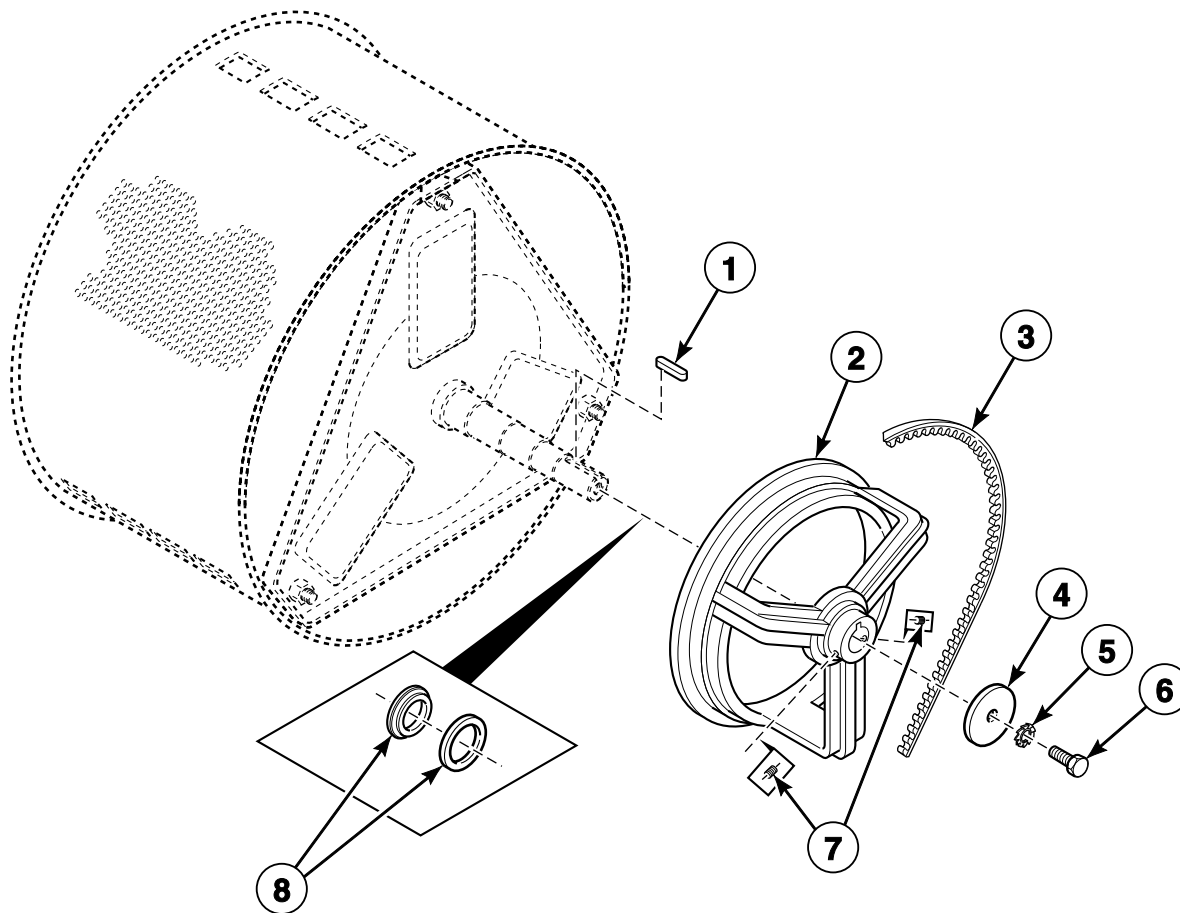
CFD269P\_9001004

## Bearing Assembly (Drawing 2 of 2)

REF	PART NO.	DESCRIPTION	COMMENTS
	383P4	Bearing Replacement Tool Kit	18 and 25 pound models
	384P4	Bearing Replacement Tool Kit	35 pound models
<b>1</b>	9001264	Nut	
<b>2</b>	9001218	Washer	
<b>3</b>	9001300	Screw	18 and 25 pound models
	9001303	Screw	35 pound models
<b>4</b>	9001225	Washer	
<b>5</b>	9001272	Bolt	
<b>6</b>	F100137P	Bearing	18 and 25 pound models
	9001438	Ball Bearing	35 pound models
<b>7</b>	9001453	Retainer Ring	18 and 25 pound models
	9001440	Retainer Ring	35 pound models
<b>8</b>	9001559	Caddy Bracket	4H58-4
	9001560	Caddy Bracket	4H912
<b>9</b>	217/00100/00	Bearing Spacer	18 and 25 pound models
	9001980	Bearing Spacer	35 pound models
<b>10</b>	9001462	Counter Ring	18 and 25 pound models
	9001483	Counter Ring	35 pound models
<b>11</b>	9001699	Shaft Seal Holder	Models through 1/30/11; 18 pound models: Requires 111/01917/00 Cylinder and Shaft Assembly; 25 pound models: Requires B12326101 Drum and Axle
	B12333601	Seal Plate Assembly	Models starting 1/31/11; 18 pound models: 3 mm requires B12379701 Basket and Shaft Assembly; 9 mm requires B12379801 Basket and Shaft Assembly; 25 pound models: 3 mm requires B12379901 Basket and Shaft Assembly; 9 mm requires B12380001 Basket and Shaft Assembly
	9001117	Seal Holder Assembly	35 pound models; Models through 1/30/11 requires 9002057 Basket and Shaft Assembly
	B12333701	Seal Plate Assembly	35 pound models; Models starting 1/31/11; 3 mm requires B12380501 Basket and Shaft Assembly; 9 mm requires B12380601 Basket and Shaft Assembly
<b>12</b>	152/10117/01	Bearing Housing Assembly	18 and 25 pound models; Includes items 6, 7 and 13
	152/10118/01	Bearing Housing Assembly	35 pound models; Includes items 6, 7 and 13
<b>13</b>	215/00001/13	Ball Bearing	18 and 25 pound models
	F100134	Bearing	35 pound models
<b>14</b>	210/00074/00	Speed Detector	
<b>15</b>	9001241	Washer	
<b>16</b>	9001274	Bolt	

## Basket, Pulley and Belt (Drawing 1 of 2)

Models HX18PVQU6, HX18PVXU6, HX25PVQU6, HX25PVXU6, HX35PVQU6, HX35PVXU6, SX18PVQU6, SX18PVXU6, SX25PVQU6, SX25PVXU6, SX35PVQU6, SX35PVXU6, UX18PVNU6, UX18PVPU6, UX18PVQU6, UX18PVXU6, UX25PVNU6, UX25PVPU6, UX25PVQU6, UX25PVXU6, UX35PVNU6, UX35PVPU6, UX35PVQU6 and UX35PVXU6



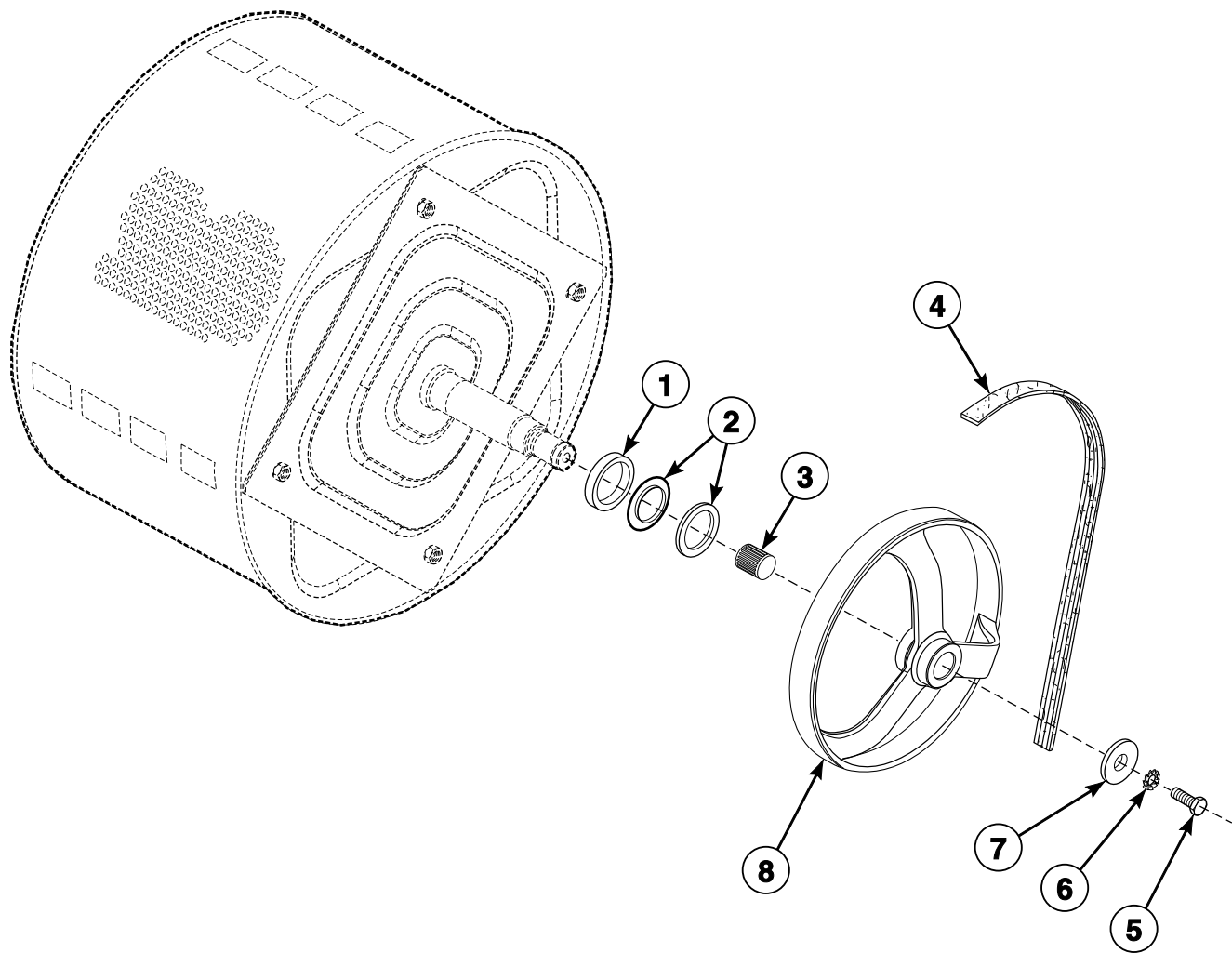
CFD5P\_9001004

## Basket, Pulley and Belt (Drawing 1 of 2)

REF	PART NO.	DESCRIPTION	COMMENTS
1	9001459	Cylinder Shaft Key	Models HX18PVQU6, HX18PVXU6, HX25PVQU6, HX25PVXU6, SX18PVQU6, SX18PVXU6, SX25PVQU6, SX25PVXU6, UX18PVNU6, UX18PVPU6, UX18PVQU6, UX18PVXU6, UX25PVNU6, UX25PVPU6, UX25PVQU6 and UX25PVXU6
	9001458	Cylinder Shaft Key	Models HX35PVQU6, HX35PVXU6, SX35PVQU6, SX35PVXU6, UX35PVNU6, UX35PVPU6, UX35PVQU6 and UX35PVXU6
2	9001567	Pulley	Models HX18PVQU6, HX18PVXU6, HX25PVQU6, HX25PVXU6, SX18PVQU6, SX18PVXU6, SX25PVQU6, SX25PVXU6, UX18PVNU6, UX18PVPU6, UX18PVQU6, UX18PVXU6, UX25PVNU6, UX25PVPU6, UX25PVQU6 and UX25PVXU6
	9001566	Pulley	Models HX35PVQU6, HX35PVXU6, SX35PVQU6, SX35PVXU6, UX35PVNU6, UX35PVPU6, UX35PVQU6 and UX35PVXU6
3	9001572	V-Belt	Models HX18PVQU6, HX18PVXU6, HX25PVQU6, HX25PVXU6, SX18PVQU6, SX18PVXU6, SX25PVQU6, SX25PVXU6, UX18PVNU6, UX18PVPU6, UX18PVQU6, UX18PVXU6, UX25PVNU6, UX25PVPU6, UX25PVQU6 and UX25PVXU6
	9001573	V-Belt	Models HX35PVQU6, HX35PVXU6, SX35PVQU6, SX35PVXU6, UX35PVNU6, UX35PVPU6, UX35PVQU6 and UX35PVXU6; 2 required
4	9001210	Washer	Models HX18PVQU6, HX18PVXU6, HX25PVQU6, HX25PVXU6, SX18PVQU6, SX18PVXU6, SX25PVQU6, SX25PVXU6, UX18PVNU6, UX18PVPU6, UX18PVQU6, UX18PVXU6, UX25PVNU6, UX25PVPU6, UX25PVQU6 and UX25PVXU6
	9001217	Washer	Models HX35PVQU6, HX35PVXU6, SX35PVQU6, SX35PVXU6, UX35PVNU6, UX35PVPU6, UX35PVQU6 and UX35PVXU6
5	9001238	Washer	
6	9001284	Bolt	Models HX18PVQU6, HX18PVXU6, HX25PVQU6, HX25PVXU6, SX18PVQU6, SX18PVXU6, SX25PVQU6, SX25PVXU6, UX18PVNU6, UX18PVPU6, UX18PVQU6, UX18PVXU6, UX25PVNU6, UX25PVPU6, UX25PVQU6 and UX25PVXU6
	9001283	Bolt	Models HX35PVQU6, HX35PVXU6, SX35PVQU6, SX35PVXU6, UX35PVNU6, UX35PVPU6, UX35PVQU6 and UX35PVXU6
7	9001302	Screw	
8	9001462	Counter Ring	Models HX18PVQU6, HX18PVXU6, HX25PVQU6, HX25PVXU6, SX18PVQU6, SX18PVXU6, SX25PVQU6, SX25PVXU6, UX18PVNU6, UX18PVPU6, UX18PVQU6, UX18PVXU6, UX25PVNU6, UX25PVPU6, UX25PVQU6 and UX25PVXU6
	9001483	Counter Ring	Models HX35PVQU6, HX35PVXU6, SX35PVQU6, SX35PVXU6, UX35PVNU6, UX35PVPU6, UX35PVQU6 and UX35PVXU6

## Basket, Pulley and Belt (Drawing 2 of 2)

All Models Except HX18PVQU6, HX18PVXU6, HX25PVQU6, HX25PVXU6, HX35PVQU6, HX35PVXU6, SX18PVQU6, SX18PVXU6, SX25PVQU6, SX25PVXU6, SX35PVQU6, SX35PVXU6, UX18PVNU6, UX18PVPU6, UX18PVQU6, UX18PVXU6, UX25PVNU6, UX25PVPU6, UX25PVQU6, UX25PVXU6, UX35PVNU6, UX35PVPU6, UX35PVQU6 and UX35PVXU6



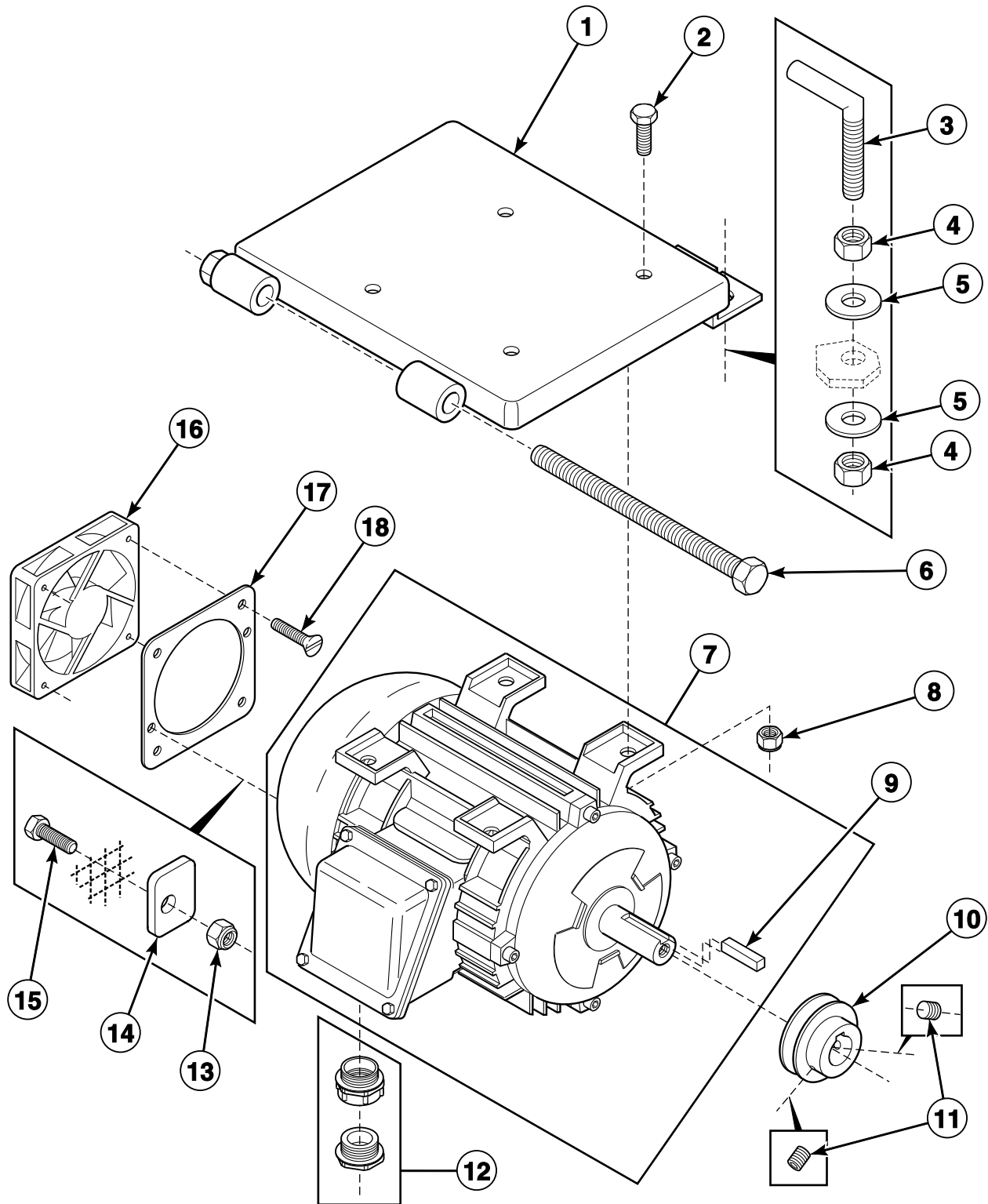
CFD143P\_9001004

## Basket, Pulley and Belt (Drawing 2 of 2)

REF	PART NO.	DESCRIPTION	COMMENTS
1	9001980	Bearing Spacer	35 pound models
	217/00100/00	Bearing Spacer	18 and 25 pound models
2	9001483	Counter Ring	35 pound models
	9001462	Counter Ring	18 and 25 pound models
3	9001928	Tolerance Ring	
4	9001981	Belt	35 pound models
	9001929	Belt	18 and 25 pound models
5	9001285	Bolt	
6	9001239	Washer	
7	9001220	Washer	
8	9001930	Pulley	

# Motor (Drawing 1 of 3)

Models HX18PVQU6, HX18PVXU6, HX25PVQU6, HX25PVXU6, SX18PVQU6, SX18PVXU6, SX25PVQU6, SX25PVXU6, UX18PVNU6, UX18PVPU6, UX18PVQU6, UX18PVXU6, UX25PVNU6, UX25PVPU6, UX25PVQU6 and UX25PVXU6



CFD6P\_9001004



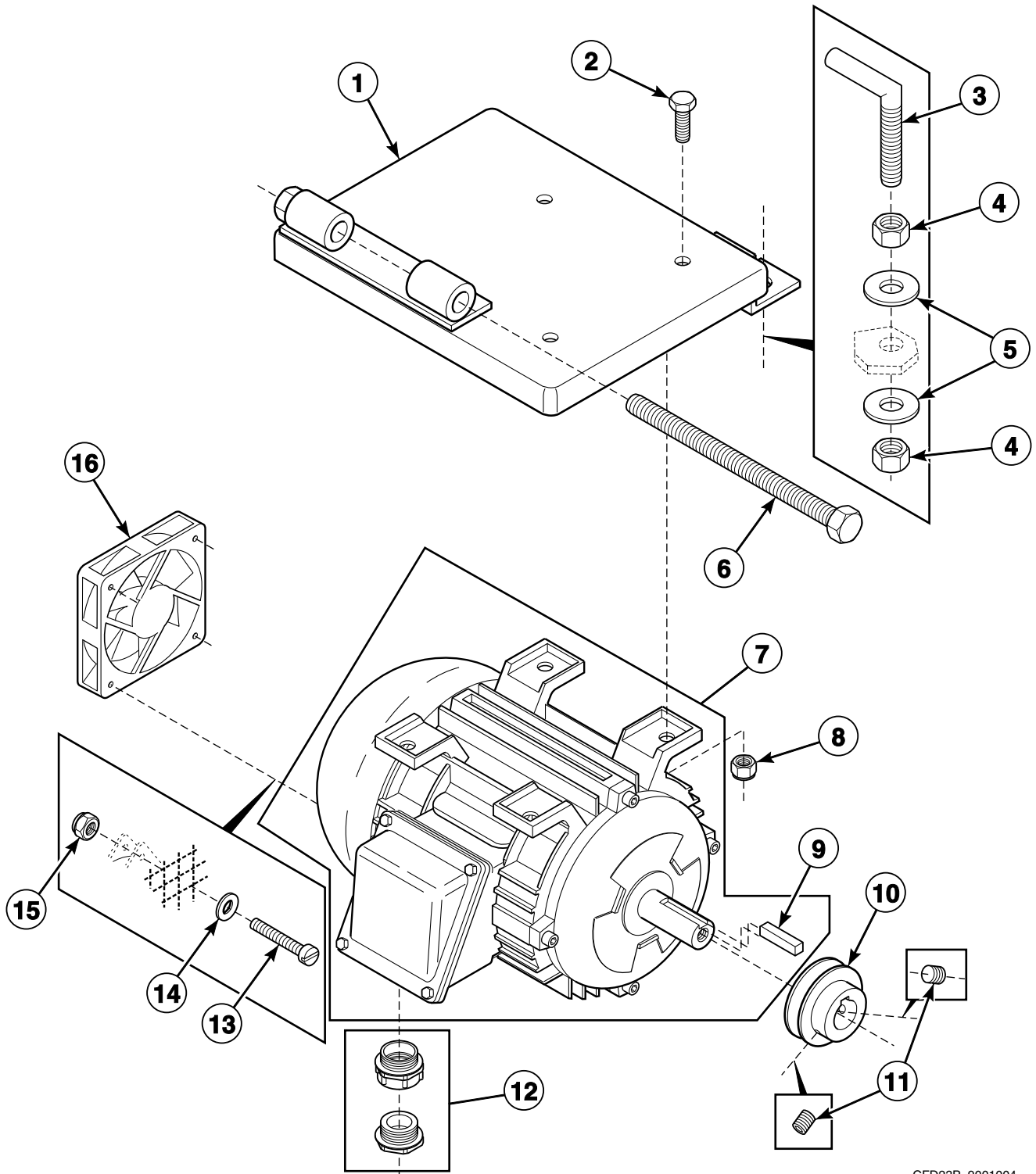
## Motor (Drawing 1 of 3)

REF	PART NO.	DESCRIPTION	COMMENTS
1	9001154	Motor Plate	
2	9001285	Bolt	
3	9001098	Belt Adjusting Rod	
4	9001255	Nut	
5	9001208	Washer	
6	9001316	Bolt	
7	9001579	Motor	
8	9001263	Nut	
9	227/00126/01	Motor Key	
10	9001571	Pulley	
11	9001302	Screw	
12	9001432	Cordlock	
13	9001268	Nut	
14	N/A	Bearing Retainer Ring	
15	9001301	Bolt	
16	9001382	Motor and Inverter Fan	
17	N/A	Fan Plate Assembly	
18	9001336	Screw	

**N/A = Part no longer available**

# Motor (Drawing 2 of 3)

Models HX35PVQU6, HX35PVXU6, SX35PVQU6, SX35PVXU6, UX35PVNU6, UX35PVPU6, UX35PVQU6 and UX35PVXU6



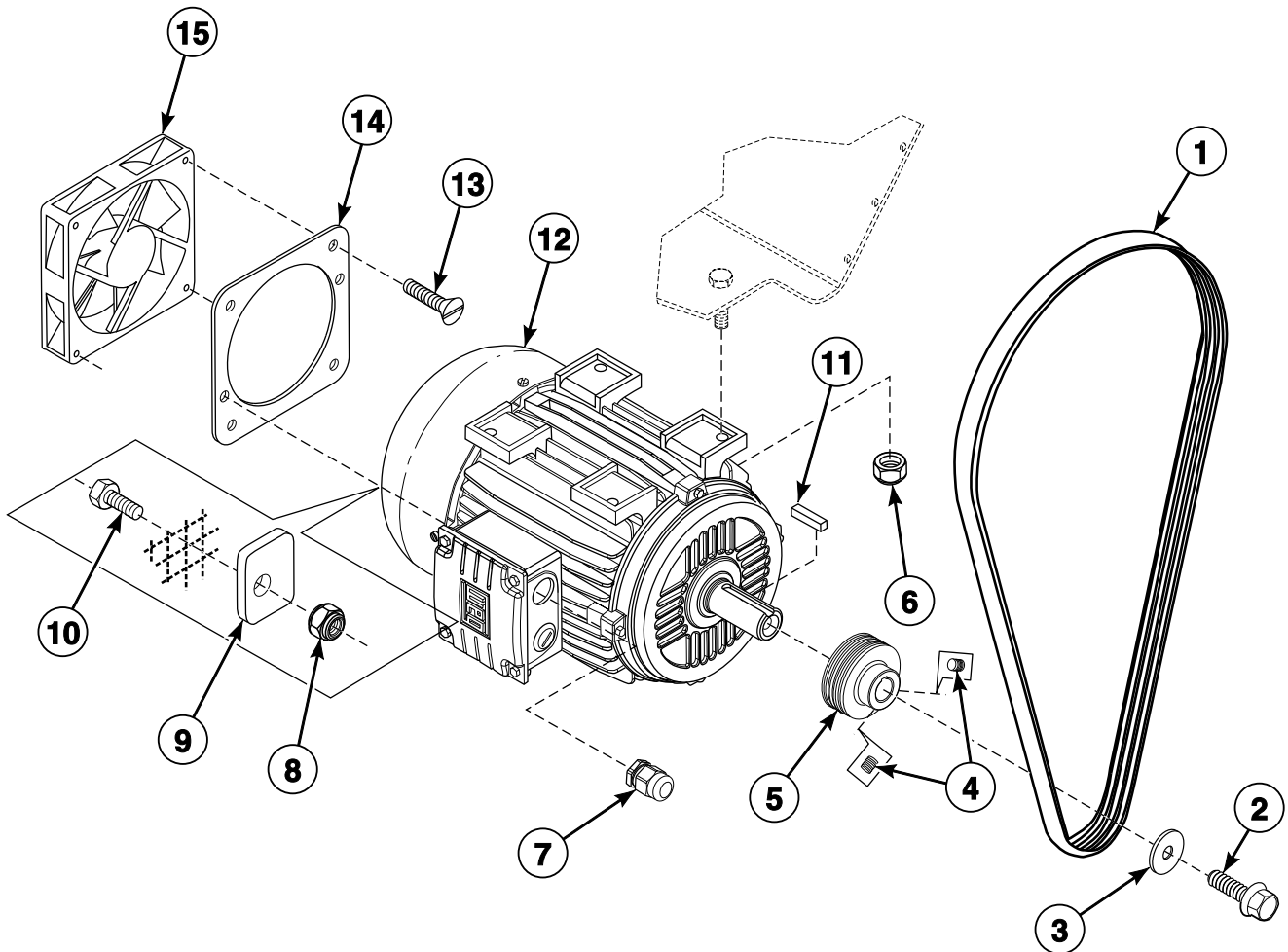
CFD23P\_9001004

## Motor (Drawing 2 of 3)

REF	PART NO.	DESCRIPTION	COMMENTS
1	9001154	Motor Plate	
2	9001285	Bolt	
3	9001098	Belt Adjusting Rod	
4	9001255	Nut	
5	9001208	Washer	
6	9001316	Bolt	
7	9001580	Motor	Includes key
8	9001263	Nut	
9	227/00127/01	Motor Key	
10	9001565	Pulley	
11	9001302	Screw	
12	9001427	Cordlock	
13	9001327	Screw	
14	9001215	Washer	
15	9001267	Nut	
16	9001382	Motor and Inverter Fan	Includes 9002031 Fan Harness

## Motor (Drawing 3 of 3)

All Models Except HX18PVQU6, HX18PVXU6, HX25PVQU6, HX25PVXU6, HX35PVQU6, HX35PVXU6, SX18PVQU6, SX18PVXU6, SX25PVQU6, SX25PVXU6, SX35PVQU6, SX35PVXU6, UX18PVNU6, UX18PVPU6, UX18PVQU6, UX18PVXU6, UX25PVNU6, UX25PVPU6, UX25PVQU6, UX25PVXU6, UX35PVNU6, UX35PVPU6, UX35PVQU6 and UX35PVXU6



CFD144P\_9001004

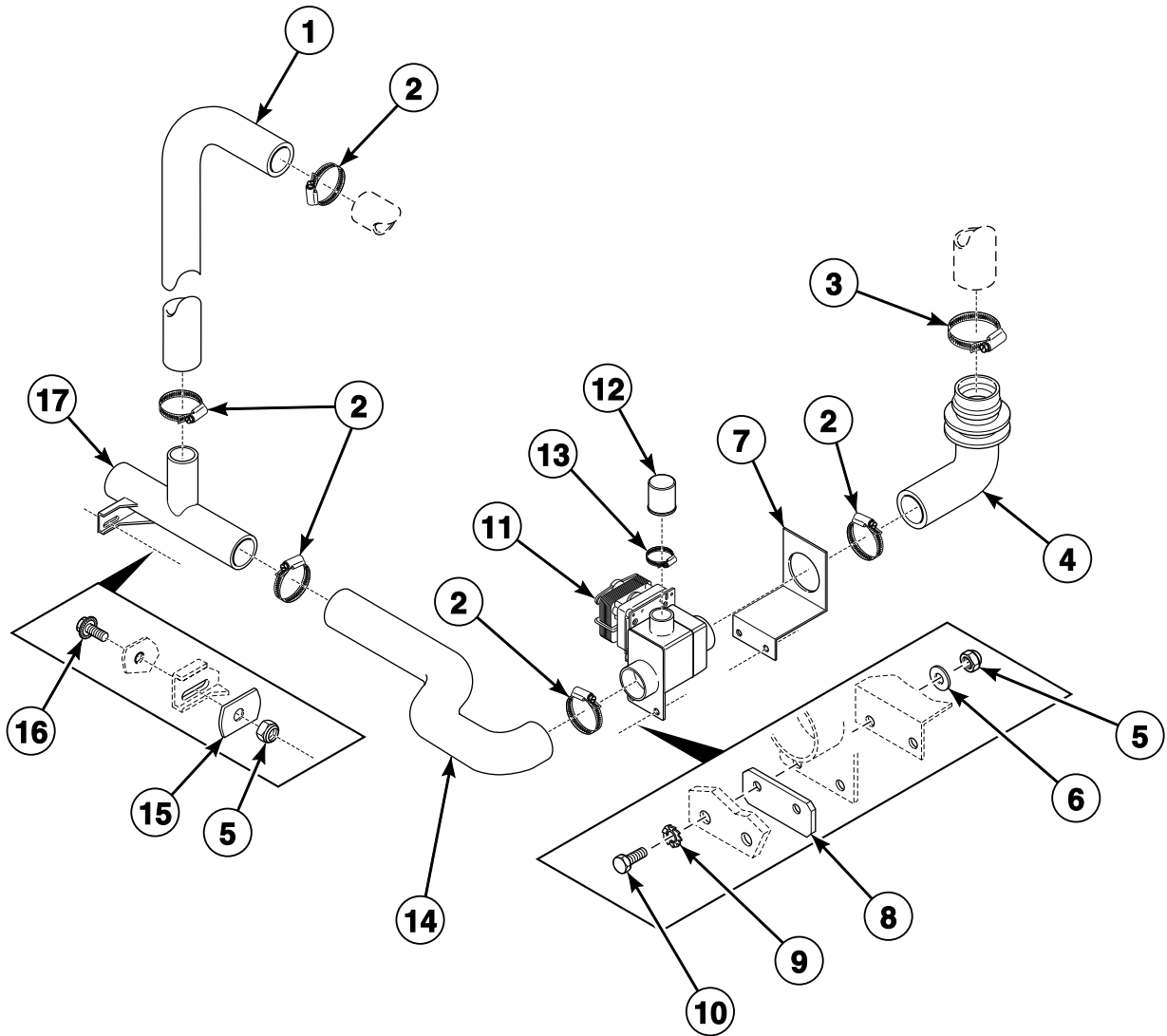
## Motor (Drawing 3 of 3)

REF	PART NO.	DESCRIPTION	COMMENTS
1	9001981	Belt	35 pound models
	9001929	Belt	18 and 25 pound models
2	9001310	Bolt	
3	9001213	Washer	
4	9001302	Screw	
5	9001982	Motor Pulley	35 pound models
	9001931	Motor Pulley	18 and 25 pound models
6	9001262	Nut	
7	9001434	Cordlock	35 pound models
	9001433	Cordlock	18 and 25 pound models
8	9001268	Nut	
9	N/A	Bearing Retainer Ring	
10	9001301	Bolt	
11	227/00127/01	Motor Key	35 pound models
	227/00126/01	Motor Key	18 and 25 pound models
12	9001580	Motor	35 pound models
	9001579	Motor	18 and 25 pound models
	227/00227/00	Inverter	
13	9001336	Screw	
14	N/A	Fan Plate Assembly	
15	9001382	Motor and Inverter Fan	Includes 9002031 Fan Harness

**N/A = Part no longer available**

# Single Drain Assembly (Drawing 1 of 4)

Models HX18PVQU6, HX18PVXU6, HX25PVQU6, HX25PVXU6, SX18PVQU6, SX18PVXU6, SX25PVQU6, SX25PVXU6, UX18PVNU6, UX18PVPU6, UX18PVQU6, UX18PVXU6, UX25PVNU6, UX25PVPU6, UX25PVQU6 and UX25PVXU6



CFD7P\_9001004

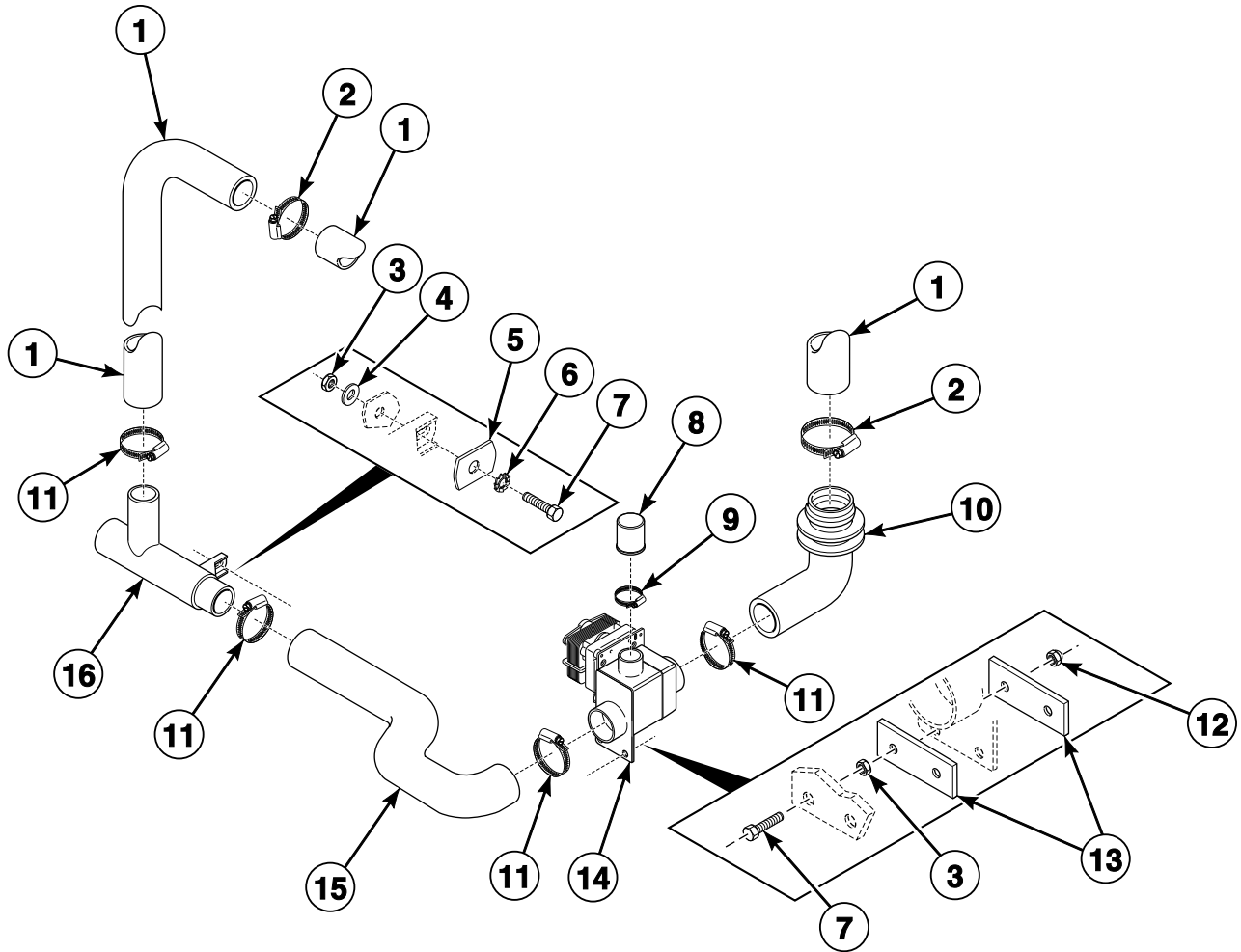
## Single Drain Assembly (Drawing 1 of 4)

REF	PART NO.	DESCRIPTION	COMMENTS
	900/00116/00	Drain Valve Harness	
1	9001527	Overflow Hose	
2	9001494	Hose Clamp	
3	9001495	Hose Clamp	
4	9001534	Drain Valve Hose	
5	9001254	Nut	
6	9001214	Washer	
7	N/A	Drain Valve Plate Assembly	
8	N/A	Drain Valve Plate	
9	9001241	Washer	
10	9001308	Screw	
11	9001353	Drain Valve	
12	9001503	Drain Valve Overflow Plug	
13	9001493	Hose Clamp	
14	9001535	Drain Valve Vent Hose	
15	9001037	Outlet Pipe Plate Assembly	
16	9001310	Bolt	
17	9001547	Drain Pipe	

N/A = Part no longer available

# Single Drain Assembly (Drawing 2 of 4)

Models HX35PVQU6, HX35PVXU6, SX35PVQU6, SX35PVXU6, UX35PVNU6, UX35PVPU6, UX35PVQU6 and UX35PVXU6



CFD24P\_9001004



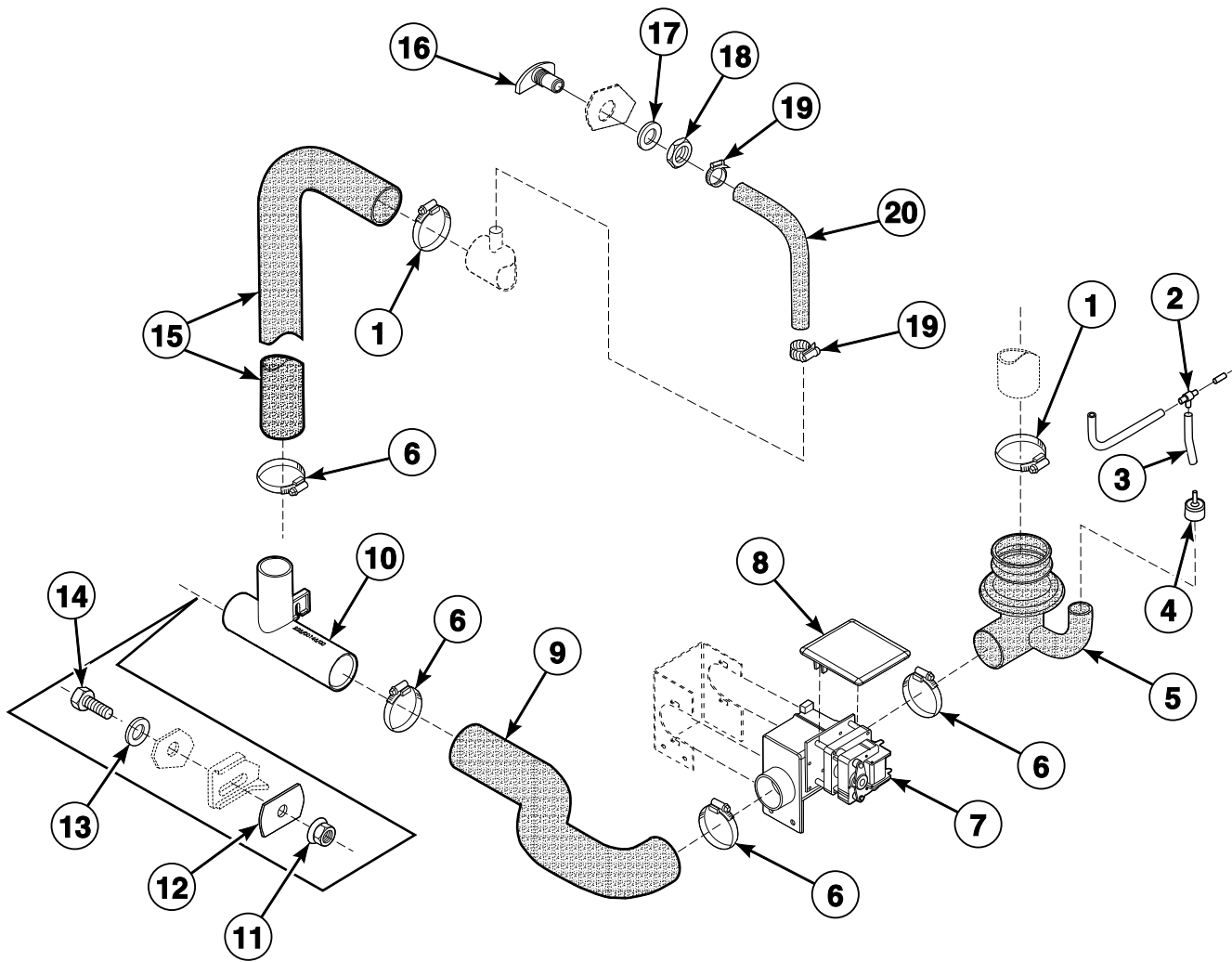
## Single Drain Assembly (Drawing 2 of 4)

REF	PART NO.	DESCRIPTION	COMMENTS
	900/00116/00	Drain Valve Harness	
1	9001504	Overflow Hose	
2	9001495	Hose Clamp	
3	9001250	Nut	
4	9001214	Washer	
5	9001037	Outlet Pipe Plate Assembly	
6	9001241	Washer	
7	9001295	Bolt	
8	9001503	Drain Valve Overflow Plug	
9	9001493	Hose Clamp	
10	9001534	Drain Valve Hose	
11	9001494	Hose Clamp	
12	9001254	Nut	
13	N/A	Drain Valve Plate	
14	9001353	Drain Valve	
15	9001535	Drain Valve Vent Hose	
16	9001517	Drain Pipe	

**N/A = Part no longer available**

# Single Drain Assembly (Drawing 3 of 4)

18, 25 and 35 Pound Models with an A or M in the 8th or 9th Position of the Model Number  
Models Through 2/18/07 and Starting Again 8/12/10



CFD180P\_9001004

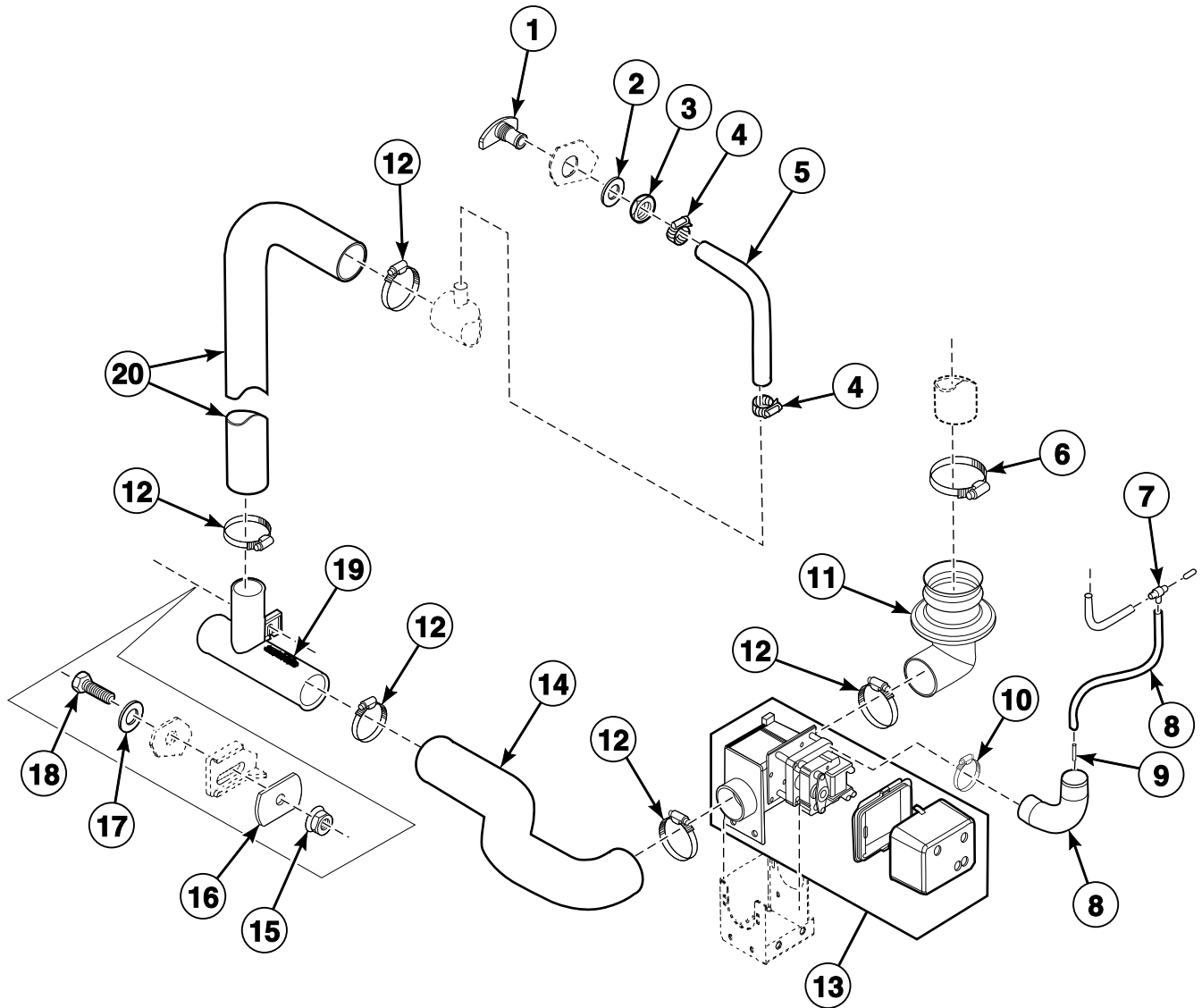
## Single Drain Assembly (Drawing 3 of 4)

REF	PART NO.	DESCRIPTION	COMMENTS
	900/00116/00	Drain Valve Harness	
1	9001495	Hose Clamp	
2	223/00173/10	Pressure Switch Hose Tee	
3	223/00333/00	Pressure Hose	
4	9001932	Pressure Switch Cap	
5	9001933	Tub to Drain Valve Hose	
6	9001494	Hose Clamp	
7	9001934	Drain Valve	
8	N/A	Drain Valve Cover	
9	9001535	Drain Valve Vent Hose	
10	9001945	Drain Pipe	
11	9001311	Nut	
12	9001037	Outlet Pipe Plate Assembly	
13	9001214	Washer	
14	9001295	Bolt	
15	9001527	Overflow Hose	Models HX018PVQM7, HX018PVXM7, HX025PVQM7, HX025PVXM7, HX18PVQM6, HX18PVQM7, HX18PVXM6, HX18PVXM7, HX25PVQM6, HX25PVQM7, HX25PVXM6, HX25PVXM7, SX018PVPA7, SX018PVQM7, SX018PVXM7, SX025PVQM7, SX025PVXM7, SX18PVPA7, SX18PVQM6, SX18PVQM7, SX18PVXM6, SX18PVXM7, SX25PVQM6, SX25PVQM7, SX25PVXM6, SX25PVXM7, UX018PVNA7, UX018PVPA7, UX018PVQA7, UX018PVQM7, UX018PVXA7, UX018PVXM7, UX025PVNA7, UX025PVPA7, UX025PVQA7, UX025PVQM7, UX025PVXA7, UX025PVXM7, UX18PVNA6, UX18PVNA7, UX18PVPA6, UX18PVPA7, UX18PVQA6, UX18PVQA7, UX18PVQM6, UX18PVQM7, UX18PVXA6, UX18PVXA7, UX18PVXM6, UX18PVXM7, UX25PVNA6, UX25PVNA7, UX25PVPA6, UX25PVPA7, UX25PVQA6, UX25PVQA7, UX25PVQM6, UX25PVQM7, UX25PVXA6, UX25PVXA7, UX25PVXM6 and UX25PVXM7
	9001983	Overflow Hose	Models HX035PVQM7, HX035PVXM7, HX35PVQM6, HX35PVQM7, HX35PVXM6, HX35PVXM7, SX035PVNM7, SX035PVQM7, SX035PVXM7, SX35PVNM7, SX35PVQM6, SX35PVQM7, SX35PVXM6, SX35PVXM7, UX035PVNA7, UX035PVPA7, UX035PVQA7, UX035PVQM7, UX035PVXA7, UX035PVXM7, UX35PVNA6, UX35PVNA7, UX35PVPA6, UX35PVPA7, UX35PVQA6, UX35PVQA7, UX35PVQM6, UX35PVQM7, UX35PVXA6, UX35PVXA7, UX35PVXM6 and UX35PVXM7
16	9001487	Prewash and Mainwash Nozzle	
17	9001209	Washer	
18	9001270	Nut	
19	F200205	Hose Clamp	No. 10
20	9001499	Water Hose	

N/A = Part no longer available

# Single Drain Assembly (Drawing 4 of 4)

18, 25 and 35 Pound Models with an A or M in the 8th Position of the Model Number  
Models Starting 2/19/07 Through 8/11/10



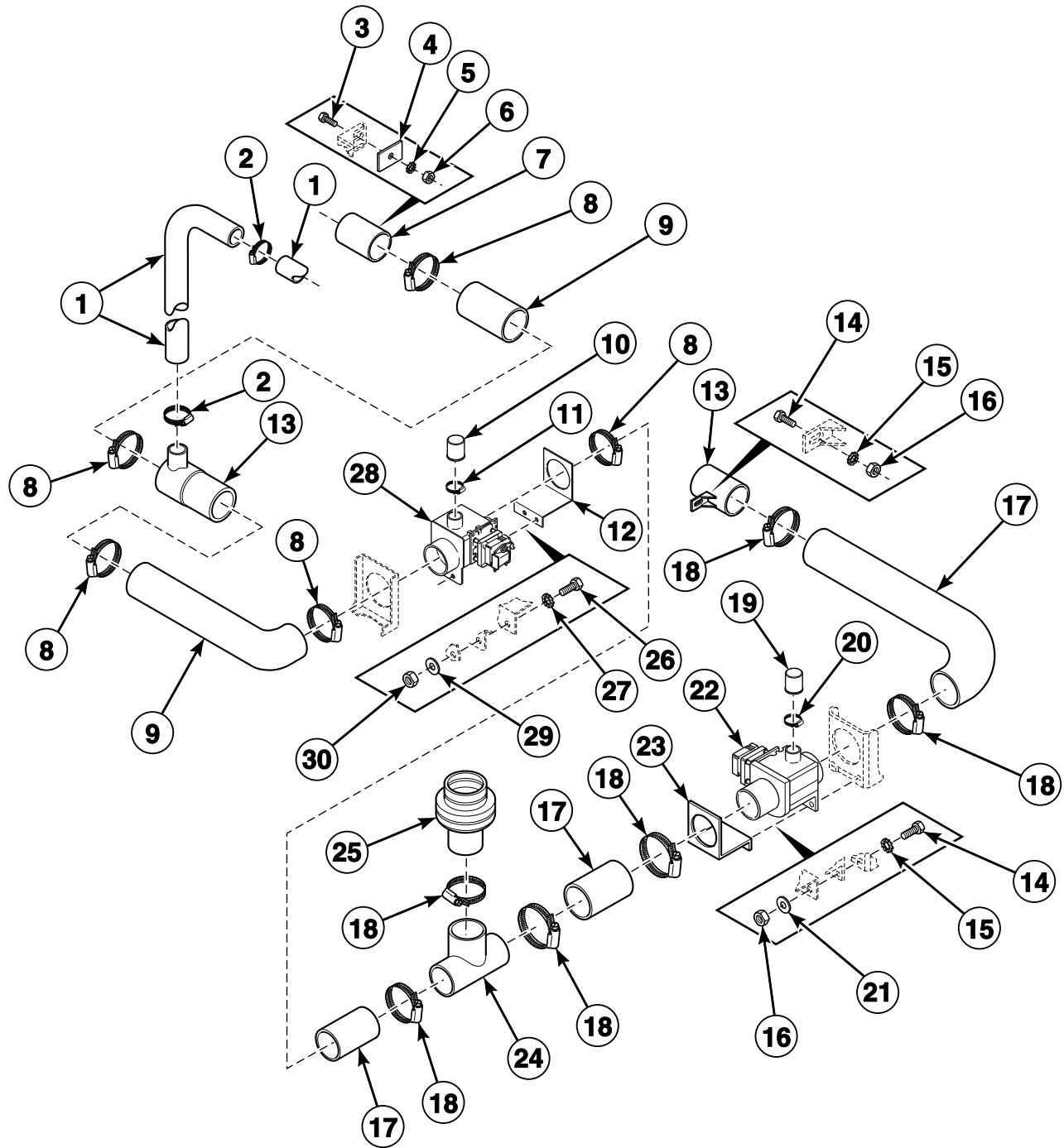
CFD197P\_9001004

## Single Drain Assembly (Drawing 4 of 4)

REF	PART NO.	DESCRIPTION	COMMENTS
	900/00116/00	Drain Valve Harness	
1	9001487	Prewash and Mainwash Nozzle	
2	9001209	Washer	
3	9001270	Nut	
4	F200205	Hose Clamp	No. 10
5	9001498	Water Hose	Sold per meter
6	9001495	Hose Clamp	
7	223/00173/10	Pressure Switch Hose Tee	
8	9001542	Pressure Switch Elbow	Models HX18PVQM6, HX18PVQM7, HX18PVXM6, HX18PVXM7, HX35PVQM6, HX35PVQM7, HX35PVXM6, HX35PVXM7, SX18PVQM6, SX18PVQM7, SX18PVXM6, SX18PVXM7, SX35PVQM6, SX35PVQM7, SX35PVXM6, SX35PVXM7, UX18PVNA6, UX18PVNA7, UX18PVPA6, UX18PVPA7, UX18PVQA6, UX18PVQA7, UX18PVQM6, UX18PVQM7, UX18PVXA6, UX18PVXA7, UX18PVXM6, UX18PVXM7, UX35PVNA6, UX35PVNA7, UX35PVPA6, UX35PVPA7, UX35PVQA6, UX35PVQA7, UX35PVQM6, UX35PVQM7, UX35PVXA6, UX35PVXA7, UX35PVXM6 and UX35PVXM7
	223/00333/00	Pressure Hose	Models HX25PVQM6, HX25PVQM7, HX25PVXM6, HX25PVXM7, SX25PVQM6, SX25PVQM7, SX25PVXM6, SX25PVXM7, UX25PVNA6, UX25PVNA7, UX25PVPA6, UX25PVPA7, UX25PVQA6, UX25PVQA7, UX25PVQM6, UX25PVQM7, UX25PVXA6, UX25PVXA7, UX25PVXM6 and UX25PVXM7
9	9001496	Hose Barb	
10	9001492	Hose Clamp	
11	9002085	Tub to Drain Valve Hose	
12	9001494	Hose Clamp	
13	9002083	Drain Valve	
14	9002097	Drain Valve to Pipe Hose	
15	9001311	Nut	
16	9001037	Outlet Pipe Plate Assembly	
17	9001214	Washer	
18	9001295	Bolt	
19	9001945	Drain Pipe	
20	9001527	Overflow Hose	

# Dual Drain Assembly

Models HX035PVQM7, HX035PVXM7, HX35PVQM6, HX35PVQM7, HX35PVQU6, HX35PVXM6, HX35PVXM7, HX35PVXU6, SX035PVNM7, SX035PVQM7, SX035PVXM7, SX35PVNM7, SX35PVQM6, SX35PVQM7, SX35PVQU6, SX35PVXM6, SX35PVXM7, SX35PVXU6, UX035PVNA7, UX035PVPA7, UX035PVQA7, UX035PVQM7, UX035PVXA7, UX035PVXM7, UX35PVNA6, UX35PVNA7, UX35PVNU6, UX35PVPA6, UX35PVPA7, UX35PVPU6, UX35PVQA6, UX35PVQA7, UX35PVQM6, UX35PVQM7, UX35PVQU6, UX35PVXA6, UX35PVXA7, UX35PVXM6, UX35PVXM7 and UX35PVXU6

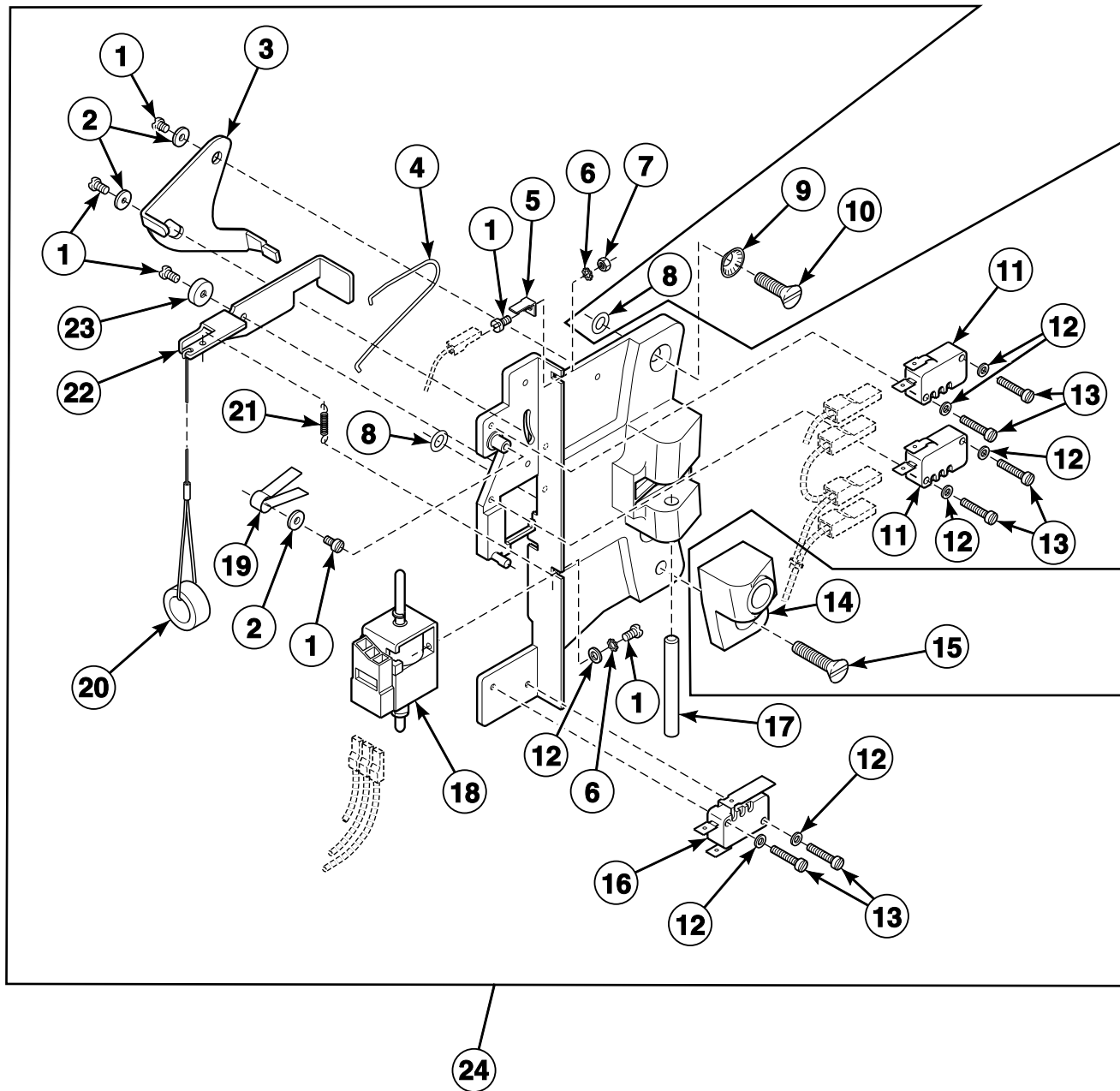


CFD113P\_9001004

## Dual Drain Assembly

REF	PART NO.	DESCRIPTION	COMMENTS
	900/00116/00	Drain Valve Harness	
1	223/00130/00	Overflow Hose	
2	9001494	Hose Clamp	
3	9001273	Bolt	
4	9001037	Outlet Pipe Plate Assembly	
5	9001241	Washer	
6	9001260	Nut	
7	9001518	Drain Pipe	
8	9001502	Hose Clamp	
9	9001526	Drain Valve to Drain Pipe Hose	
10	9001503	Drain Valve Overflow Plug	
11	9001493	Hose Clamp	
12	9001099	Drain Valve Plate Assembly	
13	9001518	Drain Pipe	
14	9001287	Bolt	
15	9001240	Washer	
16	9001260	Nut	
17	9001526	Drain Valve to Drain Pipe Hose	
18	9001502	Hose Clamp	
19	9001503	Drain Valve Overflow Plug	
20	9001493	Hose Clamp	
21	9001227	Washer	
22	9001361	Drain Valve	
23	9001099	Drain Valve Plate Assembly	
24	253/00006/00	T-Piece	
25	223/00170/00	Exhaust Valve Hose	
26	9001287	Bolt	
27	9001240	Washer	
28	9001355	Drain Valve	
29	9001227	Washer	
30	9001249	Nut	

# Door Lock



CFD128P\_9001004

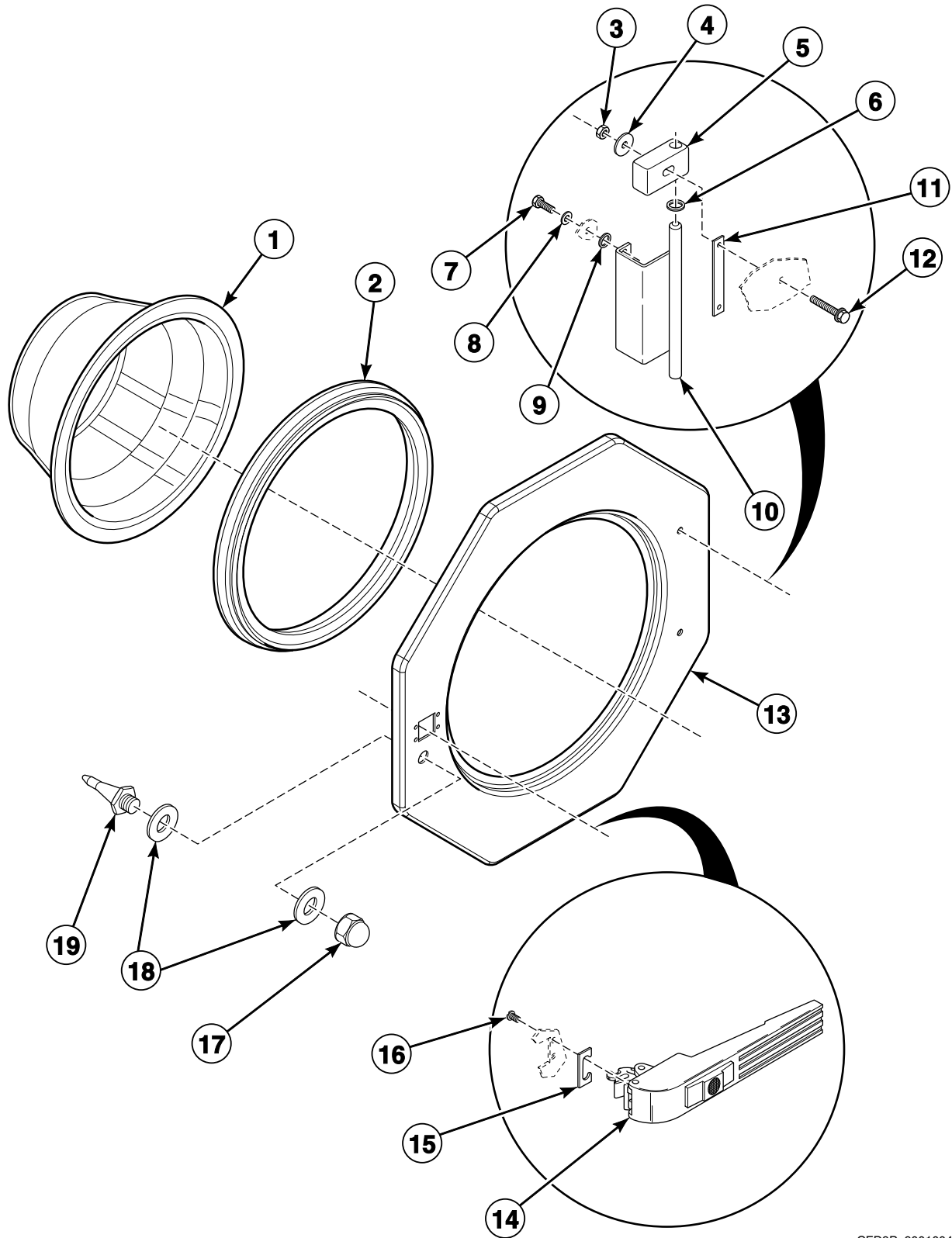


# Door Lock

REF	PART NO.	DESCRIPTION	COMMENTS
	210/01064/10	Wire Harness	From main control to connector
	9001985	Door Lock Harness	From connector to door lock
1	207/00135/00	Screw	
2	9001221	Washer	
3	9001479	Switch Lever	
4	9001553	Lever Spring	
5	9001419	Ground Terminal	
6	9001244	Washer	
7	9001253	Nut	
8	9001469	O-Ring	
9	9001246	Washer	
10	207/00112/00	Screw	
11	9001371	Door Lock Microswitch	
12	9001222	Washer	
13	9001324	Screw	
14	9001997	Door Lock Pin and Pivot Block Kit	Includes door lock pin
15	9001333	Screw	
16	9001372	Light Microswitch	
17	9001468	Lock Shaft	
18	C000184P	Door Lock Solenoid	
19	9001558	Door Lock Spring	
20	9001950	Door Release Wire	
21	9001554	Interlock Coil Spring	
22	9001478	Interlock Lever	
23	9001477	Door Lock Spacer	
24	9001885	Door Lock Assembly	Includes items 1-7, 11-13 and 16-23

# Door (Drawing 1 of 3)

Design 6 Models



CFD9P\_9001004

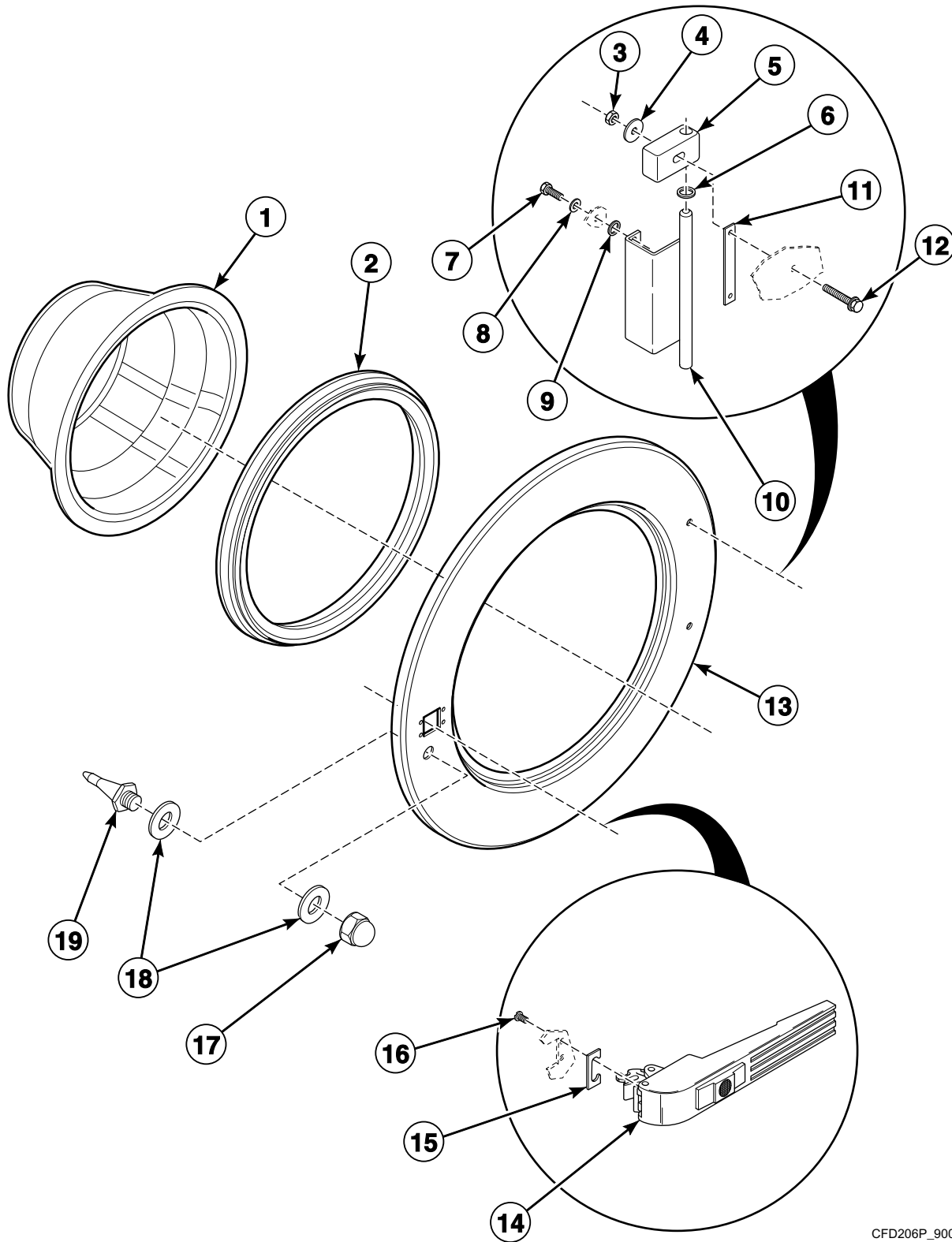
## Door (Drawing 1 of 3)

REF	PART NO.	DESCRIPTION	COMMENTS
1	217/00023/00	Door Glass	
2	9001466	Door Glass Seal	
3	9001260	Nut	
4	9001235	Washer	
5	9001465	Door Hinge Assembly	
6	9001232	Washer	
7	9001274	Bolt	
8	9001230	Washer	
9	9001469	O-Ring	
10	9001485	Hinge	
11	9001033	Door Hinge Spacer	1 mm
	9001034	Door Hinge Spacer	2 mm
12	N/A	Bolt	M6 x 25
	9001341	Screw	M6 x 35
13	9001066	Front Panel	
14	217/00065/00	Door Handle	
15	9001467	Door Handle Stop	
16	9001326	Screw	
17	9001258	Nut	
18	202/00111/00	Washer	
19	9001997	Door Lock Pin and Pivot Block Kit	Includes door lock pivot lock

**N/A = Part no longer available**

# Door (Drawing 2 of 3)

Design 7 Models Through 9/30/07



CFD206P\_9001004

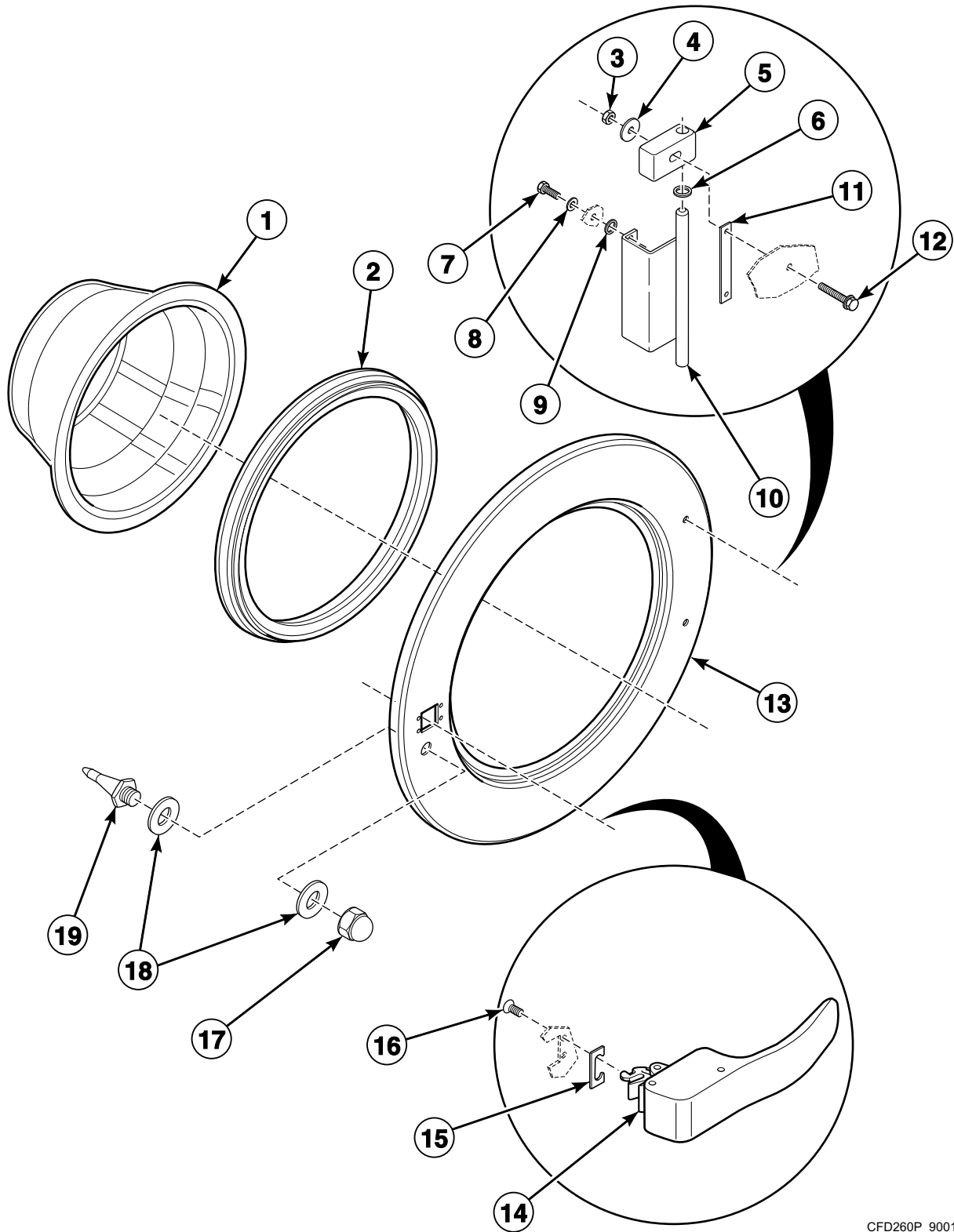
## Door (Drawing 2 of 3)

REF	PART NO.	DESCRIPTION	COMMENTS
1	217/00023/00	Door Glass	
2	9001466	Door Glass Seal	
3	9001260	Nut	
4	9001235	Washer	
5	9001465	Door Hinge Assembly	
6	9001232	Washer	
7	9001274	Bolt	
8	9001230	Washer	
9	9001469	O-Ring	
10	9001485	Hinge	
11	9001033	Door Hinge Spacer	1 mm
	9001034	Door Hinge Spacer	2 mm
12	N/A	Bolt	M6 x 25
	9001341	Screw	M6 x 35
13	118/00046/10	Door Frame	
14	217/00065/00	Door Handle	
15	9001467	Door Handle Stop	
16	9001326	Screw	
17	9001258	Nut	
18	202/00111/00	Washer	
19	9001997	Door Lock Pin and Pivot Block Kit	Includes door lock pivot lock

**N/A = Part no longer available**

# Door (Drawing 3 of 3)

Design 7 Models Starting 10/1/07



CFD260P\_9001004

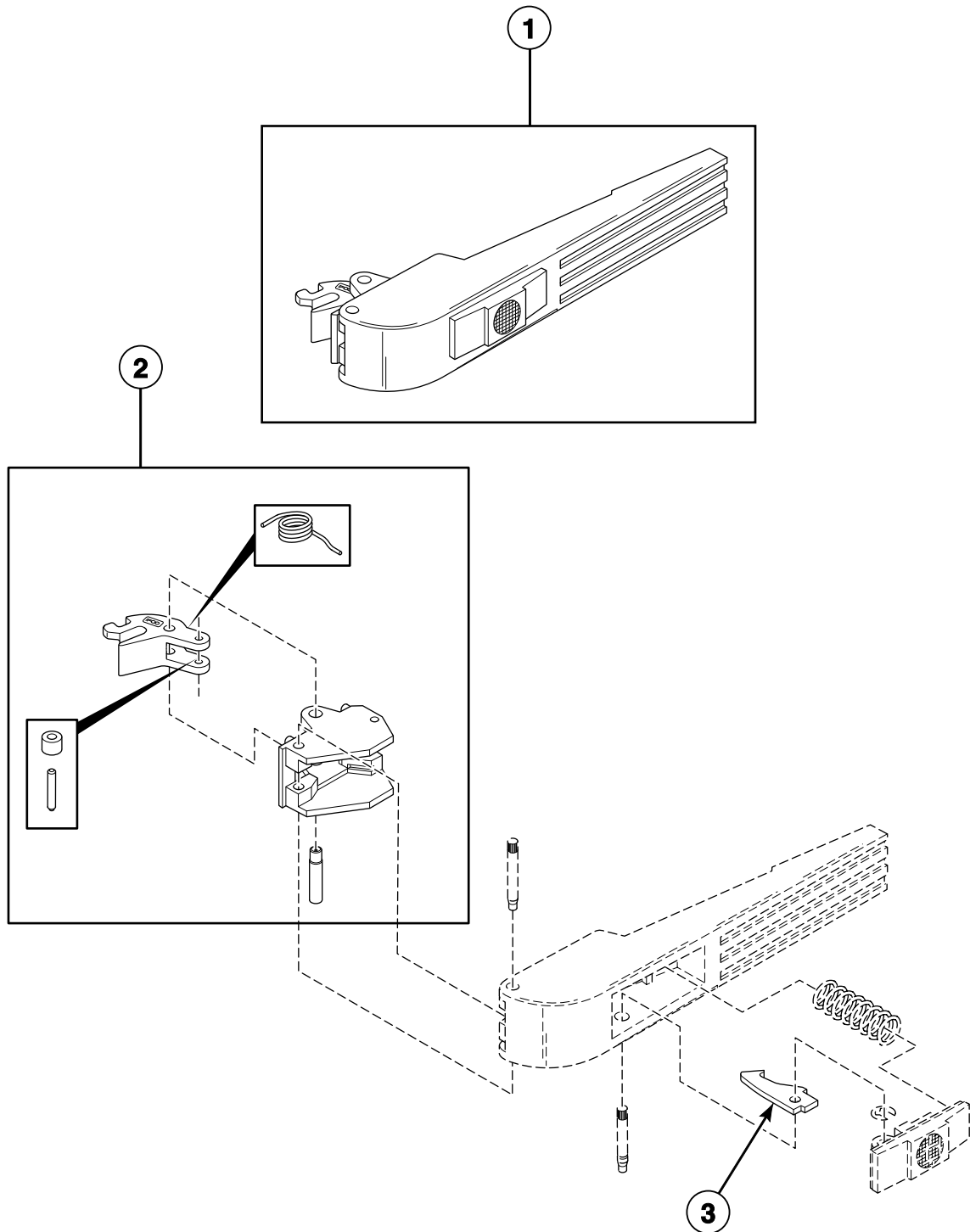
## Door (Drawing 3 of 3)

REF	PART NO.	DESCRIPTION	COMMENTS
1	217/00023/00	Door Glass	
2	9001466	Door Glass Seal	
3	9001260	Nut	
4	9001235	Washer	
5	9001465	Door Hinge Assembly	
6	9001232	Washer	
7	9001274	Bolt	
8	9001230	Washer	
9	9001469	O-Ring	
10	9001485	Hinge	
11	9001033	Door Hinge Spacer	1 mm
	9001034	Door Hinge Spacer	2 mm
12	N/A	Bolt	M6 x 25
	9001341	Screw	M6 x 35
13	118/00046/10	Door Frame	
14	217/00065/00	Door Handle	
15	9001467	Door Handle Stop	
16	B12500801	Screw	
17	9001258	Nut	
18	202/00111/00	Washer	
19	9001997	Door Lock Pin and Pivot Block Kit	Includes door lock pivot lock

**N/A = Part no longer available**

# Door Handle

Models Through 9/30/07



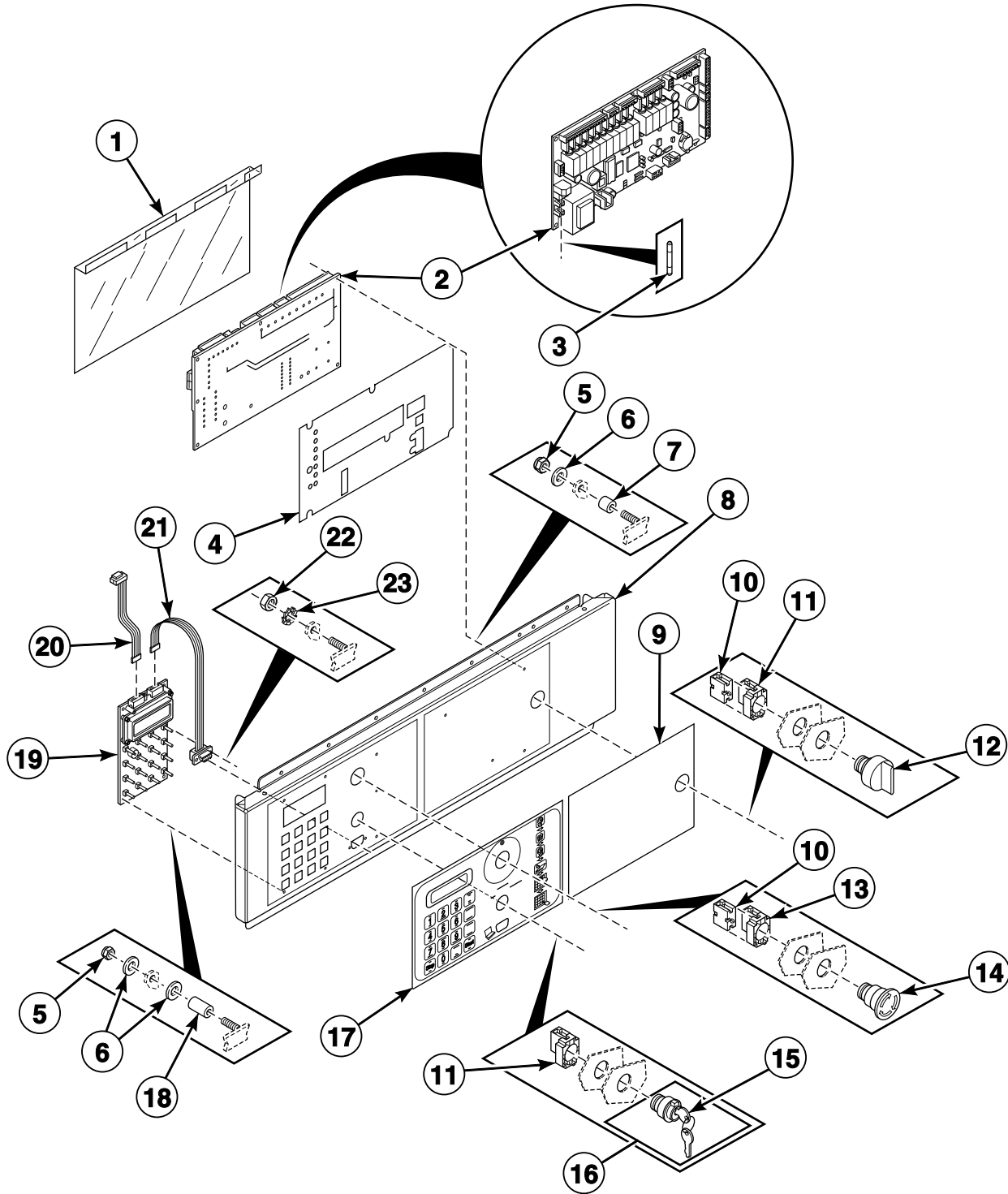
CFD10P\_9001004



# Door Handle

REF	PART NO.	DESCRIPTION	COMMENTS
1	217/00065/00	Door Handle	
2	9001474	Door Handle Latch	
3	9001473	Door Handle Catch	

# Control Panel



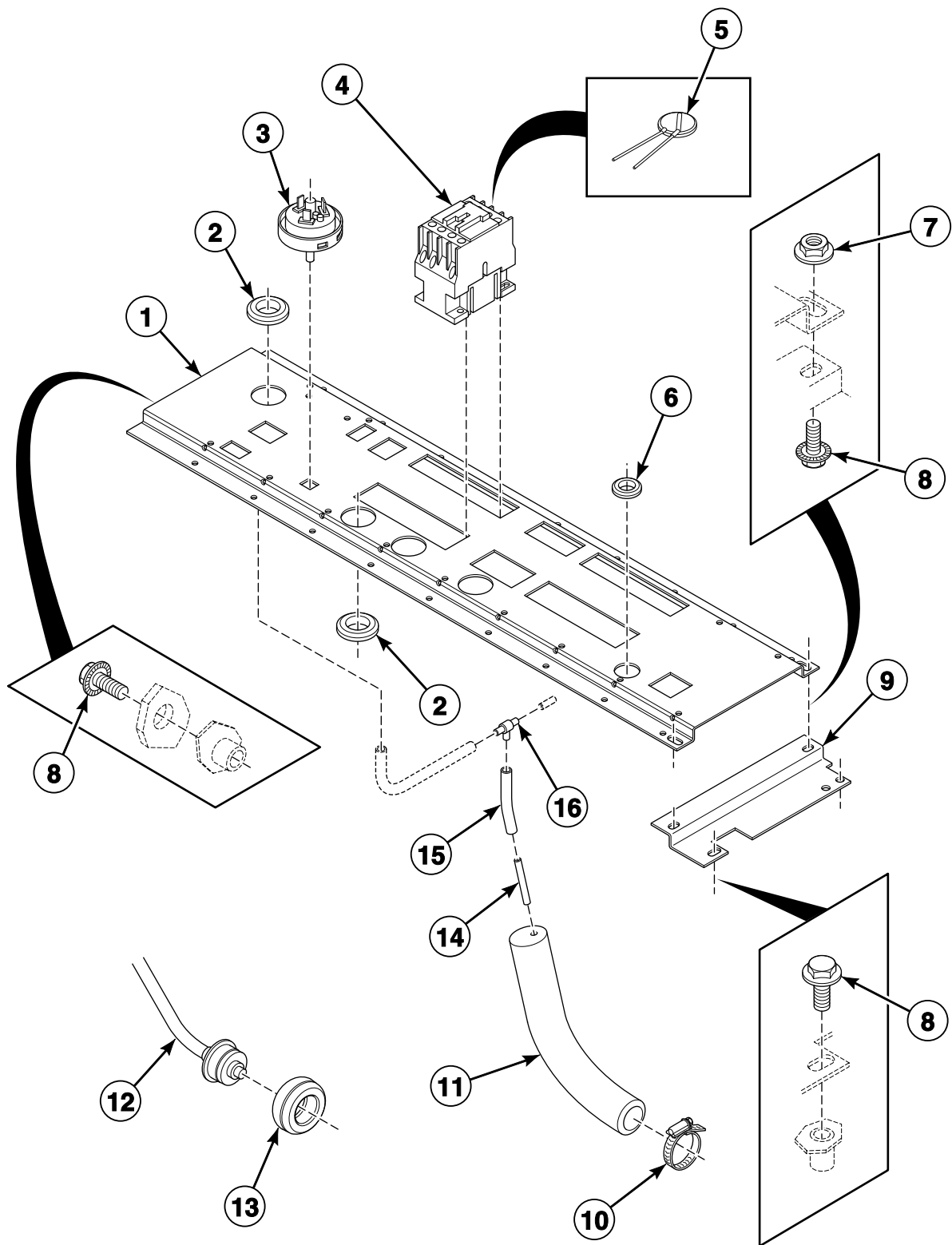
CFD188P\_9001004

# Control Panel

REF	PART NO.	DESCRIPTION	COMMENTS
1	229/00289/00	Circuit Board Cover	
2	9002100	Main Control	
	210/01304/07	Soap Harness	Connects the main control to the soap board
3	9001379	Fuse	
4	229/00255/00	Insulating Sticker	
5	9001269	Nut	
6	9001523	Washer	
7	9001425	Spacer	
8	9001049	Control Panel	18 and 25 pound models
	9001050	Control Panel	35 pound models
9	F8435601	Overlay	UX models
	9001563	Overlay	SX models
	9001890	Logo Decal	HX models
10	44018901	Contact Block	
11	9001356	Switch Base	
12	9002072	Switch Knob	Steam and electric heat models
13	44018701	Contact Block	
14	44018801	Pushbutton	
15	9001756	Programming Key	Key code 455
16	9001378	Programming Key Contact Switch	Includes item 15
17	F9001561	Overlay	Control
18	9001659	Spacer	
19	209/00580/03	Display	
20	9001417	Flat Cable	
21	9001418	Programming Cable	
22	9001253	Nut	
23	9001244	Washer	

# Control Module (Drawing 1 of 2)

Models HX18PVQU6, HX18PVXU6, HX25PVQU6, HX25PVXU6, HX35PVQU6, HX35PVXU6, SX18PVQU6, SX18PVXU6, SX25PVQU6, SX25PVXU6, SX35PVQU6, SX35PVXU6, UX18PVNU6, UX18PVPU6, UX18PVQU6, UX18PVXU6, UX25PVNU6, UX25PVPU6, UX25PVQU6, UX25PVXU6, UX35PVNU6, UX35PVPU6, UX35PVQU6 and UX35PVXU6



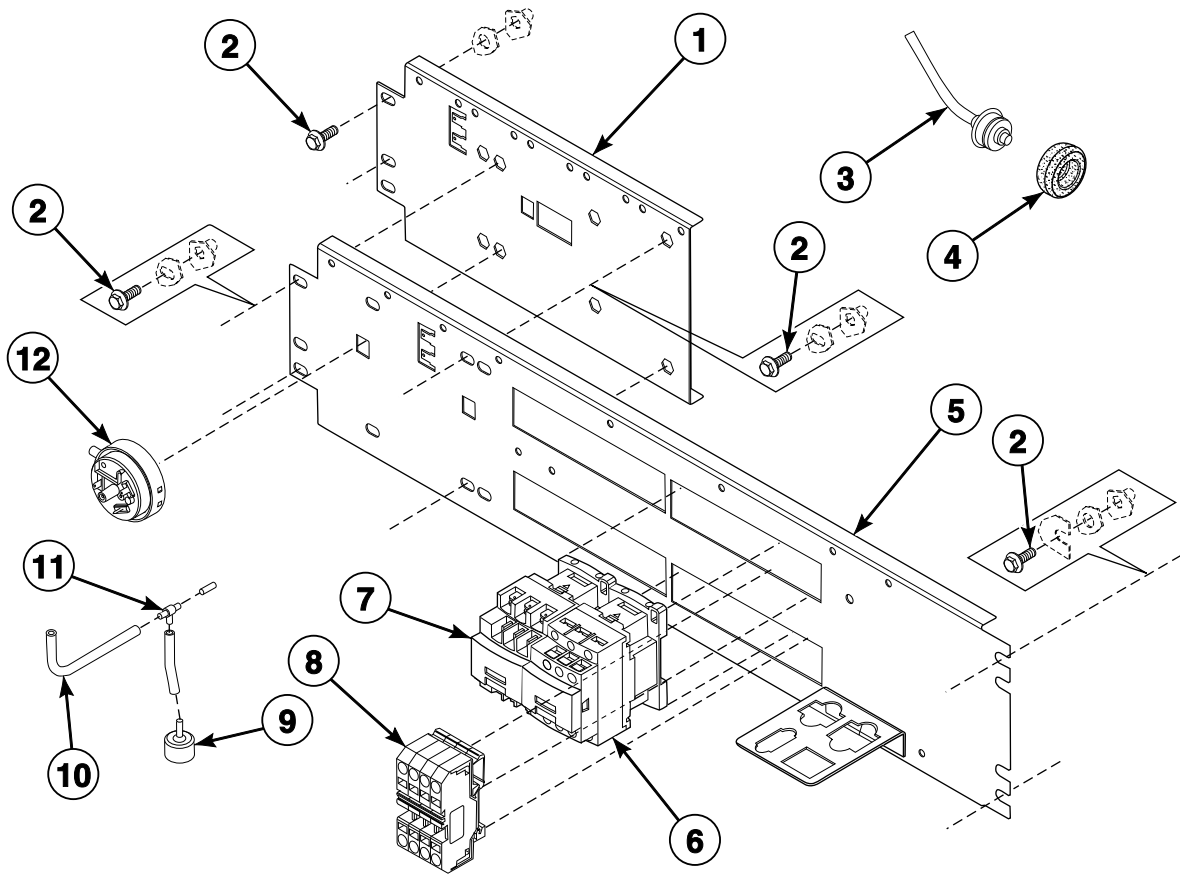
CFD108P\_9001004

## Control Module (Drawing 1 of 2)

REF	PART NO.	DESCRIPTION	COMMENTS
1	9001052	Electrical Component Plate	Models HX18PVQU6, HX18PVXU6, SX18PVQU6, SX18PVXU6, UX18PVNU6, UX18PVPU6, UX18PVQU6 and UX18PVXU6
	9001039	Electrical Plate Assembly	Models HX25PVQU6, HX25PVXU6, SX25PVQU6, SX25PVXU6, UX25PVNU6, UX25PVPU6, UX25PVQU6 and UX25PVXU6
	9001047	Electrical Component Plate	Models HX35PVQU6, HX35PVXU6, SX35PVQU6, SX35PVXU6, UX35PVNU6, UX35PVPU6, UX35PVQU6 and UX35PVXU6
2	9001539	Grommet	
3	9001351	Pressure Switch	
4	9002066	Contactora	LC1D1810M7; Heating
	9001352	Contactora	LC1D0901M7; Heating
5	9001746	Noise Suppressor	Models HX18PVQU6, HX18PVXU6, HX25PVQU6, HX25PVXU6, SX18PVQU6, SX18PVXU6, SX25PVQU6, SX25PVXU6, UX18PVNU6, UX18PVPU6, UX18PVQU6, UX18PVXU6, UX25PVNU6, UX25PVPU6, UX25PVQU6 and UX25PVXU6
6	9001530	Grommet	
7	9001311	Nut	
8	9001310	Bolt	
9	9001048	Electrical Component Plate Extension	
10	9001492	Hose Clamp	
11	9001542	Pressure Switch Elbow	
12	9001660	Thermostat	
13	9001564	Thermostat Seal	
14	9001496	Hose Barb	
15	223/00333/00	Pressure Hose	
16	223/00173/10	Pressure Switch Hose Tee	

## Control Module (Drawing 2 of 2)

All Models Except HX18PVQU6, HX18PVXU6, HX25PVQU6, HX25PVXU6, HX35PVQU6, HX35PVXU6, SX18PVQU6, SX18PVXU6, SX25PVQU6, SX25PVXU6, SX35PVQU6, SX35PVXU6, UX18PVNU6, UX18PVPU6, UX18PVQU6, UX18PVXU6, UX25PVNU6, UX25PVPU6, UX25PVQU6, UX25PVXU6, UX35PVNU6, UX35PVPU6, UX35PVQU6 and UX35PVXU6



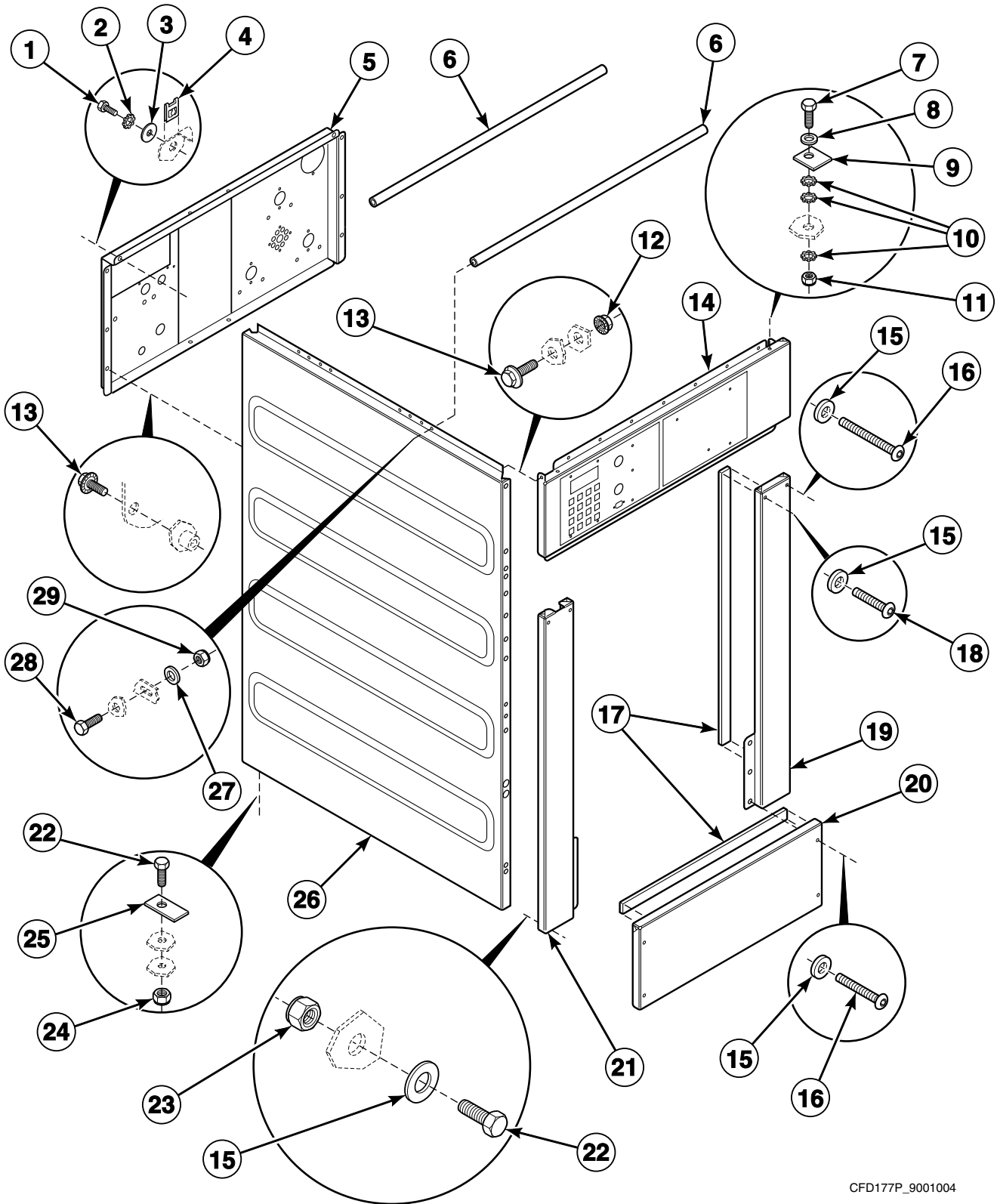
CFD147P\_9001004

## Control Module (Drawing 2 of 2)

REF	PART NO.	DESCRIPTION	COMMENTS
1	9001958	Electrical Component Mounting Plate	
2	9001310	Bolt	
3	9001669	Thermostat	
4	9001564	Thermostat Seal	
5	9001959	Electrical Component Mounting Plate	
	9001960	Support Connector	
6	9002066	Contactator	Heating
7	9001352	Contactator	Heating
8	9002021	Overload Contactator	2006-1201
	9002022	Overload Contactator	2006-1204
	9002023	Overload Contactator	2006-1304
	9002024	Overload Contactator	2006-1301
	9002025	Overload Contactator	2010-1201
	9002026	Overload Contactator	2010-1204
	9002027	Overload Contactator	2010-1301
9	9001932	Pressure Switch Cap	
10	223/00333/00	Pressure Hose	
11	223/00173/10	Pressure Switch Hose Tee	
12	209/00027/10	Pressure Switch	

# Front, Left Side and Upper Back Panels (Drawing 1 of 2)

Models HX18PVQU6, HX18PVXU6, HX25PVQU6, HX25PVXU6, HX35PVQU6, HX35PVXU6, SX18PVQU6, SX18PVXU6, SX25PVQU6, SX25PVXU6, SX35PVQU6, SX35PVXU6, UX18PVNU6, UX18PVPU6, UX18PVQU6, UX18PVXU6, UX25PVNU6, UX25PVPU6, UX25PVQU6, UX25PVXU6, UX35PVNU6, UX35PVPU6, UX35PVQU6 and UX35PVXU6



CFD177P\_9001004

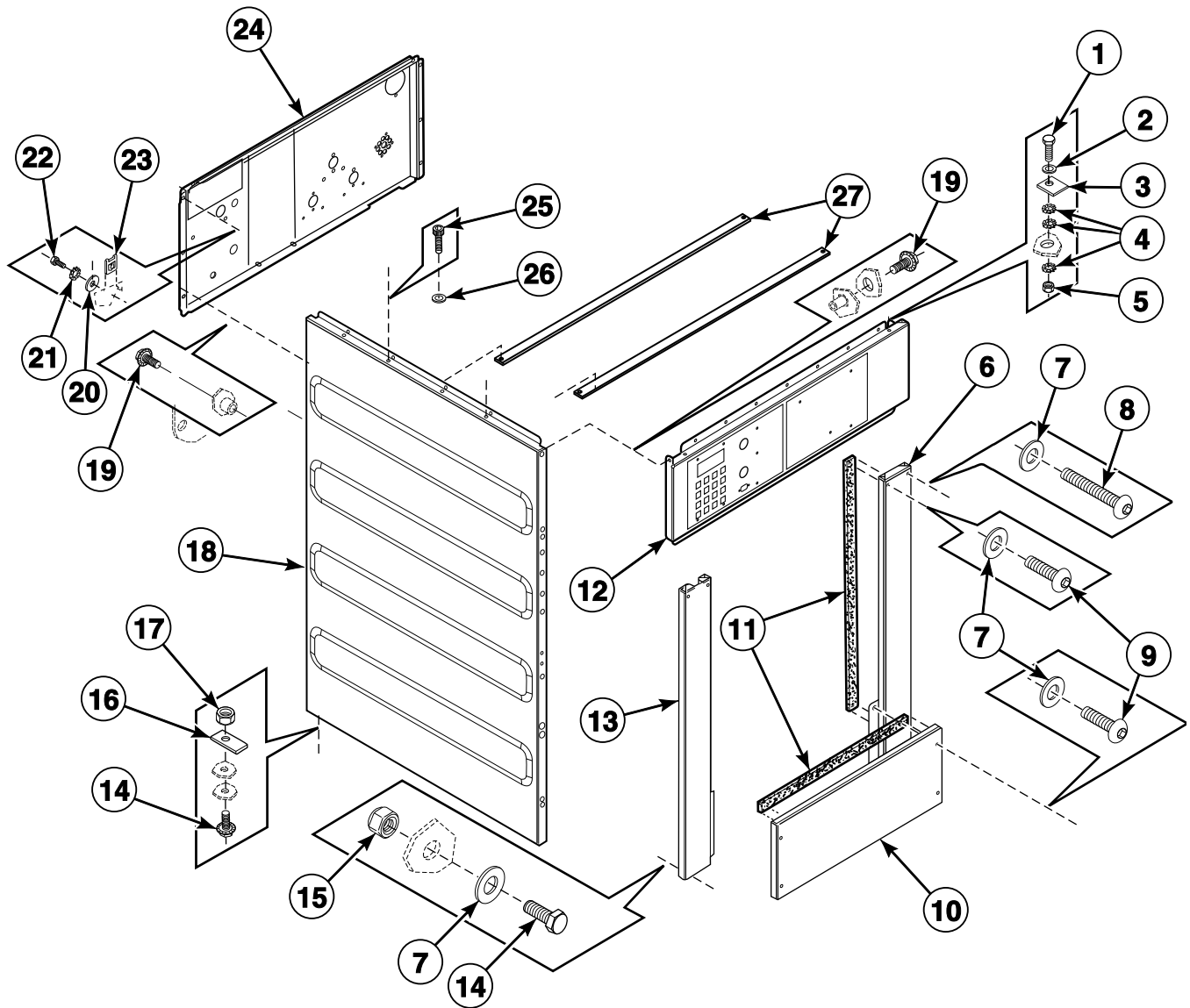


## Front, Left Side and Upper Back Panels (Drawing 1 of 2)

REF	PART NO.	DESCRIPTION	COMMENTS
1	9001343	Screw	
2	9001247	Washer	
3	9001213	Washer	
4	9001347	Nut	
5	9001081	Backbridge	18 and 25 pound models
	9001063	Backbridge	35 pound models
6	9001992	Crossbar	18 and 25 pound models
	9001908	Crossbar	35 pound models
7	9001276	Bolt	
8	9001228	Washer	
9	9001036	Bearing Retainer Ring	
10	9001242	Washer	
11	9001251	Nut	
12	9001311	Nut	
13	9001310	Bolt	
14	9001049	Control Panel	18 and 25 pound models
	9001050	Control Panel	35 pound models
15	9001236	Washer	
16	9001661	Screw	
17	9001608	Gasket	
18	9001662	Screw	
19	9001078	Rear Right Panel	18 and 25 pound models
	9001692	Right Front Panel	35 pound models
20	9001083	Kickplate	18 and 25 pound models
	9001693	Kickplate	35 pound models
21	9001077	Front Left Panel	18 and 25 pound models
	9001694	Left Front Panel	35 pound models
22	9001274	Bolt	
23	9001260	Nut	35 pound models
24	9001254	Nut	
25	9001037	Outlet Pipe Plate Assembly	
26	9001070	Side Panel	18 pound models
	9001069	Side Panel	25 pound models
	9001086	Side Panel	35 pound models
27	9001229	Washer	
28	9001993	Screw	18 and 25 pound models
	9001292	Bolt	35 pound models
29	9001267	Nut	

## Front, Left Side and Upper Back Panels (Drawing 2 of 2)

All Models Except HX18PVQU6, HX18PVXU6, HX25PVQU6, HX25PVXU6, HX35PVQU6, HX35PVXU6, SX18PVQU6, SX18PVXU6, SX25PVQU6, SX25PVXU6, SX35PVQU6, SX35PVXU6, UX18PVNU6, UX18PVPU6, UX18PVQU6, UX18PVXU6, UX25PVNU6, UX25PVPU6, UX25PVQU6, UX25PVXU6, UX35PVNU6, UX35PVPU6, UX35PVQU6 and UX35PVXU6



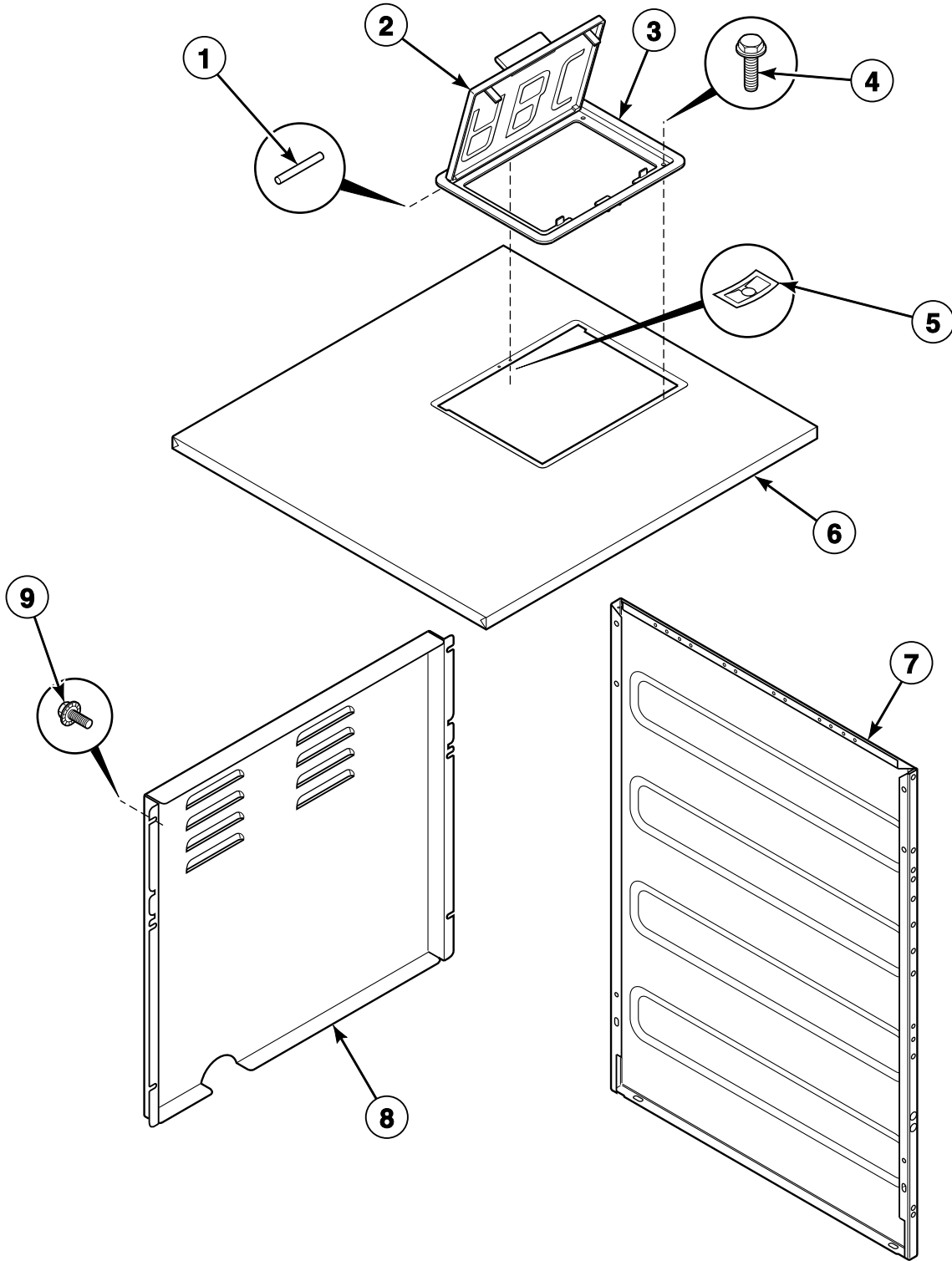
CFD497P\_9001004

## Front, Left Side and Upper Back Panels (Drawing 2 of 2)

REF	PART NO.	DESCRIPTION	COMMENTS
1	9001276	Bolt	
2	9001228	Washer	
3	9001036	Bearing Retainer Ring	
4	9001242	Washer	
5	9001251	Nut	
6	9002041	Right Front Panel	18 and 25 pound models
	9001692	Right Front Panel	35 pound models
7	9001236	Washer	
8	9001661	Screw	
9	9001662	Screw	
10	9002042	Kickplate	18 and 25 pound models
	9001693	Kickplate	35 pound models
11	9001608	Gasket	
12	9002043	Control Panel	
13	111/10089/00	Side Panel	18 pound models; Stainless steel
	111/60031/00	Side Panel	18 pound models; Black
	111/10089/60	Side Panel	18 pound models; Gray
	9002044	Left Front Panel	25 pound models
	9001694	Left Front Panel	35 pound models
14	9001274	Bolt	
15	9001260	Nut	
16	9001037	Outlet Pipe Plate Assembly	
17	9001254	Nut	
18	9002045	Side Panel	Left; 18 and 25 pound models
	9001086	Side Panel	Left; 35 pound models
19	9001310	Bolt	
20	9001213	Washer	
21	9001247	Washer	
22	9001984	Screw	
23	9001347	Nut	
24	9001081	Backbridge	18 and 25 pound models
	9002061	Backbridge	35 pound models
25	9002018	Screw	
26	B12421401	Washer	
27	9001992	Crossbar	18 and 25 pound models
	9002019	Soap Dispenser Crossbar	35 pound models

# Top, Right Side and Lower Back Panels (Drawing 1 of 2)

Models HX18PVQU6, HX18PVXU6, HX25PVQU6, HX25PVXU6, HX35PVQU6, HX35PVXU6, SX18PVQU6, SX18PVXU6, SX25PVQU6, SX25PVXU6, SX35PVQU6, SX35PVXU6, UX18PVNU6, UX18PVPU6, UX18PVQU6, UX18PVXU6, UX25PVNU6, UX25PVPU6, UX25PVQU6, UX25PVXU6, UX35PVNU6, UX35PVPU6, UX35PVQU6 and UX35PVXU6



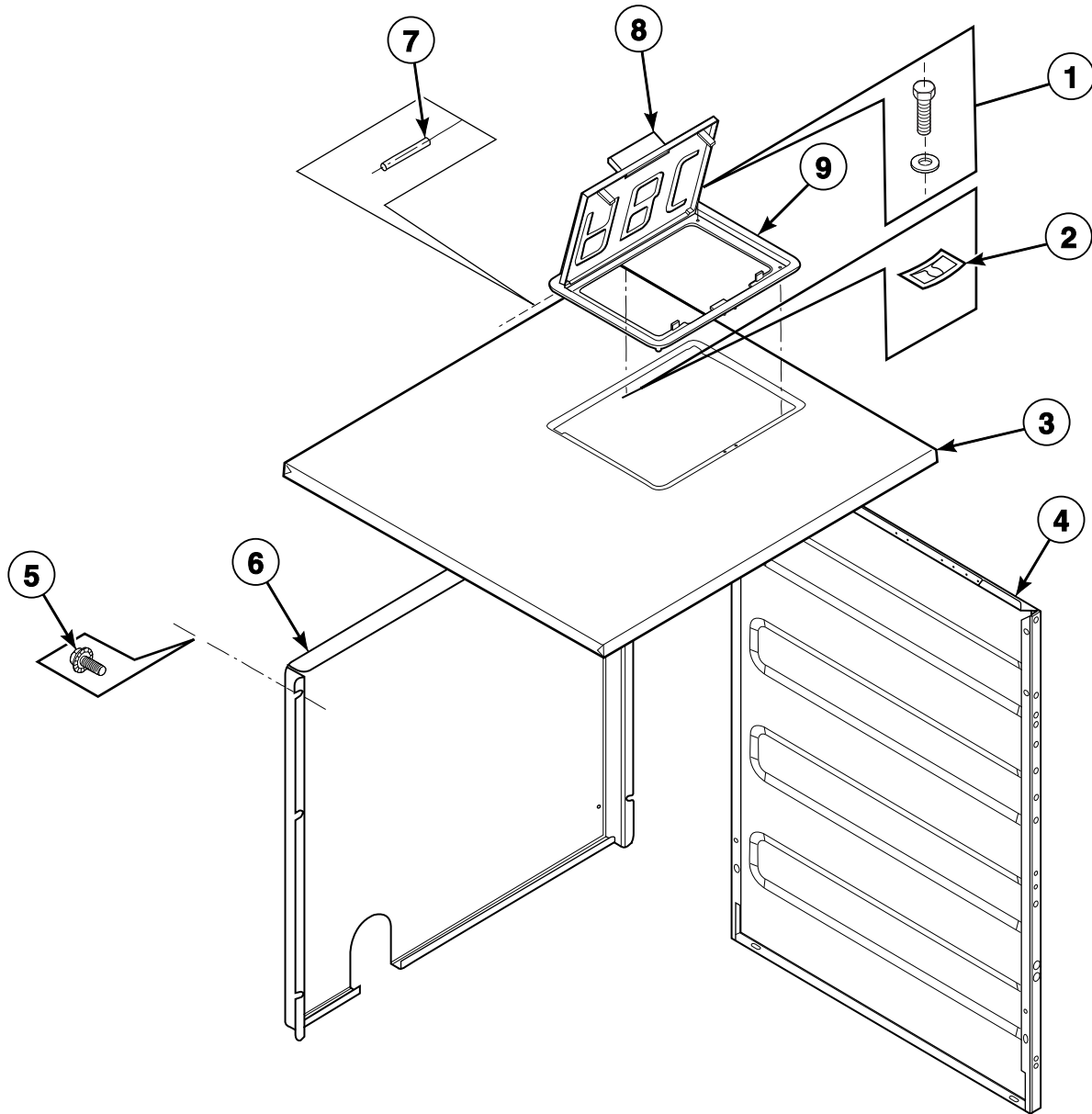
CFD14P\_9001004

## Top, Right Side and Lower Back Panels (Drawing 1 of 2)

REF	PART NO.	DESCRIPTION	COMMENTS
1	9001516	Soap Dispenser Cover Hinge Rod	
2	9001514	Soap Dispenser Cover	
3	9001515	Soap Dispenser Frame	
4	9001342	Bolt	
5	9001349	Nut	
6	9001084	Top Panel	Models HX18PVQU6, HX18PVXU6, SX18PVQU6, SX18PVXU6, UX18PVNU6, UX18PVPU6, UX18PVQU6 and UX18PVXU6
	9001085	Top Panel	Models HX25PVQU6, HX25PVXU6, SX25PVQU6, SX25PVXU6, UX25PVNU6, UX25PVPU6, UX25PVQU6 and UX25PVXU6
	111/22743/00	Top Panel	Models HX35PVQU6, HX35PVXU6, SX35PVQU6, SX35PVXU6, UX35PVNU6, UX35PVPU6, UX35PVQU6 and UX35PVXU6
7	9001070	Side Panel	Models HX18PVQU6, HX18PVXU6, SX18PVQU6, SX18PVXU6, UX18PVNU6, UX18PVPU6, UX18PVQU6 and UX18PVXU6
	9001069	Side Panel	Models HX25PVQU6, HX25PVXU6, SX25PVQU6, SX25PVXU6, UX25PVNU6, UX25PVPU6, UX25PVQU6 and UX25PVXU6
	9001086	Side Panel	Models HX35PVQU6, HX35PVXU6, SX35PVQU6, SX35PVXU6, UX35PVNU6, UX35PVPU6, UX35PVQU6 and UX35PVXU6
8	9001082	Rear Lower Panel	Models HX18PVQU6, HX18PVXU6, HX25PVQU6, HX25PVXU6, SX18PVQU6, SX18PVXU6, SX25PVQU6, SX25PVXU6, UX18PVNU6, UX18PVPU6, UX18PVQU6, UX18PVXU6, UX25PVNU6, UX25PVPU6, UX25PVQU6 and UX25PVXU6
	9001153	Back Panel	Models HX35PVQU6, HX35PVXU6, SX35PVQU6, SX35PVXU6, UX35PVNU6, UX35PVPU6, UX35PVQU6 and UX35PVXU6
9	9001310	Bolt	

## Top, Right Side and Lower Back Panels (Drawing 2 of 2)

All Models Except HX18PVQU6, HX18PVXU6, HX25PVQU6, HX25PVXU6, HX35PVQU6, HX35PVXU6, SX18PVQU6, SX18PVXU6, SX25PVQU6, SX25PVXU6, SX35PVQU6, SX35PVXU6, UX18PVNU6, UX18PVPU6, UX18PVQU6, UX18PVXU6, UX25PVNU6, UX25PVPU6, UX25PVQU6, UX25PVXU6, UX35PVNU6, UX35PVPU6, UX35PVQU6 and UX35PVXU6



CFD182P\_9001004

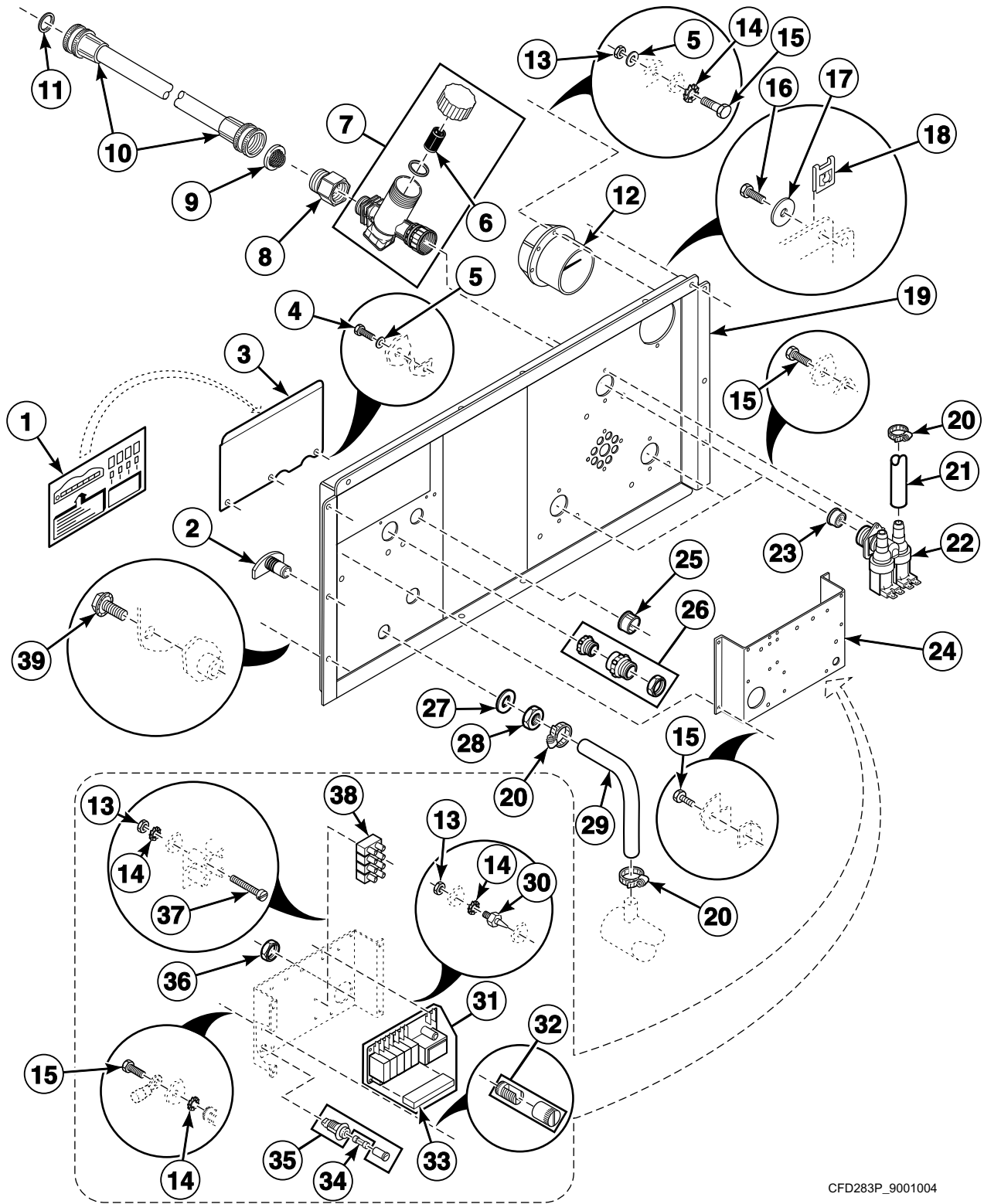
## Top, Right Side and Lower Back Panels (Drawing 2 of 2)

REF	PART NO.	DESCRIPTION	COMMENTS
1	N/A	Bolt	
2	9001349	Nut	
3	111/10089/00	Side Panel	18 pound models; Stainless steel
	111/60031/00	Side Panel	18 pound models; Black
	111/10089/60	Side Panel	18 pound models; Gray
	9001084	Top Panel	25 pound models
	111/22743/00	Top Panel	35 pound models
4	9001086	Side Panel	Right; 35 pound models
	9001069	Side Panel	18 and 25 pound models
5	9001310	Bolt	
6	9001153	Back Panel	35 pound models
	9001082	Rear Lower Panel	18 and 25 pound models
7	9001516	Soap Dispenser Cover Hinge Rod	
8	9001514	Soap Dispenser Cover	
9	9001515	Soap Dispenser Frame	

**N/A = Part no longer available**

# Upper Back Panel (Drawing 1 of 4)

Models HX18PVQU6, HX18PVXU6, HX25PVQU6, HX25PVXU6, HX35PVQU6, HX35PVXU6, SX18PVQU6, SX18PVXU6, SX25PVQU6, SX25PVXU6, SX35PVQU6, SX35PVXU6, UX18PVNU6, UX18PVPU6, UX18PVQU6, UX18PVXU6, UX25PVNU6, UX25PVPU6, UX25PVQU6, UX25PVXU6, UX35PVNU6, UX35PVPU6, UX35PVQU6 and UX35PVXU6



CFD283P\_9001004



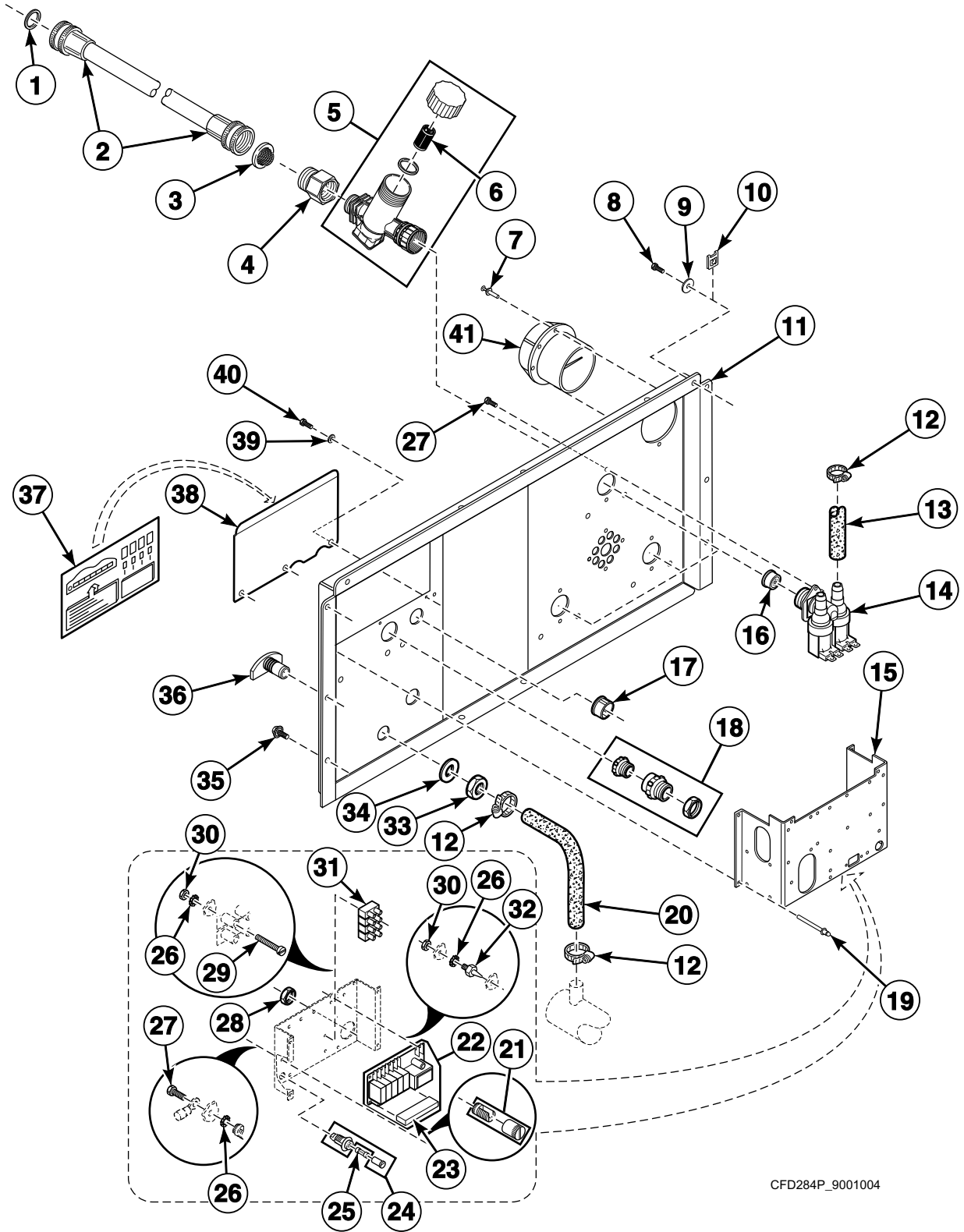
## Upper Back Panel (Drawing 1 of 4)

REF	PART NO.	DESCRIPTION	COMMENTS
1	9001594	Electrical Connection Sticker	
2	9001487	Prewash and Mainwash Nozzle	
3	9001040	Electrical Connection Plate	
4	9001291	Bolt	
5	9001229	Washer	
6	209/00385/01	Filter	
7	209/00385/00	Filter	
8	9001990	Water Valve Adapter	Converts from metric to standard thread
9	803615	Washer	
10	F200164	Water Hose	Standard thread
	F200166	Water Hose	Metric thread
11	20290	Washer	
12	9001510	Hose Vent	
13	9001252	Nut	
14	9001243	Washer	
15	9001292	Bolt	
16	9001343	Screw	
17	9001213	Washer	
18	9001344	Nut	
19	9001081	Backbridge	18 and 25 pound models
	9001063	Backbridge	35 pound models
20	F200205	Hose Clamp	No. 10
21	9001499	Water Hose	
22	209/00803/00	2-Way Inlet Valve	Standard thread; 3 used; Includes item 20; G581P3 Repair Kit
	9001747	Inlet Valve	Metric thread; 3 used; Includes item 20
23	F200052400	Inlet Valve Restrictor	Cold water valve
	223/00390/00	Flow Restrictor	Hot water valve
24	9001051	Electrical Connection Plate	
25	9001421	Plug	
26	9001433	Cordlock	M20
	9001434	Cordlock	M25
	9001435	Nut	M20
	9001436	Nut	M25
27	9001209	Washer	18 and 25 pound models
	N/A	Washer	35 pound models
28	9001270	Nut	
29	9001498	Water Hose	
30	9001429	Standoff	
31	9001366	Soap Injection PCB with Fuse	Includes item 33
32	9001350	Ground Terminal	
33	9001888	Connector	
34	9001384	Fuse	
35	9001364	Fuse Holder	
36	9001539	Grommet	
37	9001329	Screw	
38	9001354	Terminal Block	
39	9001310	Bolt	

**N/A = Part no longer available**

# Upper Back Panel (Drawing 2 of 4)

18 and 25 Pound Models with A or M in the 8th or 9th Position of the Model Number



CFD284P\_9001004

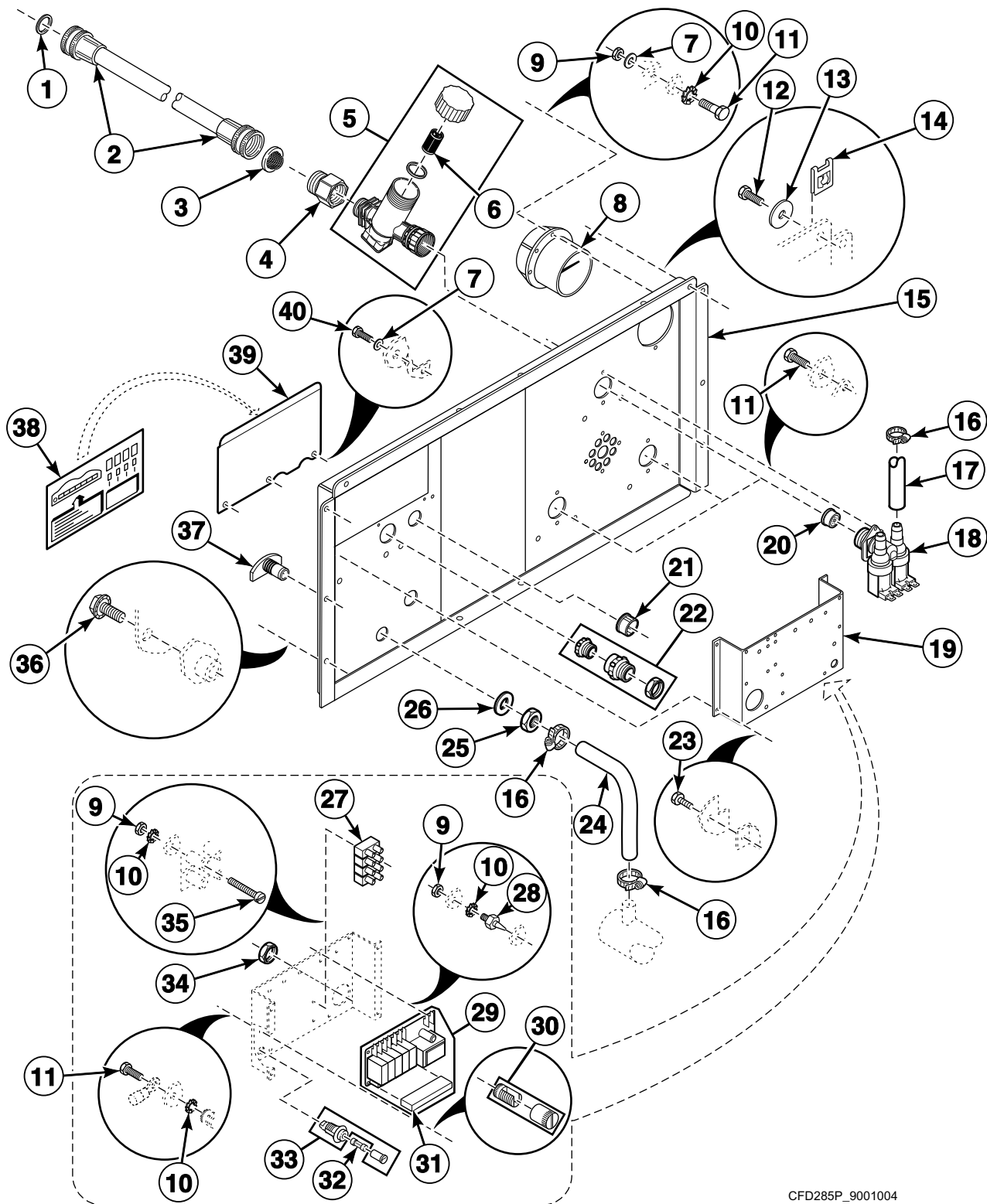
## Upper Back Panel (Drawing 2 of 4)

REF	PART NO.	DESCRIPTION	COMMENTS
1	20290	Washer	
2	F200164	Water Hose	Standard thread
	F200166	Water Hose	Metric thread
3	803615	Washer	
4	9001990	Water Valve Adapter	Converts from metric to standard thread
5	209/00385/00	Filter	
6	209/00385/01	Filter	
7	9001953	Rivet	
8	9001343	Screw	
9	9001213	Washer	
10	9001344	Nut	
11	9001081	Backbridge	
12	F200205	Hose Clamp	No. 10
13	9001499	Water Hose	
14	209/00803/00	2-Way Inlet Valve	Standard thread; 3 used; Includes item 12; G581P3 Repair Kit
	9001747	Inlet Valve	Metric thread; 3 used; Includes item 12
15	N/A	Electrical Connection Plate	
16	F200052400	Inlet Valve Restrictor	Cold water valve
	223/00390/00	Flow Restrictor	Hot water valve
17	9001421	Plug	
18	9001434	Cordlock	
19	9001346	Rivet	
20	9001498	Water Hose	
21	9001350	Ground Terminal	
22	9001366	Soap Injection PCB with Fuse	Includes item 23
23	9001888	Connector	
24	9001364	Fuse Holder	
25	9001384	Fuse	
26	9001243	Washer	
27	9001292	Bolt	
28	9001539	Grommet	
29	9001329	Screw	
30	9001252	Nut	
31	9001354	Terminal Block	
32	9001429	Standoff	
33	9001270	Nut	
34	9001209	Washer	
35	9001310	Bolt	
36	9001487	Prewash and Mainwash Nozzle	
37	9001594	Electrical Connection Sticker	
38	9001040	Electrical Connection Plate	
39	9001229	Washer	
40	9001291	Bolt	
41	9001510	Hose Vent	

N/A = Part no longer available

# Upper Back Panel (Drawing 3 of 4)

35 Pound Models with A or M in the 8th or 9th Position of the Model Number

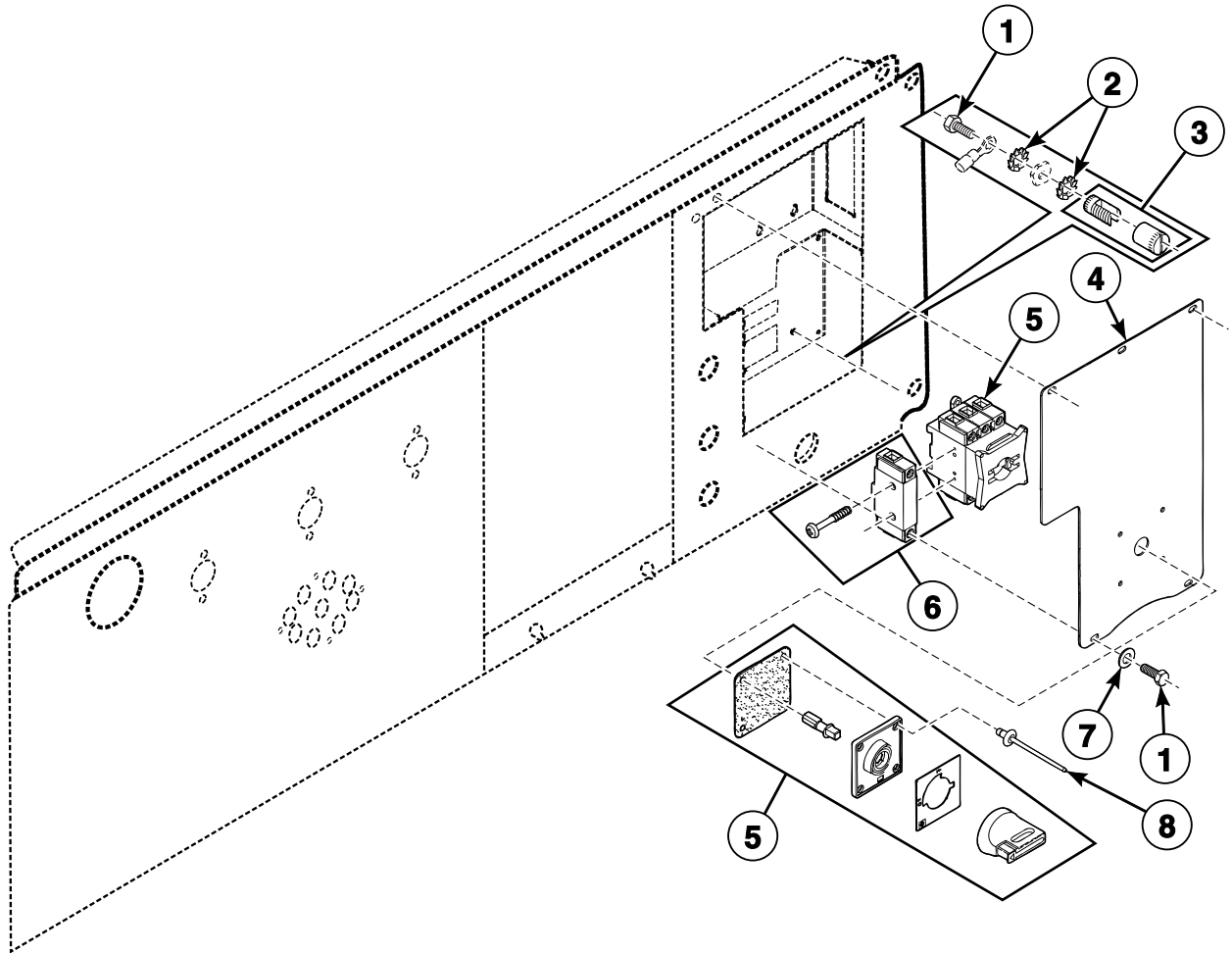


CFD285P\_9001004

## Upper Back Panel (Drawing 3 of 4)

REF	PART NO.	DESCRIPTION	COMMENTS
1	20290	Washer	
2	F200164	Water Hose	Standard thread
	F200166	Water Hose	Metric thread
3	803615	Washer	
4	9001990	Water Valve Adapter	Converts from metric to standard thread
5	209/00385/00	Filter	
6	209/00385/01	Filter	
7	9001229	Washer	
8	9001510	Hose Vent	
9	9001252	Nut	
10	9001243	Washer	
11	9001292	Bolt	
12	9001984	Screw	
13	9001213	Washer	
14	9001344	Nut	
15	9002061	Backbridge	
16	F200205	Hose Clamp	No. 10
17	9001499	Water Hose	
18	209/00803/00	2-Way Inlet Valve	Standard thread; 3 used; Includes item 16; G581P3 Repair Kit
	9001747	Inlet Valve	Metric thread; 3 used; Includes item 16
19	9001040	Electrical Connection Plate	
20	F200052400	Inlet Valve Restrictor	Cold water valve
	223/00390/00	Flow Restrictor	Hot water valve
21	9001421	Plug	
22	9001434	Cordlock	
23	9001346	Rivet	
24	9001498	Water Hose	
25	9001270	Nut	
26	9001209	Washer	
27	9001354	Terminal Block	
28	9001429	Standoff	
29	9001366	Soap Injection PCB with Fuse	Includes item 31
	M413867	Fuse	
30	9001350	Ground Terminal	
31	9001888	Connector	
32	9001384	Fuse	
33	9001364	Fuse Holder	
34	9001539	Grommet	
35	9001329	Screw	
36	9001310	Bolt	
37	9001487	Prewash and Mainwash Nozzle	
38	9001594	Electrical Connection Sticker	
39	9001040	Electrical Connection Plate	
40	9001291	Bolt	

# Upper Back Panel (Drawing 4 of 4)

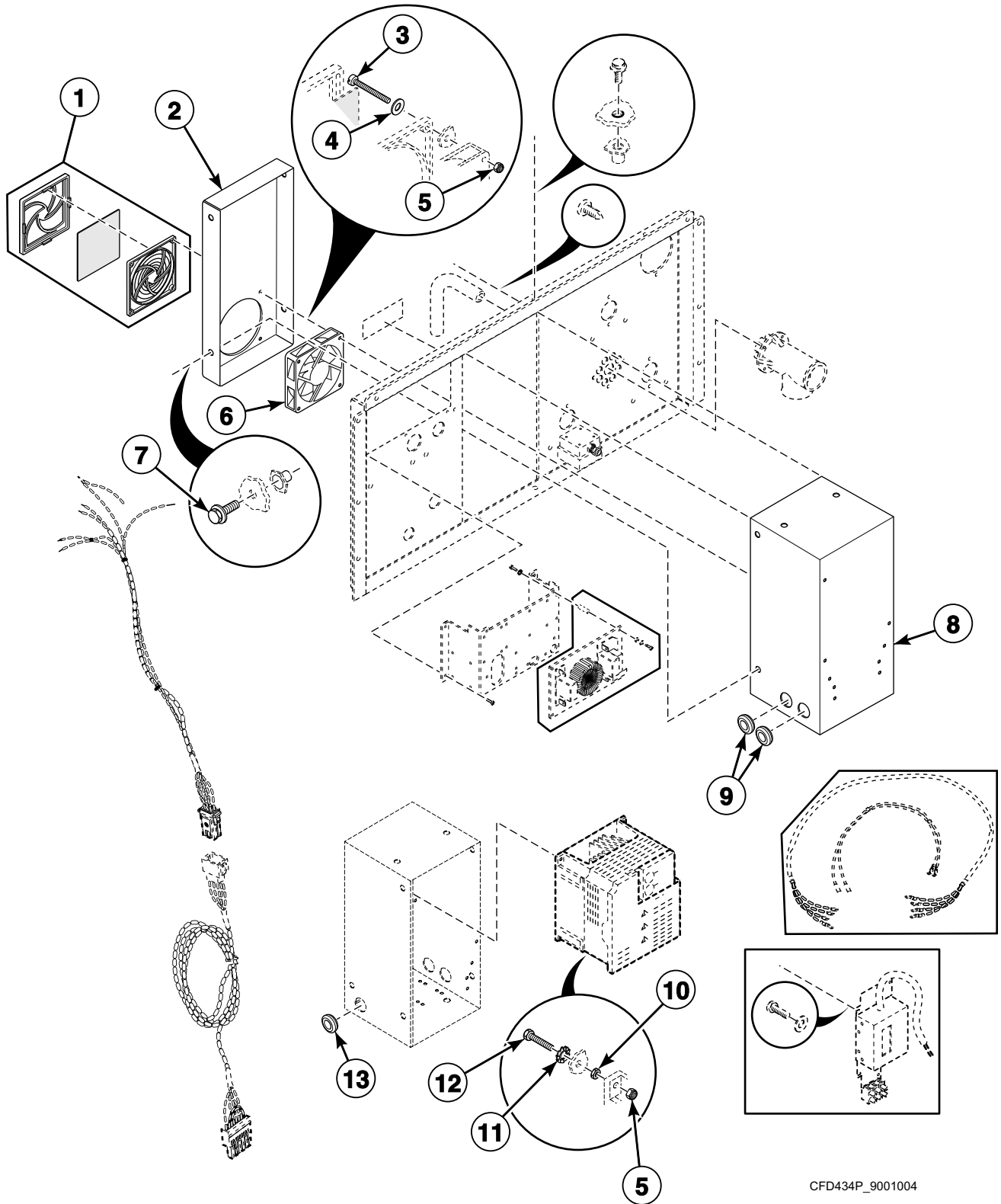


CFD350P\_9001004

## Upper Back Panel (Drawing 4 of 4)

REF	PART NO.	DESCRIPTION	COMMENTS
1	9001292	Bolt	
2	9001243	Washer	
3	9001350	Ground Terminal	
4	9002088	Main Switch Cover	
5	9001390	Main Switch	Standard and steam heat
	9002089	Main Switch	Electric heat; 40 A
	9001387	Main Switch	Electric heat; 80 A
6	9001391	Neutral Terminal Block	25 A VZ-11
	9001388	Neutral Terminal Block	63/80 A VZ-12
7	9001229	Washer	
8	9001346	Rivet	

# AC Drive Panel (Drawing 1 of 3)



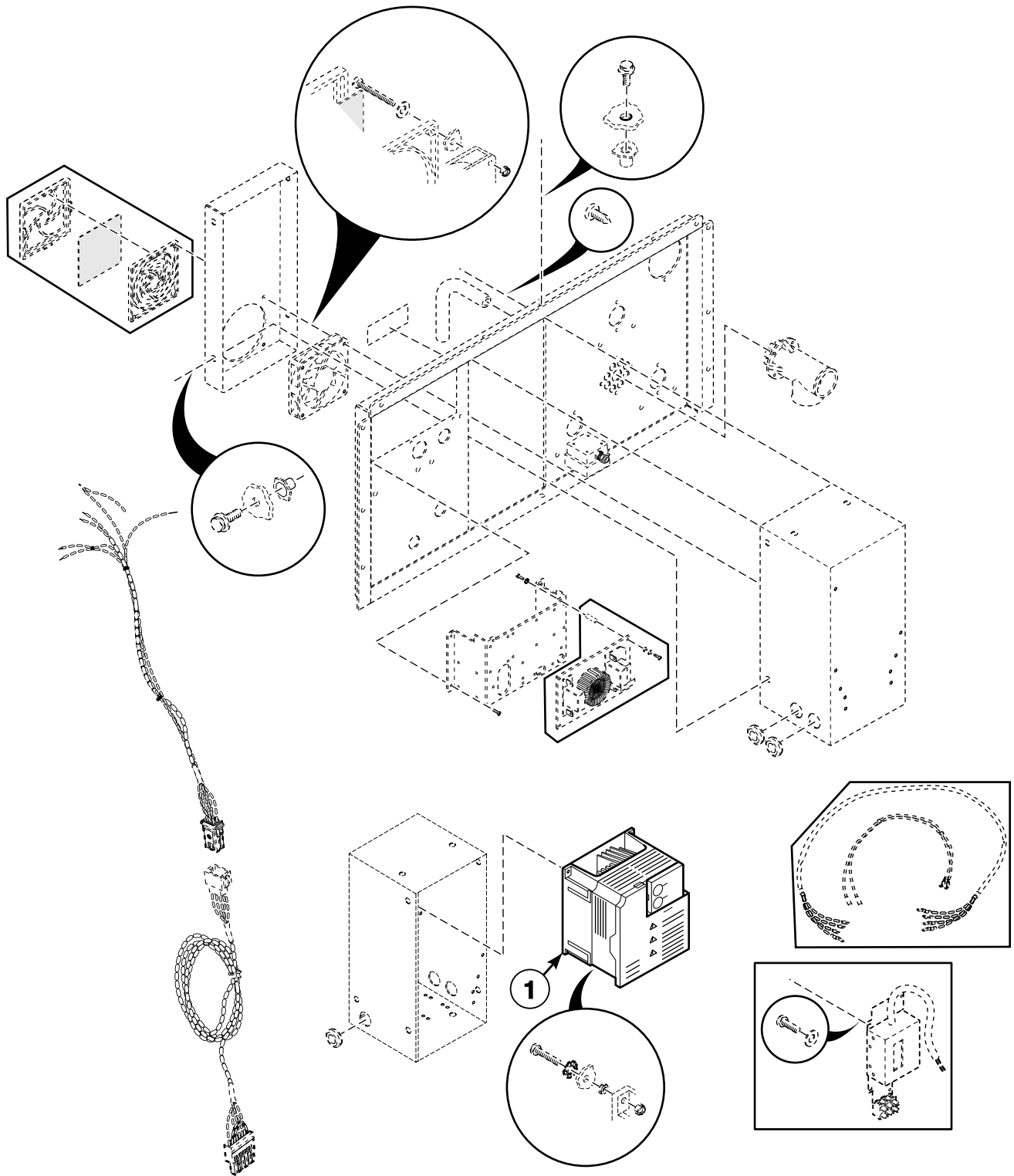
CFD434P\_9001004



## AC Drive Panel (Drawing 1 of 3)

REF	PART NO.	DESCRIPTION	COMMENTS
	9001011	Parameter Unit Assembly	Hand held; Includes 9001011 Parameter Unit Assembly and 9001895 Parameter Unit Program Cable
	F8410901	Parameter Unit Assembly	Mounts to inverter drive; Use with 500-series drives
<b>1</b>	9001383	Fan Grill	18 and 25 pound models; Models through 10/5/08
	9001382	Motor and Inverter Fan	18 and 25 pound models; Models starting 10/6/08
	9001376	Fan Grill	35 pound models; Models through 10/5/08
	209/00287/11	AC Drive Filter	35 pound models; Models starting 10/6/08
<b>2</b>	111/10425/11	Inverter Box Cover	18 and 25 pound models; Models that have been converted from 500-series to 700-series inverter drive
	F200169500	AC Drive Cover	18 and 25 pound models; All other applications
	F200169600	AC Drive Cover	35 pound models
<b>3</b>	9001338	Screw	
<b>4</b>	9001229	Washer	
<b>5</b>	9001267	Nut	
<b>6</b>	9001382	Motor and Inverter Fan	18 and 25 pound models
	9001375	Cooling Fan	35 pound models
<b>7</b>	9001310	Bolt	
<b>8</b>	9001079	Inverter Drive Box	18 and 25 pound models; FR-E520 and FR-E540 series inverter drive
	111/10425/50	Inverter Drive Box	18 and 25 pound models; FR-D720 and FR-D740 series inverter drive
	9001695	Inverter Drive Box	35 pound models
<b>9</b>	9001530	Grommet	
<b>10</b>	9001252	Nut	
<b>11</b>	9001243	Washer	
<b>12</b>	9001309	Bolt	
<b>13</b>	9001530	Grommet	

# AC Drive Panel (Drawing 2 of 3)

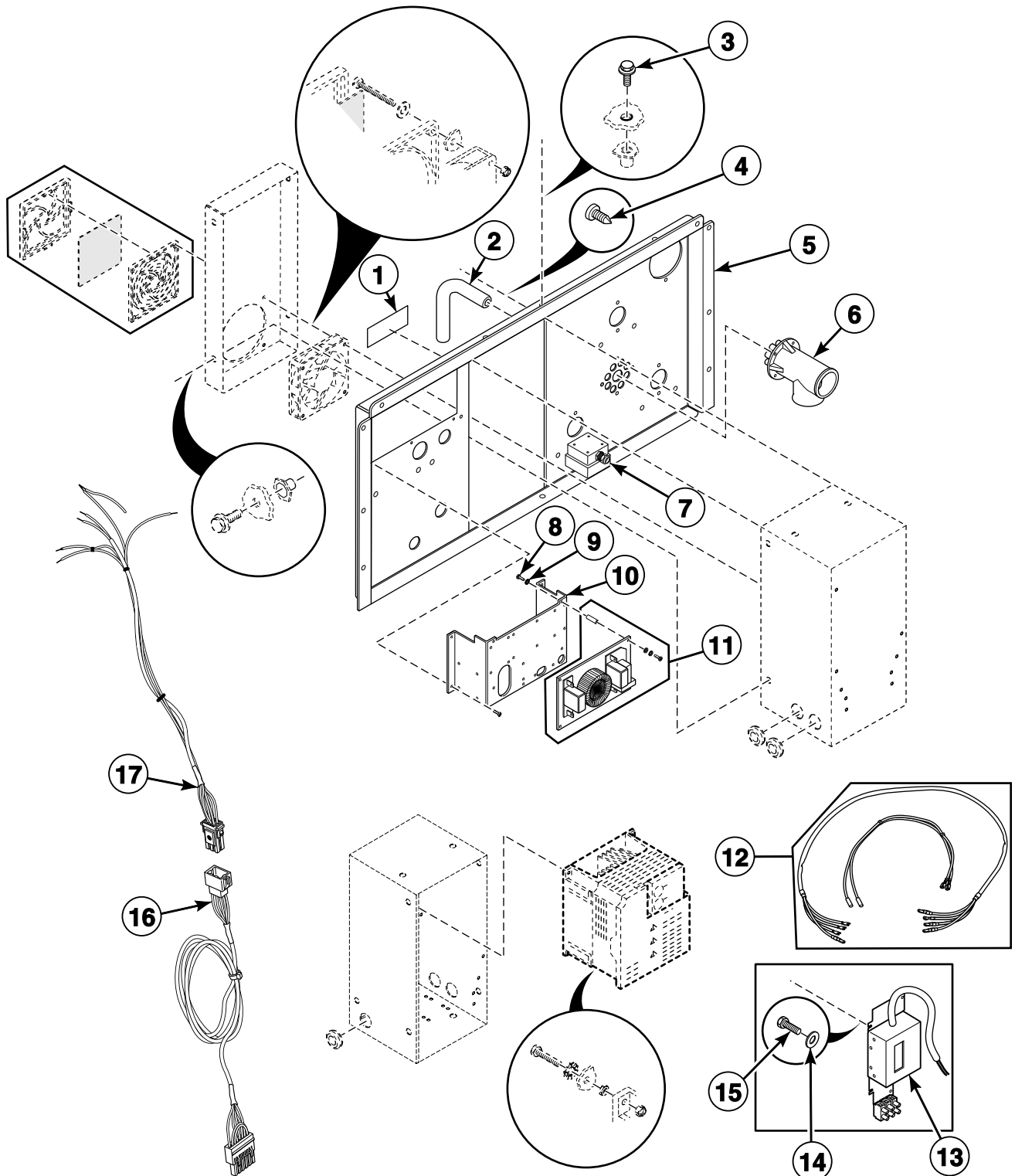


CFD434PA\_9001004

## AC Drive Panel (Drawing 2 of 3)

REF	PART NO.	DESCRIPTION	COMMENTS
1	227/00236/00	Inverter Drive	18 and 25 pound models; FR-E540 series; 3 x 400 Volt
	227/00228/00	Inverter Drive	18 and 25 pound models; FR-E520 series; 1 x 230 Volt
	9001892	Inverter Drive	35 pound models; FR-E540 series; 3 x 400 Volt
	227/00229/00	Inverter Drive	35 pound models; FR-E520 series; 1 x 230 Volt
	F8420905	Inverter Drive	700-series; 18 pound design 7 models with P, Q or X in the 7th or 8th position of the model number
	F8420704	Inverter Drive	700-series; 18 pound design 6 models with P, Q or X in the 7th position of the model number
	F8420906	Inverter Drive	700-series; Models UX018PVNA7 and UX18PVNA7
	F8420705	Inverter Drive	700-series; Models UX18PVNA6 and UX18PVNU6
	F8420907	Inverter Drive	700-series; 25 pound design 7 models with P, Q or X in the 7th or 8th position of the model number
	F8420706	Inverter Drive	700-series; 25 pound design 6 models with P, Q or X in the 7th position of the model number
	F8420908	Inverter Drive	700-series; Models UX025PVNA7 and UX25PVNA7
	F8420707	Inverter Drive	700-series; Models UX25PVNA6 and UX25PVNU6
	F8420911	Inverter Drive	700-series; 35 pound design 7 models with P, Q or X in the 7th or 8th position of the model number
	F8420710	Inverter Drive	700-series; 35 pound design 6 models with P, Q or X in the 7th position of the model number
	F8420912	Inverter Drive	700-series; Models SX035PVNM7, SX35PVNM7, UX035PVNA7 and UX35PVNA7
	F8420711	Inverter Drive	700-series; Models UX35PVNA6 and UX35PVNU6
	F8420805	Inverter Drive Kit	Used to convert 500-series to 700-series inverter drive; 18 pound design 7 models with P, Q or X in the 7th or 8th position of the model number
	F8420604	Inverter Drive Kit	Used to convert 500-series to 700-series inverter drive; 18 pound design 6 models with P, Q or X in the 7th position of the model number
	F8420806	Inverter Drive Kit	Used to convert 500-series to 700-series inverter drive; Models UX018PVNA7 and UX18PVNA7
	F8420605	Inverter Drive Kit	Used to convert 500-series to 700-series inverter drive; Models UX18PVNA6 and UX18PVNU6
	F8420807	Inverter Drive Kit	Used to convert 500-series to 700-series inverter drive; 25 pound design 7 models with P, Q or X in the 7th or 8th position of the model number
	F8420606	Inverter Drive Kit	Used to convert 500-series to 700-series inverter drive; 25 pound design 6 models with P, Q or X in the 7th position of the model number
	F8420808	Inverter Drive Kit	Used to convert 500-series to 700-series inverter drive; Models UX025PVNA7 and UX25PVNA7
	F8420607	Inverter Drive Kit	Used to convert 500-series to 700-series inverter drive; Models UX25PVNA6 and UX25PVNU6
	F8420811	Inverter Drive Kit	Used to convert 500-series to 700-series inverter drive; 35 pound design 7 models with P, Q or X in the 7th or 8th position of the model number
	F8420610	Inverter Drive Kit	Used to convert 500-series to 700-series inverter drive; 35 pound design 6 models with P, Q or X in the 7th position of the model number
	F8420812	Inverter Drive Kit	Used to convert 500-series to 700-series inverter drive; Models SX035PVNM7, SX35PVNM7, UX035PVNA7 and UX35PVNA7
	F8420611	Inverter Drive Kit	Used to convert 500-series to 700-series inverter drive; Models UX35PVNA6 and UX35PVNU6
	227/00125/05	Inverter Fan	35 pound models; FR-D520 and FR-D540 series

# AC Drive Panel (Drawing 3 of 3)



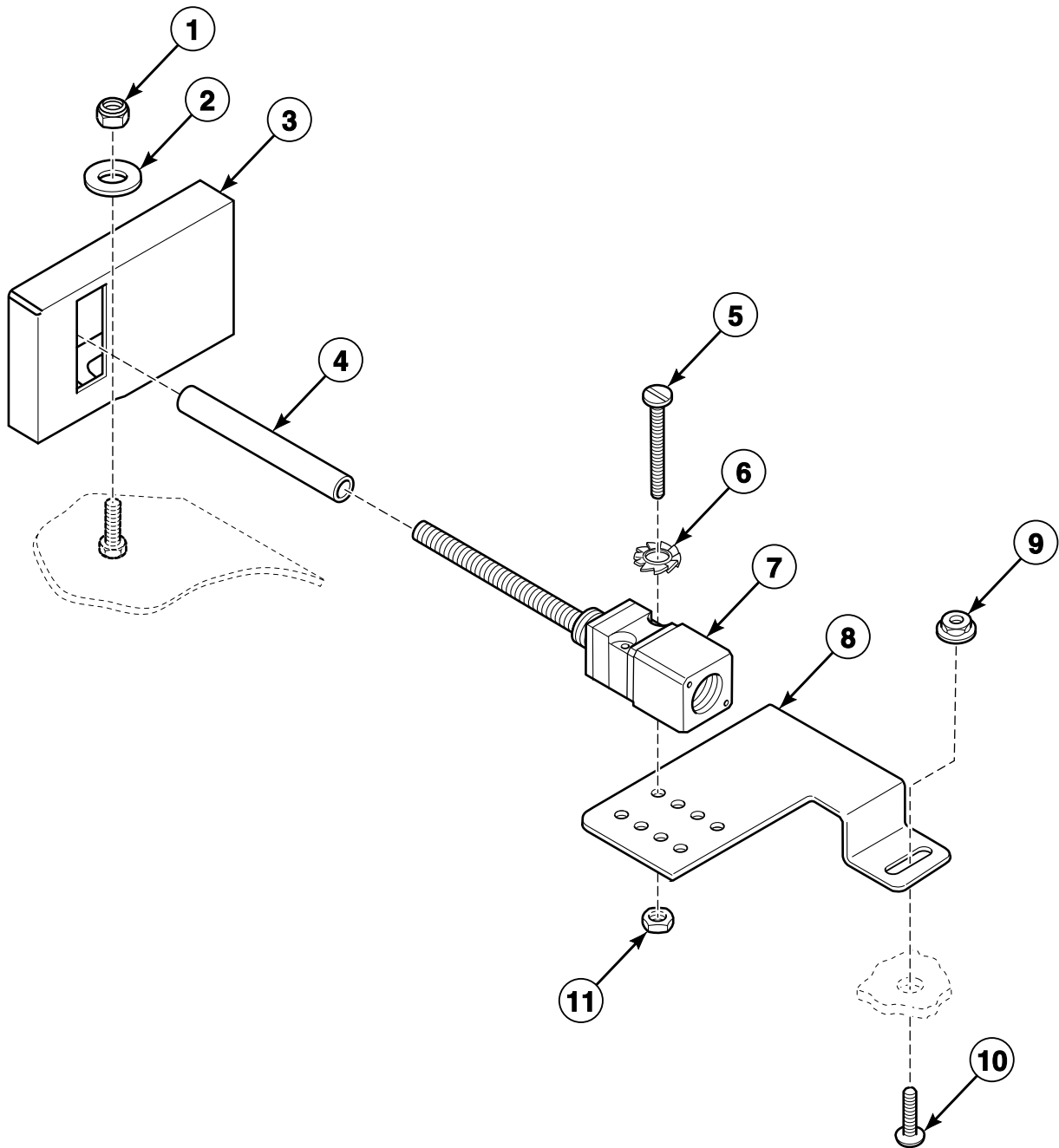
CFD435P\_9001004

## AC Drive Panel (Drawing 3 of 3)

REF	PART NO.	DESCRIPTION	COMMENTS
	9001011	Parameter Unit Assembly	Includes 9001011 Parameter Unit Assembly and 9001895 Parameter Unit Program Cable
1	B12355001	Voltage Discharge Decal	
2	9001531	Pressure Hose	
3	9001310	Bolt	
4	208/00130/00	Screw	
5	9001081	Backbridge	18 and 25 pound models
	9001063	Backbridge	35 pound models
6	9001551	Liquid Soap Manifold	
7	9001986	Transformer	Models SX035PVNM7, SX35PVNM7, UX018PVNA7, UX025PVNA7, UX035PVNA7, UX18PVNA6, UX18PVNA7, UX18PVNU6, UX25PVNA6, UX25PVNA7, UX25PVNU6, UX35PVNA6, UX35PVNA7 and UX35PVNU6
8	9001292	Bolt	
9	9001243	Washer	
10	9001902	Electrical Connection Plate	
11	210/00027/UL00	Filter	18 and 25 pound models
	B12339401	Noise Filter	35 pound models
12	9002076	Motor and Fan Harness	18 and 25 pound models
	9002077	Motor and Fan Harness	35 pound models
13	9001592	Noise Filter	18 and 25 pound models; Models through 1/7/04
	9001593	Noise Filter	35 pound models
14	9001243	Washer	
15	9001323	Screw	
16	9001905	Micro to Connector Harness	Board to connector harness; Requires inverter drive jumper to be in the "source" position
17	9001904	Connector to Inverter Harness	Inverter drive to connector harness

# Balance Switch (Drawing 1 of 3)

Models HX18PVQU6, HX18PVXU6, HX25PVQU6, HX25PVXU6, SX18PVQU6, SX18PVXU6, SX25PVQU6, SX25PVXU6, UX18PVNU6, UX18PVPU6, UX18PVQU6, UX18PVXU6, UX25PVNU6, UX25PVPU6, UX25PVQU6 and UX25PVXU6



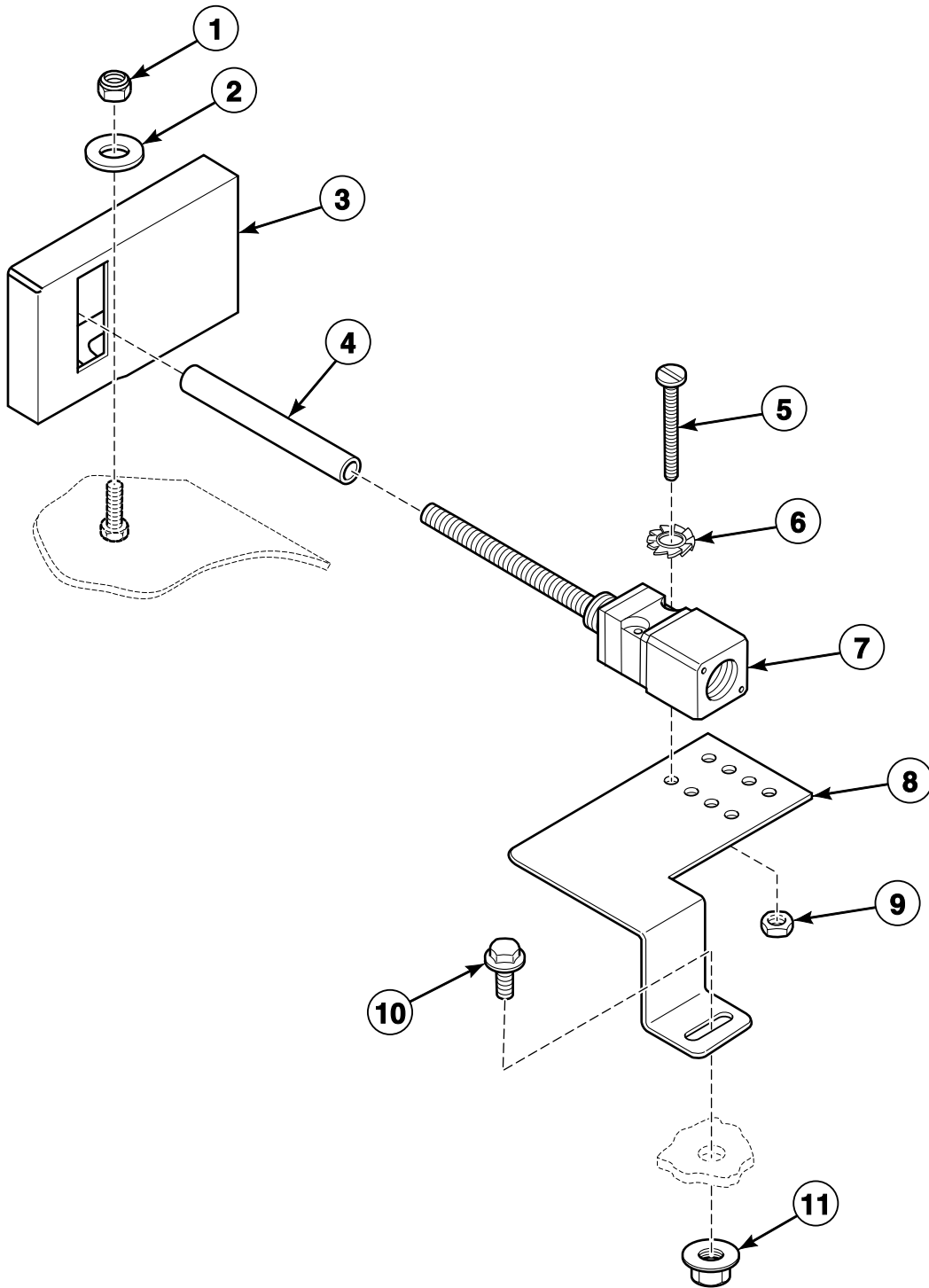
CFD17P\_9001004

## Balance Switch (Drawing 1 of 3)

REF	PART NO.	DESCRIPTION	COMMENTS
1	9001263	Nut	
2	9001216	Washer	
3	9001043	Tilt Detector Plate	
4	9001766	Out-of-Balance Switch Boot	
5	9001325	Screw	
6	9001243	Washer	
7	9001369	Out-of-Balance Switch	
8	9001065	Out-of-Balance Switch Bracket	
9	9001311	Nut	
10	9001663	Screw	
11	9001252	Nut	

# Balance Switch (Drawing 2 of 3)

Models HX35PVQU6, HX35PVXU6, SX35PVQU6, SX35PVXU6, UX35PVNU6, UX35PVPU6, UX35PVQU6 and UX35PVXU6



CFD25P\_9001004

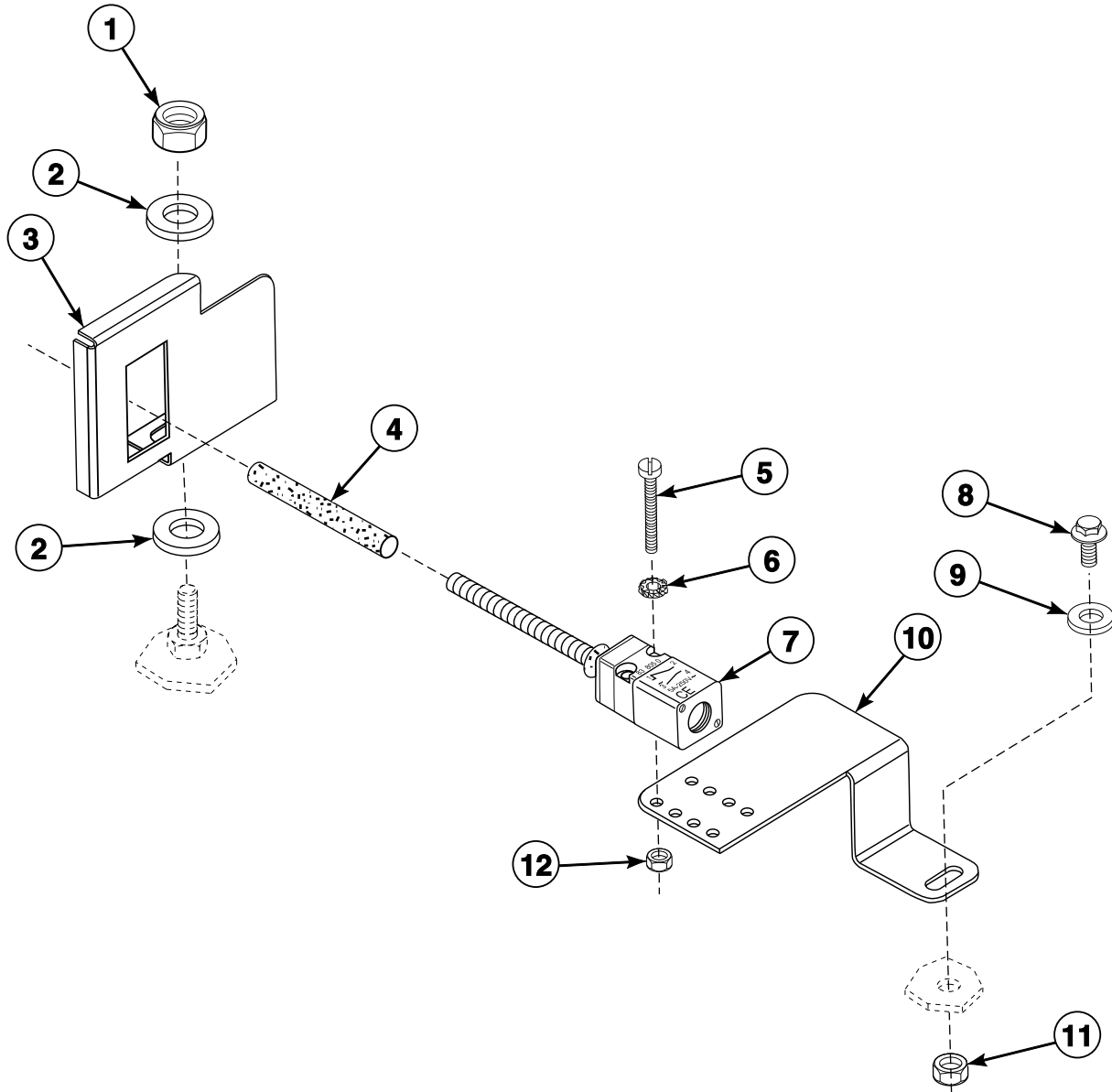


## Balance Switch (Drawing 2 of 3)

REF	PART NO.	DESCRIPTION	COMMENTS
1	9001263	Nut	
2	9001216	Washer	
3	9001043	Tilt Detector Plate	
4	9001766	Out-of-Balance Switch Boot	
5	9001325	Screw	
6	9001243	Washer	
7	9001369	Out-of-Balance Switch	
8	9001042	Tilt Switch Bracket	
9	9001252	Nut	
10	9001663	Screw	
11	9001311	Nut	

# Balance Switch (Drawing 3 of 3)

All Models Except HX18PVQU6, HX18PVXU6, HX25PVQU6, HX25PVXU6, HX35PVQU6, HX35PVXU6, SX18PVQU6, SX18PVXU6, SX25PVQU6, SX25PVXU6, SX35PVQU6, SX35PVXU6, UX18PVNU6, UX18PVPU6, UX18PVQU6, UX18PVXU6, UX25PVNU6, UX25PVPU6, UX25PVQU6, UX25PVXU6, UX35PVNU6, UX35PVPU6, UX35PVQU6 and UX35PVXU6

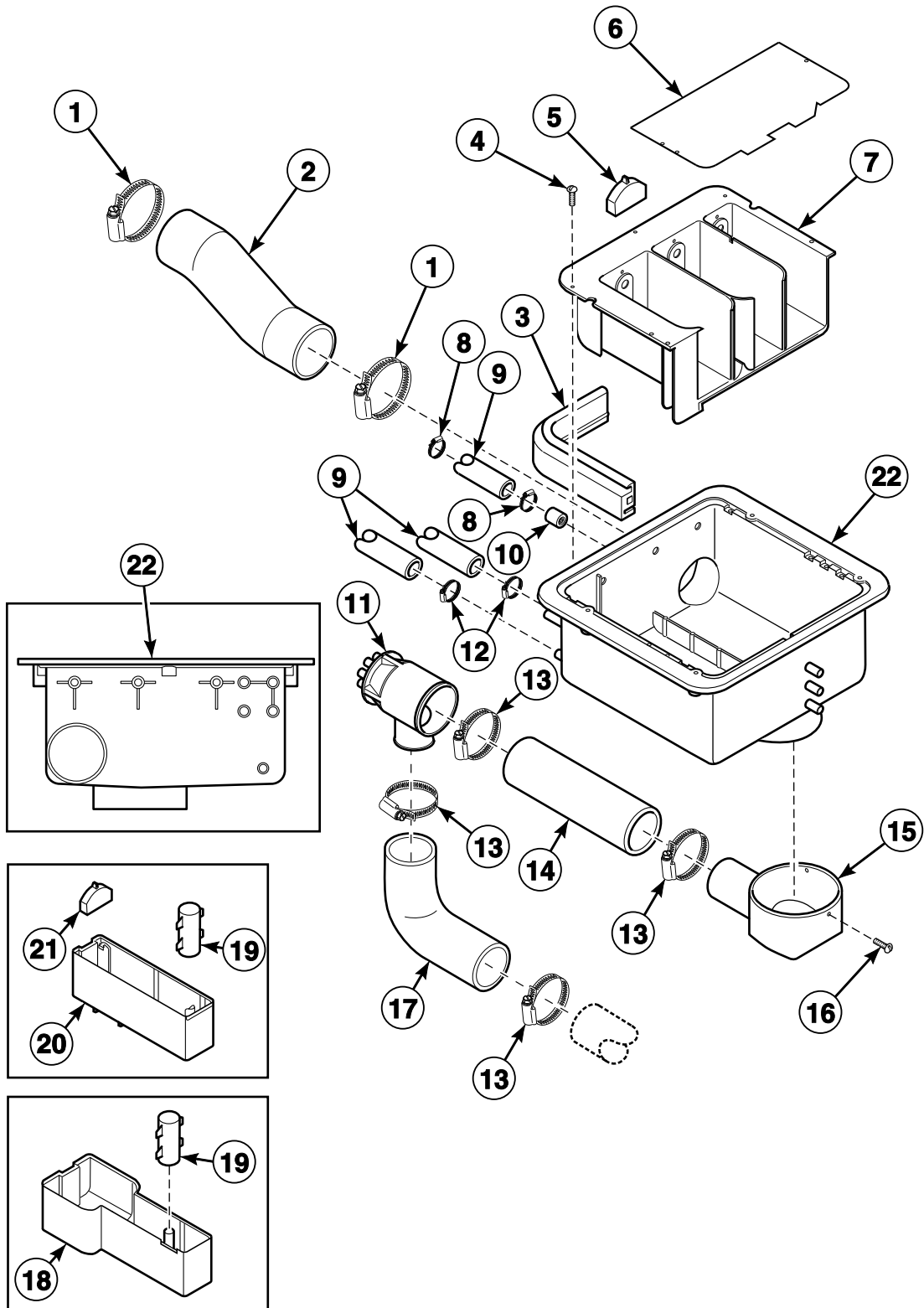


CFD151P\_9001004

## Balance Switch (Drawing 3 of 3)

REF	PART NO.	DESCRIPTION	COMMENTS
1	9001263	Nut	
2	9001216	Washer	
3	9001917	Tilt Detector Plate	
4	9001766	Out-of-Balance Switch Boot	
5	9001325	Screw	
6	9001243	Washer	
7	9001369	Out-of-Balance Switch	
8	9001310	Bolt	
9	9001213	Washer	
10	9001964	Tilt Switch Support	Right
	9001965	Tilt Switch Support	Left
11	9001250	Nut	
12	9001252	Nut	

# Supply Dispenser

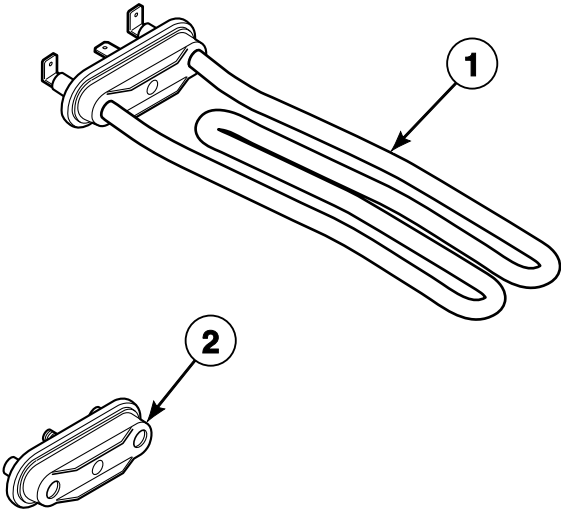


CFD127P\_9001004

# Supply Dispenser

REF	PART NO.	DESCRIPTION	COMMENTS
1	9001495	Hose Clamp	
2	9001519	Vent Hose	
3	9001522	Soap Dispenser Gasket	
4	B12347501	Screw	
5	9001509	Soap Spray Nozzle	
6	F200047800	Supply Deflector	
7	223/00102/30	Soap Dispenser Assembly	
8	36801	Hose Clamp	No. 8
9	9001499	Water Hose	
10	F060334200P	Restrictor Assembly	
11	9001551	Liquid Soap Manifold	
12	F200205	Hose Clamp	No. 10
13	9001494	Hose Clamp	
14	9001664	Siphon Break Dispenser Hose	18 and 25 pound models
	9001666	Siphon Break Dispenser Hose	35 pound models
15	9001537	Dispenser Drain Funnel	18 and 25 pound models
	9001538	Dispenser Drain Funnel	35 pound models
16	B12350903	Screw	
17	9001665	Siphon Break Hose	18 and 25 pound models
	9001667	Siphon Break Hose	35 pound models
18	9001511	Liquid Soap Dispenser Insert	
19	9001507	Soap Dispenser Rinse Siphon	
20	9001506	Rinse Insert	
21	9001508	Softener Spray Nozzle	
22	223/00102/30	Soap Dispenser Assembly	

# Electric Heating Option

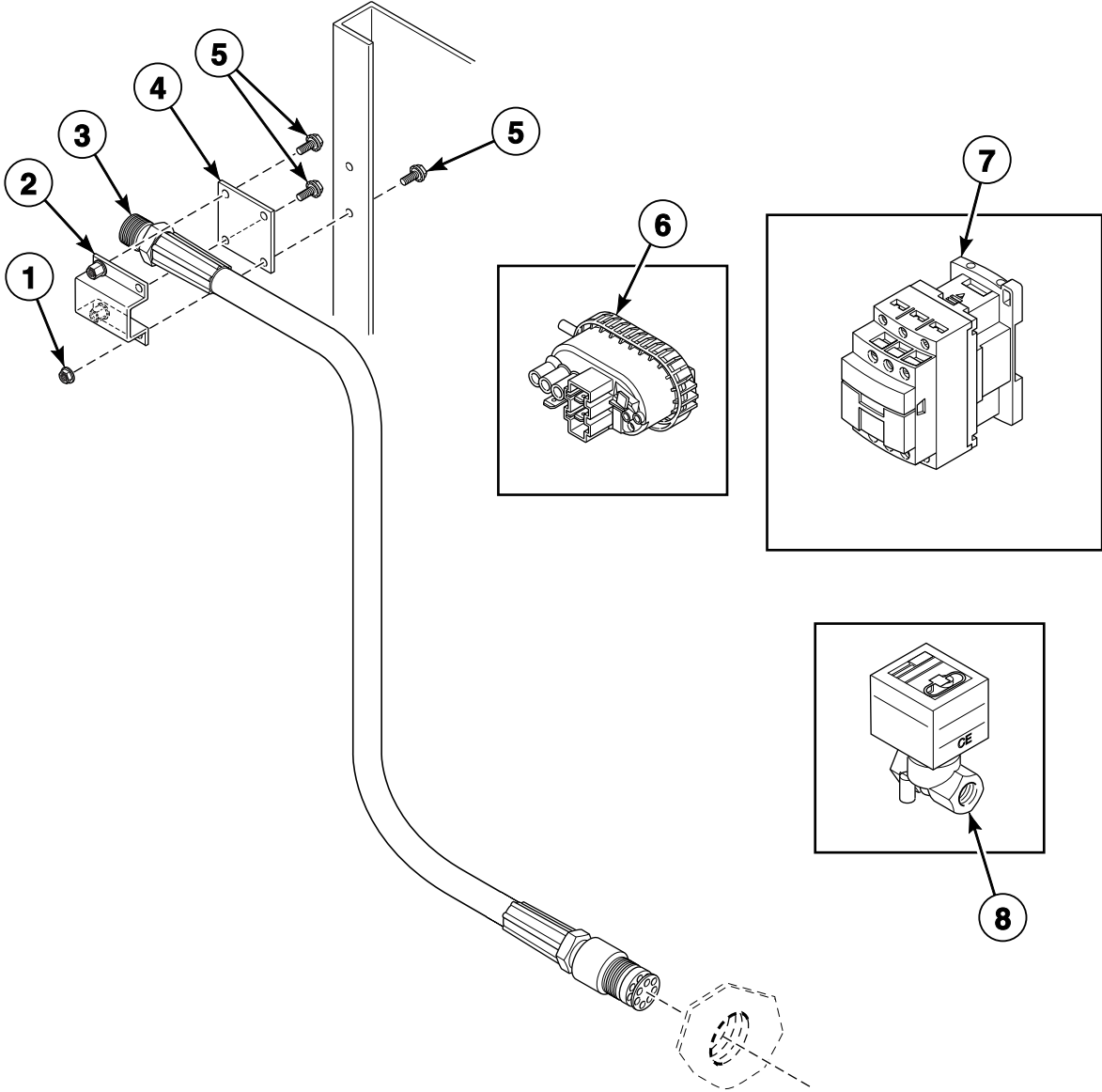


CFD533P\_9001004

# Electric Heating Option

REF	PART NO.	DESCRIPTION	COMMENTS
1	209/00562/20	Heating Element	3000 W
2	F360202	Heating Element Plug	

# Steam Heating Option - \*X35 Models



CFD534P\_9001004



## Steam Heating Option - \*X35 Models

REF	PART NO.	DESCRIPTION	COMMENTS
	924P3	Steam Heat Kit	Includes items 1-8, 209/00737/00 Connector, F140329 Strain Relief Connector and F140609 DIN Connector
	209/00737/00	Connector	
	F140329	Strain Relief Connector	
	F140609P	DIN Connector	
<b>1</b>	9001311	Nut	
<b>2</b>	111/00155/00	Steam Bracket	
<b>3</b>	217/00063/00	Steam Hose	
<b>4</b>	111/00155/10	Bracket Support	
<b>5</b>	9001310	Bolt	
<b>6</b>	900/00108/00	Safety Level Switch	
<b>7</b>	900/00217/00	Contact and Wiring Assembly	
<b>8</b>	9001386	Steam Valve	



# Parts Index

## A

AC Drive Cover	
F200169500 .....	79
F200169600 .....	79
AC Drive Filter	
209/00287/11 .....	79

## B

Back Panel	
9001153 .....	67, 69
Backbridge	
9001063 .....	63, 71, 83
9001081 .....	63, 65, 71, 73, 83
9002061 .....	65, 75
Ball Bearing	
215/00001/13 .....	23, 25
9001438 .....	25
9001454 .....	23
9001457 .....	23
Basket and Shaft Assembly	
B12379701 .....	21
B12379801 .....	21
B12379901 .....	21
B12380001 .....	21
B12380501 .....	21
B12380601 .....	21
Bearing	
F100134 .....	25
F100137P .....	23, 25
Bearing Housing Assembly	
152/10117/01 .....	25
152/10118/01 .....	25
9001028 .....	23
9001031 .....	23
Bearing Kit	
889P3 .....	23
Bearing Replacement Kit	
890P3 .....	23
Bearing Replacement Tool Kit	
383P4 .....	23, 25
384P4 .....	23, 25
Bearing Retainer Ring	
9001036 .....	63, 65
Bearing Spacer	
217/00100/00 .....	23, 25, 29
9001980 .....	23, 25, 29
Belt	
9001929 .....	29, 35
9001981 .....	29, 35
Belt Adjusting Rod	
9001098 .....	31, 33
Bolt	
206/00032/00 .....	17, 19, 21
9001272 .....	23, 25
9001273 .....	45
9001274 .....	23, 25, 49, 51, 53, 63, 65
9001276 .....	63, 65

9001283 .....	27
9001284 .....	27
9001285 .....	29, 31, 33
9001287 .....	45
9001291 .....	9, 71, 73, 75
9001292 .....	63, 71, 73, 75, 77, 83
9001293 .....	13
9001295 .....	39, 41, 43
9001301 .....	31, 35
9001304 .....	9
9001309 .....	79
9001310 .....	35, 37, 59, 61, 63, 65, 67, 69, 71, 73, 75, 79, 83, 89, 95
9001316 .....	31, 33
9001342 .....	67
Bracket Support	
111/00155/10 .....	95

## C

Caddy Bracket	
9001559 .....	23, 25
9001560 .....	23, 25
Circuit Board Cover	
229/00289/00 .....	57
Connector	
209/00737/00 .....	95
9001888 .....	71, 73, 75
Connector to Inverter Harness	
9001904 .....	83
Contact Block	
44018701 .....	57
44018901 .....	57
Contactors	
9001352 .....	59, 61
9002066 .....	59, 61
Contactors and Wiring Assembly	
900/00217/00 .....	95
Control Panel	
9001049 .....	57, 63
9001050 .....	57, 63
9002043 .....	65
Cooling Fan	
9001375 .....	79
Cordlock	
9001427 .....	33
9001432 .....	31
9001433 .....	35, 71
9001434 .....	35, 71, 73, 75
Counter Ring	
9001462 .....	23, 25, 27, 29
9001483 .....	23, 25, 27, 29
Counterweight	
9001159 .....	9
9001160 .....	9
Crossbar	
9001908 .....	63
9001992 .....	63, 65
Cylinder and Shaft Assembly	
111/01917/00 .....	19, 21

N/A items do not appear in index.

Cylinder and Trunnion Assembly	
111/01954/00 .....	17
111/01962/00 .....	17
9001126 .....	17
Cylinder Shaft Key	
9001458 .....	27
9001459 .....	27

## D

DIN Connector	
F140609P .....	95
Dispenser Drain Funnel	
9001537 .....	91
9001538 .....	91
Display	
209/00580/03 .....	57
Door Frame	
118/00046/10 .....	51, 53
Door Glass	
217/00023/00 .....	49, 51, 53
Door Glass Seal	
9001466 .....	49, 51, 53
Door Handle	
217/00065/00 .....	49, 51, 53, 55
Door Handle Catch	
9001473 .....	55
Door Handle Latch	
9001474 .....	55
Door Handle Stop	
9001467 .....	49, 51, 53
Door Hinge Assembly	
9001465 .....	49, 51, 53
Door Hinge Spacer	
9001033 .....	49, 51, 53
9001034 .....	49, 51, 53
Door Lock Assembly	
9001885 .....	47
Door Lock Harness	
9001985 .....	47
Door Lock Microswitch	
9001371 .....	47
Door Lock Pin and Pivot Block Kit	
9001997 .....	47, 49, 51, 53
Door Lock Solenoid	
C000184P .....	47
Door Lock Spacer	
9001477 .....	47
Door Lock Spring	
9001558 .....	47
Door Release Wire	
9001950 .....	47
Drain Pipe	
9001517 .....	39
9001518 .....	45
9001547 .....	37
9001945 .....	41, 43
Drain Valve	
9001353 .....	37, 39
9001355 .....	45
9001361 .....	45
9001934 .....	41
9002083 .....	43

Drain Valve Harness	
900/00116/00 .....	37, 39, 41, 43, 45
Drain Valve Hose	
9001534 .....	37, 39
Drain Valve Overflow Plug	
9001503 .....	37, 39, 45
Drain Valve Plate Assembly	
9001099 .....	45
Drain Valve to Drain Pipe Hose	
9001526 .....	45
Drain Valve to Pipe Hose	
9002097 .....	43
Drain Valve Vent Hose	
9001535 .....	37, 39, 41
Drum and Axle	
B12326101 .....	19, 21
B12326701 .....	19, 21

## E

Electrical Component Mounting Plate	
9001958 .....	61
9001959 .....	61
Electrical Component Plate	
9001047 .....	59
9001052 .....	59
Electrical Component Plate Extension	
9001048 .....	59
Electrical Connection Plate	
9001040 .....	71, 73, 75
9001051 .....	71
9001902 .....	83
Electrical Connection Sticker	
9001594 .....	71, 73, 75
Electrical Plate Assembly	
9001039 .....	59
Exhaust Valve Hose	
223/00170/00 .....	45

## F

Fan Grill	
9001376 .....	79
9001383 .....	79
Fastening Rubber	
9001615 .....	13, 15
9001616 .....	13, 15
Filter	
209/00385/00 .....	71, 73, 75
209/00385/01 .....	71, 73, 75
210/00027/UL00 .....	83
Flat Cable	
9001417 .....	57
Flow Restrictor	
223/00390/00 .....	71, 73, 75
Frame	
9001149 .....	9
9001151 .....	9
9001689 .....	9
9001915 .....	11
9002053 .....	11
9002070 .....	11

N/A items do not appear in index.

Front Left Panel	
9001077 .....	63
Front Panel	
111/01897/00 .....	21
9001066 .....	9, 49
9001688 .....	9
9002037 .....	19
9002050 .....	19
Front Shell	
9002038 .....	19, 21
9002056 .....	19, 21
Fuse	
M413867 .....	75
9001379 .....	57
9001384 .....	71, 73, 75
Fuse Holder	
9001364 .....	71, 73, 75

## G

Gasket	
9001608 .....	63, 65
Grommet	
9001530 .....	59, 79
9001539 .....	59, 71, 73, 75
Ground Terminal	
9001350 .....	71, 73, 75, 77
9001419 .....	47

## H

Heating Element	
209/00562/20 .....	93
Heating Element Plug	
F360202 .....	93
Hinge	
9001485 .....	49, 51, 53
Hose Barb	
9001496 .....	43, 59
Hose Clamp	
F200205 .....	41, 43, 71, 73, 75, 91
36801 .....	91
9001492 .....	43, 59
9001493 .....	37, 39, 45
9001494 .....	37, 39, 41, 43, 45, 91
9001495 .....	37, 39, 41, 43, 91
9001502 .....	45
Hose Vent	
9001510 .....	71, 73, 75

## I

Inlet Valve	
9001747 .....	71, 73, 75
Inlet Valve Restrictor	
F200052400 .....	71, 73, 75
Inlet Valve, 2-Way	
209/00803/00 .....	71, 73, 75
Insulating Sticker	
229/00255/00 .....	57

Interlock Coil Spring	
9001554 .....	47
Interlock Lever	
9001478 .....	47
Inverter	
227/00227/00 .....	35
Inverter Box Cover	
111/10425/11 .....	79
Inverter Drive	
F8420704 .....	81
F8420705 .....	81
F8420706 .....	81
F8420707 .....	81
F8420710 .....	81
F8420711 .....	81
F8420905 .....	81
F8420906 .....	81
F8420907 .....	81
F8420908 .....	81
F8420911 .....	81
F8420912 .....	81
227/00228/00 .....	81
227/00229/00 .....	81
227/00236/00 .....	81
9001892 .....	81

Inverter Drive Box	
111/10425/50 .....	79
9001079 .....	79
9001695 .....	79

Inverter Drive Kit	
F8420604 .....	81
F8420605 .....	81
F8420606 .....	81
F8420607 .....	81
F8420610 .....	81
F8420611 .....	81
F8420805 .....	81
F8420806 .....	81
F8420807 .....	81
F8420808 .....	81
F8420811 .....	81
F8420812 .....	81

Inverter Fan	
227/00125/05 .....	81

## K

Kickplate	
9001083 .....	63
9001693 .....	63, 65
9002042 .....	65

## L

Left Front Panel	
9001694 .....	63, 65
9002044 .....	65
Leveling Leg	
9001621 .....	11
Lever Spring	
9001553 .....	47
Light Microswitch	
9001372 .....	47

N/A items do not appear in index.

Liquid Soap Dispenser Insert	
9001511 .....	91
Liquid Soap Manifold	
9001551 .....	83, 91
Lock Shaft	
9001468 .....	47
Logo Decal	
9001890 .....	57

## M

Main Control	
9002100 .....	57
Main Switch	
9001387 .....	77
9001390 .....	77
9002089 .....	77
Main Switch Cover	
9002088 .....	77
Micro to Connector Harness	
9001905 .....	83
Motor	
9001579 .....	31, 35
9001580 .....	33, 35
Motor and Fan Harness	
9002076 .....	83
9002077 .....	83
Motor and Inverter Fan	
9001382 .....	31, 33, 35, 79
Motor Key	
227/00126/01 .....	31, 35
227/00127/01 .....	33, 35
Motor Plate	
9001154 .....	31, 33
Motor Pulley	
9001931 .....	35
9001982 .....	35

## N

Neutral Terminal Block	
9001388 .....	77
9001391 .....	77
Noise Filter	
B12339401 .....	83
9001592 .....	83
9001593 .....	83
Noise Suppressor	
9001746 .....	59
Nut	
9001248 .....	13
9001249 .....	45
9001250 .....	9, 39, 89
9001251 .....	63, 65
9001252 .....	71, 73, 75, 79, 85, 87, 89
9001253 .....	47, 57
9001254 .....	17, 19, 21, 37, 39, 63, 65
9001255 .....	31, 33
9001258 .....	49, 51, 53
9001260 .....	45, 49, 51, 53, 63, 65
9001262 .....	35
9001263 .....	13, 15, 19, 21, 31, 33, 85, 87, 89
9001264 .....	9, 11, 23, 25

N/A items do not appear in index.

9001265 .....	23
9001267 .....	33, 63, 79
9001268 .....	31, 35
9001269 .....	57
9001270 .....	41, 43, 71, 73, 75
9001311 .....	41, 43, 59, 63, 85, 87, 95
9001344 .....	71, 73, 75
9001347 .....	63, 65
9001349 .....	67, 69
9001435 .....	71
9001436 .....	71
9001916 .....	11

## O

O-Ring	
9001460 .....	23
9001469 .....	47, 49, 51, 53
Outer Tub	
B12328701 .....	19, 21
9002048 .....	19, 21
9002054 .....	19, 21
9002055 .....	19, 21
Outlet Pipe Plate Assembly	
9001037 .....	37, 39, 41, 43, 45, 63, 65
Out-of-Balance Switch	
9001369 .....	85, 87, 89
Out-of-Balance Switch Boot	
9001766 .....	85, 87, 89
Out-of-Balance Switch Bracket	
9001065 .....	85
Overflow Hose	
223/00130/00 .....	45
9001504 .....	39
9001527 .....	37, 41, 43
9001983 .....	41
Overlay	
F8435601 .....	57
F9001561 .....	57
9001563 .....	57
Overload Contactor	
9002021 .....	61
9002022 .....	61
9002023 .....	61
9002024 .....	61
9002025 .....	61
9002026 .....	61
9002027 .....	61

## P

Parameter Unit Assembly	
F8410901 .....	79
9001011 .....	79, 83
Plug	
9001421 .....	71, 73, 75
Pressure Hose	
223/00333/00 .....	41, 43, 59, 61
9001531 .....	83
Pressure Switch	
209/00027/10 .....	61
9001351 .....	59

Pressure Switch Cap	
9001932 .....	41, 61
Pressure Switch Elbow	
9001542 .....	43, 59
Pressure Switch Hose Tee	
223/00173/10 .....	41, 43, 59, 61
Prewash and Mainwash Nozzle	
9001487 .....	41, 43, 71, 73, 75
Programming Cable	
9001418 .....	57
Programming Key	
9001756 .....	57
Programming Key Contact Switch	
9001378 .....	57
Pulley	
9001565 .....	33
9001566 .....	27
9001567 .....	27
9001571 .....	31
9001930 .....	29
Pushbutton	
44018801 .....	57

## R

Rear Lower Panel	
9001082 .....	67, 69
Rear Right Panel	
9001078 .....	63
Restrictor Assembly	
F060334200P .....	91
Retainer Ring	
9001440 .....	25
9001446 .....	23
9001447 .....	23
9001448 .....	23
9001449 .....	23
9001453 .....	23, 25
9001622 .....	23
Right Front Panel	
9001692 .....	63, 65
9002041 .....	65
Rinse Insert	
9001506 .....	91
Rivet	
9001346 .....	73, 75, 77
9001953 .....	73

## S

Safety Level Switch	
900/00108/00 .....	95
Screw	
B12347501 .....	91
B12350903 .....	91
B12500801 .....	53
207/00112/00 .....	47
207/00135/00 .....	47
208/00130/00 .....	83
9001300 .....	9, 11, 23, 25
9001302 .....	27, 31, 33, 35
9001303 .....	23, 25
9001308 .....	37

9001323 .....	83
9001324 .....	47
9001325 .....	85, 87, 89
9001326 .....	49, 51
9001327 .....	33
9001329 .....	71, 73, 75
9001333 .....	47
9001336 .....	31, 35
9001338 .....	79
9001341 .....	49, 51, 53
9001343 .....	63, 71, 73
9001657 .....	9, 19, 21
9001661 .....	63, 65
9001662 .....	63, 65
9001663 .....	85, 87
9001984 .....	65, 75
9001993 .....	63
9002018 .....	65
Seal Cover	
9001032 .....	23
Seal Holder Assembly	
9001117 .....	23, 25
Seal Plate	
9001116 .....	23
Seal Plate Assembly	
B12333601 .....	25
B12333701 .....	25
Shaft Seal	
9001461 .....	23
9001482 .....	23
Shaft Seal Holder	
9001699 .....	23, 25
Shipping Brace	
185/00009/12 .....	11
Shipping Bracket	
9001760 .....	9
Shock Absorber	
247/00002/03 .....	13, 15
247/00003/00 .....	13
9001613 .....	13, 15
9001614 .....	13
Side Panel	
111/10089/00 .....	65, 69
111/10089/60 .....	65, 69
111/60031/00 .....	65, 69
9001069 .....	63, 67, 69
9001070 .....	63, 67
9001086 .....	63, 65, 67, 69
9002045 .....	65
Siphon Break Dispenser Hose	
9001664 .....	91
9001666 .....	91
Siphon Break Hose	
9001665 .....	91
9001667 .....	91
Soap Dispenser Assembly	
223/00102/30 .....	91
Soap Dispenser Cover	
9001514 .....	67, 69
Soap Dispenser Cover Hinge Rod	
9001516 .....	67, 69
Soap Dispenser Crossbar	
9002019 .....	65
Soap Dispenser Frame	
9001515 .....	67, 69

N/A items do not appear in index.

Soap Dispenser Gasket 9001522 .....	91
Soap Dispenser Rinse Siphon 9001507 .....	91
Soap Harness 210/01304/07 .....	57
Soap Injection PCB with Fuse 9001366 .....	71, 73, 75
Soap Spray Nozzle 9001509 .....	91
Softener Spray Nozzle 9001508 .....	91
Spacer 9001425 .....	57
9001659 .....	57
Speed Detector 210/00074/00 .....	23, 25
Spring Holder Top 9001611 .....	13, 15
Spring Seat Bottom 9001610 .....	13, 15
Standoff 9001429 .....	71, 73, 75
Steam Bracket 111/00155/00 .....	95
Steam Heat Kit 924P3 .....	95
Steam Hose 217/00063/00 .....	95
Steam Valve 9001386 .....	95
Strain Relief Connector F140329 .....	95
Supply Deflector F200047800 .....	91
Support Connector 9001960 .....	61
Suspension Spring 9001609 .....	13, 15
9001612 .....	13
9001618 .....	13, 15
Switch Base 9001356 .....	57
Switch Knob 9002072 .....	57
Switch Lever 9001479 .....	47

## T

Terminal Block 9001354 .....	71, 73, 75
Thermostat 9001660 .....	59
9001669 .....	61
Thermostat Seal 9001564 .....	59, 61
Tilt Detector Plate 9001043 .....	85, 87
9001917 .....	19, 21, 89
Tilt Switch Bracket 9001042 .....	87

Tilt Switch Support 9001964 .....	89
9001965 .....	89
Tolerance Ring 9001928 .....	29
Top Panel 111/22743/00 .....	67, 69
9001084 .....	67, 69
9001085 .....	67
T-Piece 253/00006/00 .....	45
Transformer 9001986 .....	83
Tub 9001108 .....	17
9001109 .....	17
9001111 .....	17
9001112 .....	17
9001113 .....	17
9001114 .....	17
9001115 .....	17
9001690 .....	17
9001691 .....	17
9001918 .....	19, 21
9001919 .....	19, 21
Tub Front 9001102 .....	17
9001136 .....	17
Tub Front Panel Clip 9001464 .....	17, 19, 21
Tub Front Ring Clamp 9001463 .....	17, 19, 21
9001484 .....	17, 19, 21
Tub Gasket 223/00242/10 .....	17, 19, 21
223/00242/20 .....	17, 19, 21
Tub Support 9001156 .....	9
9001157 .....	9
9001158 .....	9
9001914 .....	11
9002052 .....	11
Tub to Drain Valve Hose 9001933 .....	41
9002085 .....	43

## V

V-Belt 9001572 .....	27
9001573 .....	27
Vent Hose 9001519 .....	91
Voltage Discharge Decal B12355001 .....	83

## W

Washer B12421401 .....	65
20290 .....	71, 73, 75
202/00111/00 .....	49, 51, 53
803615 .....	71, 73, 75

N/A items do not appear in index.



9001208	31, 33
9001209	41, 43, 71, 73, 75
9001210	27
9001212	9, 11
9001213	35, 63, 65, 71, 73, 75, 89
9001214	9, 17, 19, 21, 37, 39, 41, 43
9001215	33
9001216	19, 21, 85, 87, 89
9001217	27
9001218	23, 25
9001219	23
9001220	13, 15, 29
9001221	47
9001222	47
9001225	23, 25
9001227	45
9001228	63, 65
9001229	63, 71, 73, 75, 77, 79
9001230	49, 51, 53
9001232	49, 51, 53
9001235	19, 21, 49, 51, 53
9001236	63, 65
9001238	9, 27
9001239	13, 29
9001240	45
9001241	23, 25, 37, 39, 45
9001242	63, 65
9001243	71, 73, 75, 77, 79, 83, 85, 87, 89
9001244	47, 57
9001246	47
9001247	63, 65
9001523	57
Water Hose	
F200164	71, 73, 75
F200166	71, 73, 75
9001498	43, 71, 73, 75
9001499	41, 71, 73, 75, 91
Water Valve Adapter	
9001990	71, 73, 75
Wire Harness	
210/01064/10	47

---

