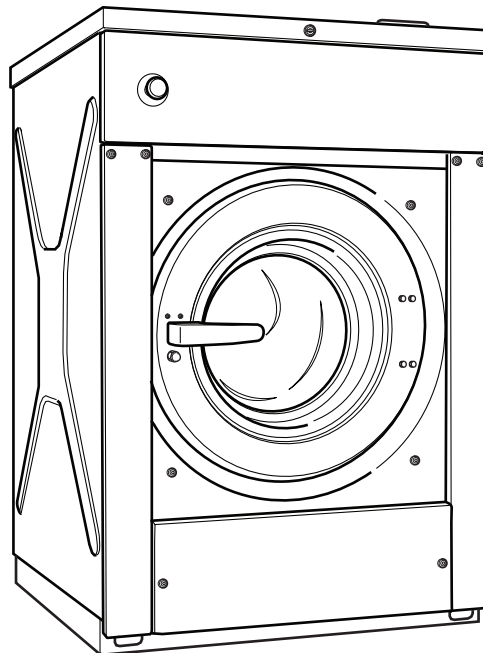


Washer-Extractors

Cabinet Freestanding

Refer to for Page 5 Model Identification



CFD644N

Installation

Original Instructions

Keep These Instructions for Future Reference.

(If this machine changes ownership, this manual must accompany machine.)



www.alliancelaundry.com

Part No. D1343ENR3
November 2012

Table of Contents

Safety Information	2
Explanation of Safety Messages.....	2
Important Safety Instructions	2
Safety Decals	4
Introduction	5
Model Identification	5
Nameplate Location.....	6
Replacement Parts	6
Customer Service.....	6
Specifications and Dimensions	7
Installation	15
Dimensional Clearances.....	15
Machine Foundation	16
Mechanical Installation.....	17
Frame Dimensions and Mounting Bolt Location For 12 lb. (60 l), 14 lb. (65 l), 18 lb. (75 l) and 25 lb. (100 l) Capacity Models	17
Frame Dimensions and Mounting Bolt Location For 30 lb. (135 l) and 35 lb. (165 l) Capacity Models.....	18
Frame Dimensions and Mounting Bolt Location For 55 lb. (235 l) and 75 lb. (305 l) Capacity Models.....	19
Mounting Bolt Installation (If Required).....	20
Removing the Transport Brackets	21
Drain Connection.....	22
Water Connection	24
Electrical Installation.....	25
Electrical Connection.....	28
Remote Liquid Supply Connection	29
Chemical Injection Supply System.....	29
Steam Requirements (Steam Heat Option Only).....	30
Supply Programming Table	31
Supply Relay Configuration (No Wiring).....	31
Primary 220 Volt Remote Liquid Supply Connection.....	31
Out-of-Balance Switch	33
Automatic Lubricator.....	33
Control Function Test	34
Disposal of Unit	35


© Copyright 2012, Alliance Laundry Systems LLC


All rights reserved. No part of the contents of this book may be reproduced or transmitted in any form or by any means without the expressed written consent of the publisher.


Safety Information

Explanation of Safety Messages

Precautionary statements (“DANGER”, “WARNING”, and “CAUTION”), followed by specific instructions, are found in this manual and on machine decals. These precautions are intended for the personal safety of the operator, user, servicer, and those maintaining the machine.

	DANGER
DANGER indicates the presence of a hazard that will cause severe personal injury, death, or substantial property damage if the danger is ignored.	

	WARNING
WARNING indicates the presence of a hazard that can cause severe personal injury, death, or substantial property damage if the warning is ignored.	


	CAUTION
CAUTION indicates the presence of a hazard that will or can cause minor personal injury or property damage if the caution is ignored.	

Additional precautionary statements (“IMPORTANT” and “NOTE”) are followed by specific instructions.

IMPORTANT: The word “IMPORTANT” is used to inform the reader of specific procedures where minor machine damage will occur if the procedure is not followed.

NOTE: The word “NOTE” is used to communicate installation, operation, maintenance or servicing information that is important but not hazard related.

Important Safety Instructions


	WARNING
To reduce the risk of fire, electric shock, serious injury or death to persons when using your washer, follow these basic precautions:	
W023	

1. Read all instructions before using the washer.
2. Install the washer according to the INSTALLATION instructions. Refer to the EARTHING (grounding) instructions in the INSTALLATION manual for the proper earthing (grounding) of the washer. All connections for water, drain, electrical power and earthing (grounding) must comply with local codes and be made by licensed personnel when required. It is recommended that the machine be installed by qualified technicians.
3. Do not install or store the washer where it will be exposed to water and/or weather.
4. To prevent fire and explosion, keep the area around machine free from flammable and combustible products. Do not add the following substances or textiles containing traces of the following substances to the wash water: gasoline, kerosene, waxes, cooking oils, vegetable oils, machine oils, dry-cleaning solvents, flammable chemicals, thinners, or other flammable or explosive substances. These substances give off vapors that could ignite, explode or cause the fabric to catch fire by itself.
5. Under certain conditions, hydrogen gas may be produced in a hot water system that has not been used for two weeks or more. HYDROGEN GAS IS EXPLOSIVE. If the hot water system has not been used for such a period, before using a washing machine or combination washer-dryer, turn on all hot water faucets and let the water flow from each for several minutes. This will release any accumulated hydrogen gas. The gas is flammable, do not smoke or use an open flame during this time.
6. To reduce the risk of an electric shock or fire, DO NOT use an extension cord or an adapter to connect the washer to the electrical power source.


7. Do not allow children to play on or in the washer. Close supervision of children is necessary when the washer is used near children. This appliance is not intended for use by young children or infirm persons without supervision. Young children should be supervised to ensure that they do not play with the appliance. This is a safety rule for all appliances.
8. DO NOT reach and/or climb into the tub or onto the washer, ESPECIALLY if the wash drum is moving. This is an imminently hazardous situation that, if not avoided, will cause severe personal injury or death.
9. Never operate the washer with any guards, panels and/or parts removed or broken. DO NOT bypass any safety devices or tamper with the controls.
10. Use washer only for its intended purpose, washing textiles. Never wash machine parts or automotive parts in the machine. This could result in serious damage to the basket or tub.
11. Use only low-sudsing, no-foaming types of commercial detergent. Be aware that hazardous chemicals may be present. Wear hand and eye protection when adding detergents and chemicals. Always read and follow manufacturer's instructions on packages of laundry and cleaning aids. Heed all warnings or precautions. To reduce the risk of poisoning or chemical burns, keep them out of the reach of children at all times (preferably in a locked cabinet).
12. Do not use fabric softeners or products to eliminate static unless recommended by the manufacturer of the fabric softener or product.
13. Always follow the fabric care instructions supplied by the textile manufacturer.
14. Loading door MUST BE CLOSED any time the washer is to fill, tumble or spin. DO NOT bypass the loading door switch by permitting the washer to operate with the loading door open. Do not attempt to open the door until the washer has drained and all moving parts have stopped.
15. Be aware that hot water is used to flush the supply dispenser. Avoid opening the dispenser lid while the machine is running.
16. Do not attach anything to the supply dispenser's nozzles, if applicable. The air gap must be maintained.
17. Do not operate the machine without the water reuse plug or water reuse system in place, if applicable.
18. Be sure water connections have a shut-off valve and that fill hose connections are tight. CLOSE the shut-off valves at the end of each wash day.
19. Keep washer in good condition. Bumping or dropping the washer can damage safety features. If this occurs, have washer checked by a qualified service person.
20. DANGER: Before inspecting or servicing machine, power supply must be turned OFF. The servicer needs to wait for at least 10 minutes after turning the power OFF and needs to check for residual voltage with a voltage meter. The inverter capacitor or EMC filter remains charged with high voltage for some time after powering OFF. This is an imminently hazardous situation that, if not avoided, will cause severe personal injury or death.
21. Do not repair or replace any part of the washer, or attempt any servicing unless specifically recommended in the user-maintenance instructions or in published user-repair instructions that the user understands and has the skills to carry out. ALWAYS disconnect the washer from electrical, power and water supplies before attempting any service.
22. Disconnect the power cord by grasping the plug, not the cord. Replace worn power cords and/or loose plugs. If the supply cord is damaged, it must be replaced by a special cord or assembly available from the service agent.
23. Before the washer is removed from service or discarded, remove the door to the washing compartment.
24. Failure to install, maintain, and/or operate this washer according to the manufacturer's instructions may result in conditions which can produce bodily injury and/or property damage.

NOTE: The WARNINGS and IMPORTANT SAFETY INSTRUCTIONS appearing in this manual are not meant to cover all possible conditions and situations that may occur. Common sense, caution and care must be exercised when installing, maintaining, or operating the washer.

Always contact your dealer, distributor, service agent or the manufacturer on any problems or conditions you do not understand.

	WARNING
<p>This machine must be installed, adjusted, and serviced by qualified electrical maintenance personnel familiar with the construction and operation of this type of machinery. They must also be familiar with the potential hazards involved. Failure to observe this warning may result in personal injury and/or equipment damage, and may void the warranty.</p> <p style="text-align: right;">SW004</p>	

IMPORTANT: Ensure that the recommended clearances for inspection and maintenance are provided. Never allow the inspection and maintenance space to be blocked.

	WARNING
<p>Never touch internal or external steam pipes, connections, or components. These surfaces can be extremely hot and will cause severe burns. The steam must be turned off and the pipe, connections, and components allowed to cool before the pipe can be touched.</p> <p style="text-align: right;">SW014</p>	

Safety Decals

Safety decals appear at crucial locations on the machine. Failure to maintain legible safety decals could result in injury to the operator or service technician.

Use manufacturer-authorized spare parts to avoid safety hazards.

Introduction

Model Identification

Information in this manual is applicable to these models:

CS018	CXW305	IS055	IXZ075	PXU065Y
CS025	CXZ060	IS075	IXZ100	PXU075Y
CS035	CXZ065	IS100	IXZ135	PXU100Y
CS055	CXZ075	IS135	IXZ165	PXU135Y
CS075	CXZ100	IS165	IXZ235	PXU165Y
CS100	CXZ135	IXG060	IXZ305	PXU235Y
CS135	CXZ165	IXG065	JXW060C	PXU305Y
CS165	CXZ235	IXG075	JXW060X	SX18
CXG060	CXZ305	IXG100	JXW060Y	SX25
CXG065	DXU060X	IXG135	JXW060Z	SX35
CXG075	DXU065X	IXG165	JXW065C	SX55
CXG100	DXU075X	IXG235	JXW065X	SX75
CXG135	DXU100X	IXG305	JXW065Y	SXN075P
CXG165	DXU135X	IXN060	JXW065Z	SXN100P
CXG235	DXU165X	IXN065	JXW075C	SXN165P
CXG305	DXU235X	IXN075	JXW075X	SXN235P
CXN060	DXU305X	IXN100	JXW075Y	SXN305P
CXN065	HD60	IXN135	JXW075Z	UX18
CXN075	HD65	IXN165	JXW100C	UX25
CXN100	HD75	IXN235	JXW100X	UX35
CXN135	HD100	IXN305	JXW100Y	UX55
CXN165	HD135	IXU060	JXW100Z	UX75
CXN235	HD165	IXU065	JXW135C	UXN075P
CXN305	HD235	IXU075	JXW135X	UXN100P
CXU060	HD305	IXU100	JXW135Y	UXN165P
CXU065	HX18	IXU135	JXW135Z	UXN235P
CXU075	HX25	IXU165	JXW165C	UXN305P
CXU100	HX35	IXU235	JXW165X	WXU060C
CXU135	HX55	IXU305	JXW165Y	WXU065C
CXU165	HX75	IXW060	JXW165Z	WXU075C
CXU235	HXN075P	IXW065	JXW235C	WXU100C
CXU305	HXN100P	IXW075	JXW235X	WXU135C
CXW060	HXN165P	IXW100	JXW235Y	WXU165C
CXW065	HXN235P	IXW135	JXW235Z	WXU235C
CXW075	HXN305P	IXW165	JXW305C	WXU305C
CXW100	IS012	IXW235	JXW305X	
CXW135	IS018	IXW305	JXW305Y	
CXW165	IS025	IXZ060	JXW305Z	
CXW235	IS035	IXZ065	PXU060Y	

Introduction

Nameplate Location

The nameplate is located at the rear of the machine. Always provide the machine's serial number and model number when ordering parts or when seeking technical assistance. Refer to *Figure 1*.

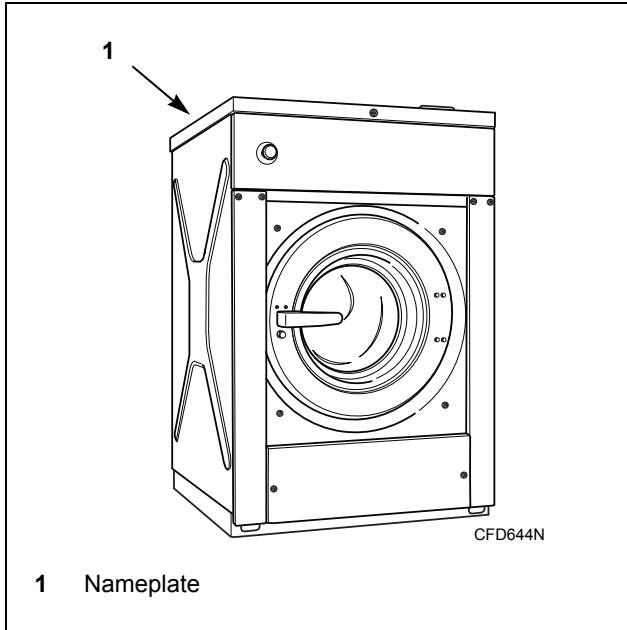


Figure 1

Replacement Parts

If literature or replacement parts are required, contact the source from which the machine was purchased or contact Alliance Laundry Systems at +1 (920) 748-3950 for the name and address of the nearest authorized parts distributor.

Customer Service

For technical assistance, contact your local distributor or contact:

Alliance Laundry Systems
Shepard Street
P.O. Box 990
Ripon, Wisconsin 54971-0990
U.S.A.

www.alliancelaundry.com

Phone: +1 (920) 748-3121

+32 56 41 20 54

Wevelgem, Belgium

Specifications and Dimensions

General Specifications								
Capacity lb. (l)	12 (60)	14 (65)	18 (75)	25 (100)	30 (135)	35 (165)	55 (235)	75 (305)
Overall Dimensions								
Overall width	26 in. (660 mm)	26 in. (660 mm)	30.71 in. (780 mm)	30.71 in. (780 mm)	30.8 in. (783 mm)	30.71 in. (780 mm)	26 in. (660 mm)	26 in. (660 mm)
Overall height	40.6 in. (1031 mm)	40.6 in. (1031 mm)	47.3 in. (1202 mm)	54.15 in. (1376 mm)	47 in. (1194 mm)	54.15 in. (1376 mm)	40.6 in. (1031 mm)	40.6 in. (1031 mm)
Overall depth	30.7 in. (780 mm)	34.3 in. (870 mm)	33.1 in. (842 mm)	33.07 in. (840 mm)	37.8 in. (960 mm)	37.01 in. (940 mm)	30.7 in. (780 mm)	34.3 in. (870 mm)
Weight and Shipping Information								
Net weight	465 lb. (211 kg)	520 lb. (236 kg)	716.5 lb. (325 kg)	811.30 lb. (368 kg)	789 lb. (358 kg)	862.01 lb. (391 kg)	465 lb. (211 kg)	520 lb. (236 kg)
Net weight	520 lb. (236 kg)	531 lb. (241 kg)	N/A	N/A	765 lb. (347 kg)	N/A	520 lb. (236 kg)	531 lb. (241 kg)
Shipping weight	514 lb. (233 kg)	569 lb. (258 kg)	782.6 lb. (355 kg)	844.37 lb. (383 kg)	855 lb. (388 kg)	921.53 lb. (418 kg)	514 lb. (233 kg)	569 lb. (258 kg)
Shipping weight	624 lb. (283 kg)	639.5 lb. (290 kg)	N/A	N/A	1030 lb. (467 kg)	N/A	624 lb. (283 kg)	639.5 lb. (290 kg)
Shipping volume	22.5 ft ³ (0.8 m ³)	24.5 ft ³ (0.9 m ³)	34.7 ft ³ (1.3 m ³)	42.83 ft ³ (1.21 m ³)	34.7 ft ³ (1.3 m ³)	45.98 ft ³ (1.3 m ³)	22.5 ft ³ (0.8 m ³)	24.5 ft ³ (0.9 m ³)
Wash Cylinder Information								
Cylinder diameter	20.9 in. (530 mm)	20.9 in. (530 mm)	20.9 in. (530 mm)	20.9 in. (530 mm)	25.6 in. (650 mm)	25.6 in. (650 mm)	29.5 in. (750 mm)	33.5 in. (850 mm)
Cylinder depth	9.8 in. (250 mm)	11.6 in. (295 mm)	13.0 in. (330 mm)	17.3 in. (440 mm)	15.7 in. (400 mm)	19.7 in. (500 mm)	20.9 in. (530 mm)	21.1 in. (537 mm)
Cylinder volume	1.94 ft ³ (55 l)	2.30 ft ³ (65 l)	2.58 ft ³ (73 l)	3.35 ft ³ (95 l)	4.66 ft ³ (132 l)	5.83 ft ³ (165 l)	8.26 ft ³ (234 l)	10.74 ft ³ (304 l)
Perforation size	0.1 in. (3 mm)	0.1 in. (3 mm)	0.12 in. (3 mm)	0.1 in. (3 mm)	0.1 in. (3 mm)	0.1 in. (3 mm)	0.1 in. (3 mm)	0.1 in. (3 mm)
Door Opening Information								
Door opening size	11.8 in. (300 mm)	11.8 in. (300 mm)	11.8 in. (300 mm)	11.8 in. (300 mm)	15.75 in. (400 mm)	15.75 in. (400 mm)	15.75 in. (400 mm)	15.75 in. (400 mm)
Height of door bottom above floor	11 in. (279 mm)	11 in. (279 mm)	11 in. (279 mm)	11 in. (279 mm)	11.61 in. (295 mm)	11.61 in. (295 mm)	20.87 in. (530 mm)	22.24 in. (565 mm)

Specifications and Dimensions

General Specifications								
Capacity lb. (l)	12 (60)	14 (65)	18 (75)	25 (100)	30 (135)	35 (165)	55 (235)	75 (305)
Drive Train Information								
Number of motors in drive train	1	1	1	1	1	1		
Drive motor power	1.01 HP (0.75 kW)	1.01 HP (0.75 kW)	1.01 HP (0.75 kW)	1.01 HP (0.75 kW)	2.95 HP (2.2 kW)	2.95 HP (2.2 kW)	4.02 HP (3 kW)	5.36 HP (4 kW)
Cylinder Speeds								
Wash/reverse speed	10-50 RPM	10-50 RPM	10-50 RPM	10-50 RPM	10-50 RPM	10-50 RPM	10-50 RPM	10-50 RPM
Distribution/drain speed	85 RPM	82 RPM	85 RPM	85 RPM	74 RPM	85 RPM	85 RPM	82 RPM
Extract speed	250-1000 RPM	250-1000 RPM	250-1000 RPM	250-1000 RPM	250-1000 RPM	250-1000 RPM	250-1000 RPM	250-1000 RPM
Centrifugal Force Data								
Wash/reverse centrifugal force	0.03-0.74 Gs	0.03-0.74 Gs	0.4-0.91 Gs	0.37-0.94 Gs	0.04-0.91 Gs	0.37-0.94 Gs	0.03-0.74 Gs	0.03-0.74 Gs
Extract centrifugal force	19-296 Gs	19-296 Gs	23-363 Gs	24-377 Gs	23-363 Gs	24-377 Gs	NO DATA	NO DATA
Balance Detection								
Vibration safety switch installed	Standard	Standard	Standard	Standard	Standard	Standard	Standard	Standard
Direct Steam Heating (Optional)								
Steam inlet connection size	1 x 3/8 in.	1 x 3/8 in.	1 x 3/8 in.	1 x 3/8 in.	1 x 3/8 in.	1 x 3/8 in.	1 x 3/8 in.	1 x 3/8 in.
Number of steam inlets	1	1	1	1	1	1	1	1
Electrical Heating (Optional)								
Total electrical heating capacity	9 kW	9 kW	9 kW	9 kW	18 kW	18 kW	18 kW	18 kW
Electrical heating elements	3	3	3	3	6	6	6	6
Electrical heat element size	3 kW	3 kW	3 kW	3 kW	3 kW	3kW	3 kW	3 kW

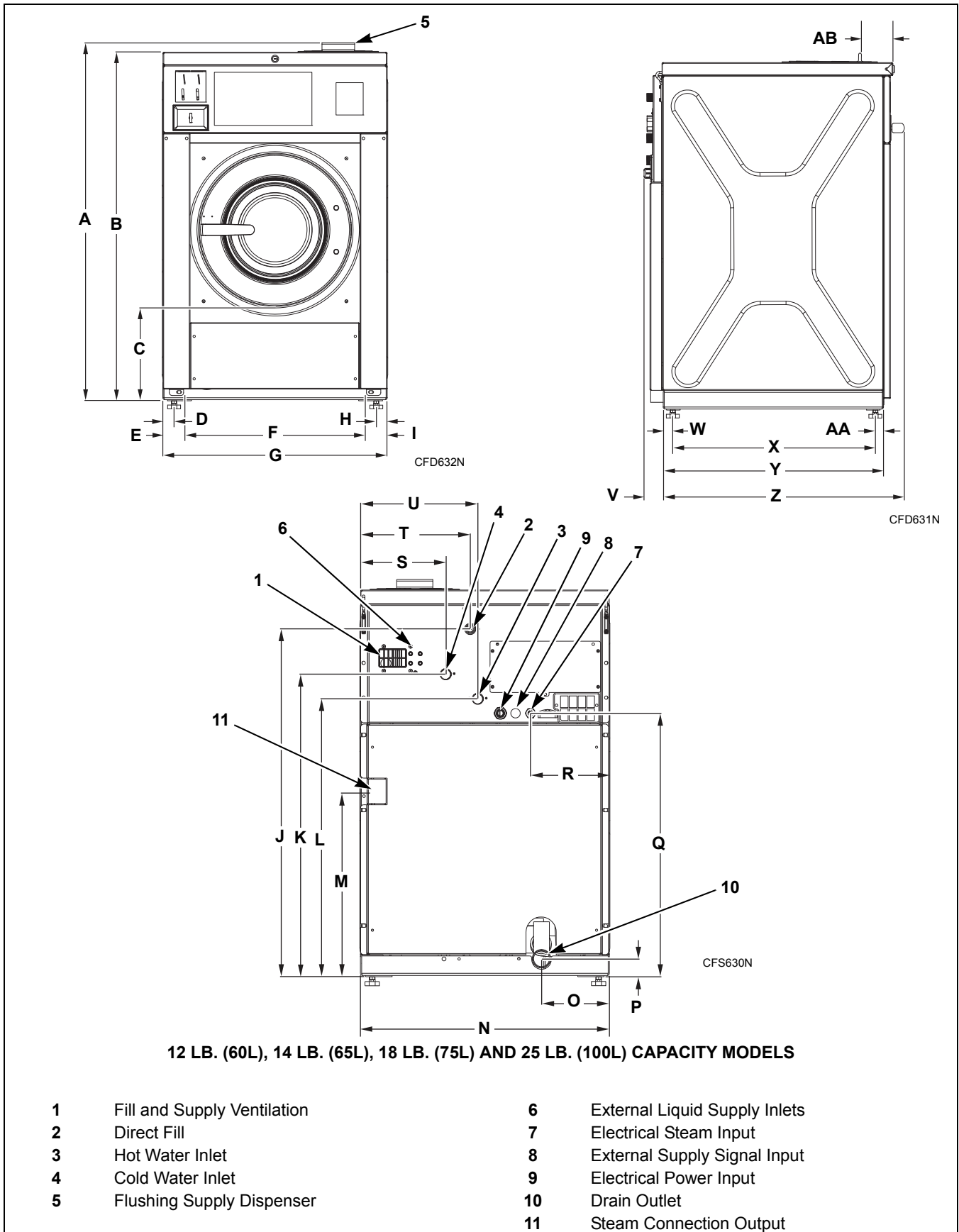


Figure 2

Specifications and Dimensions

Machine Capacity lb. (l)				
	12 (60)	14 (65)	18 (75)	25 (100)
A	1054 mm (41.5 in.)	1054 mm (41.5 in.)	1054 mm (41.5 in.)	1054 mm (41.5 in.)
B	1024 mm (40.3 in.)	1024 mm (40.3 in.)	1024 mm (40.3 in.)	1024 mm (40.3 in.)
C	275 mm (10.8 in.)	275 mm (10.8 in.)	275 mm (10.8 in.)	275 mm (10.8 in.)
D	33 mm (1.3 in.)	33 mm (1.3 in.)	33 mm (1.3 in.)	33 mm (1.3 in.)
E	65 mm (2.6 in.)	65 mm (2.6 in.)	65 mm (2.6 in.)	65 mm (2.6 in.)
F	530 mm (20.9 in.)	530 mm (20.9 in.)	530 mm (20.9 in.)	530 mm (20.9 in.)
G	660 mm (26.0 in.)	660 mm (26.0 in.)	660 mm (26.0 in.)	660 mm (26.0 in.)
H	33 mm (1.3 in.)	33 mm (1.3 in.)	33 mm (1.3 in.)	33 mm (1.3 in.)
I	65 mm (2.6 in.)	65 mm (2.6 in.)	65 mm (2.6 in.)	65 mm (2.6 in.)
J	921 mm (36.3 in.)	921 mm (36.3 in.)	921 mm (36.3 in.)	921 mm (36.3 in.)
K	801 mm (31.6 in.)	801 mm (31.6 in.)	801 mm (31.6 in.)	801 mm (31.6 in.)
L	736 mm (29.0 in.)	736 mm (29.0 in.)	736 mm (29.0 in.)	736 mm (29.0 in.)
M	490 mm (19.3 in.)	490 mm (19.3 in.)	490 mm (19.3 in.)	490 mm (19.3 in.)
N	660 mm (26.0 in.)	660 mm (26.0 in.)	660 mm (26.0 in.)	660 mm (26.0 in.)
O	180 mm (7.1 in.)	180 mm (7.1 in.)	180 mm (7.1 in.)	180 mm (7.1 in.)
P	47.5 mm (1.9 in.)	47.5 mm (1.9 in.)	47.5 mm (1.9 in.)	47.5 mm (1.9 in.)
Q	698 mm (27.5 in.)	698 mm (27.5 in.)	698 mm (27.5 in.)	698 mm (27.5 in.)
R	209 mm (8.2 in.)	209 mm (8.2 in.)	209 mm (8.2 in.)	209 mm (8.2 in.)
S	226 mm (8.9 in.)	226 mm (8.9 in.)	226 mm (8.9 in.)	226 mm (8.9 in.)
T	291 mm (11.5 in.)	291 mm (11.5 in.)	291 mm (11.5 in.)	291 mm (11.5 in.)
U	311 mm (12.2 in.)	311 mm (12.2 in.)	311 mm (12.2 in.)	311 mm (12.2 in.)
V	51.5 mm (2.0 in.)	51.5 mm (2.0 in.)	51.5 mm (2.0 in.)	51.5 mm (2.0 in.)
W	30 mm (1.2 in.)	30 mm (1.2 in.)	30 mm (1.2 in.)	30 mm (1.2 in.)
X	590 mm (23.2 in.)	590 mm (23.2 in.)	590 mm (23.2 in.)	690 mm (27.2 in.)
Y	650 mm (25.6 in.)	650 mm (25.6 in.)	650 mm (25.6 in.)	750 mm (29.5 in.)
Z	711 mm (28.0 in.)	711 mm (28.0 in.)	711 mm (28.0 in.)	811 mm (31.9 in.)
AA	30.6 mm (1.2 in.)	30.6 mm (1.2 in.)	30.6 mm (1.2 in.)	30.6 mm (1.2 in.)
AB	92.9 mm (3.7 in.)	92.9 mm (3.7 in.)	92.9 mm (3.7 in.)	92.9 mm (3.7 in.)

Table 1

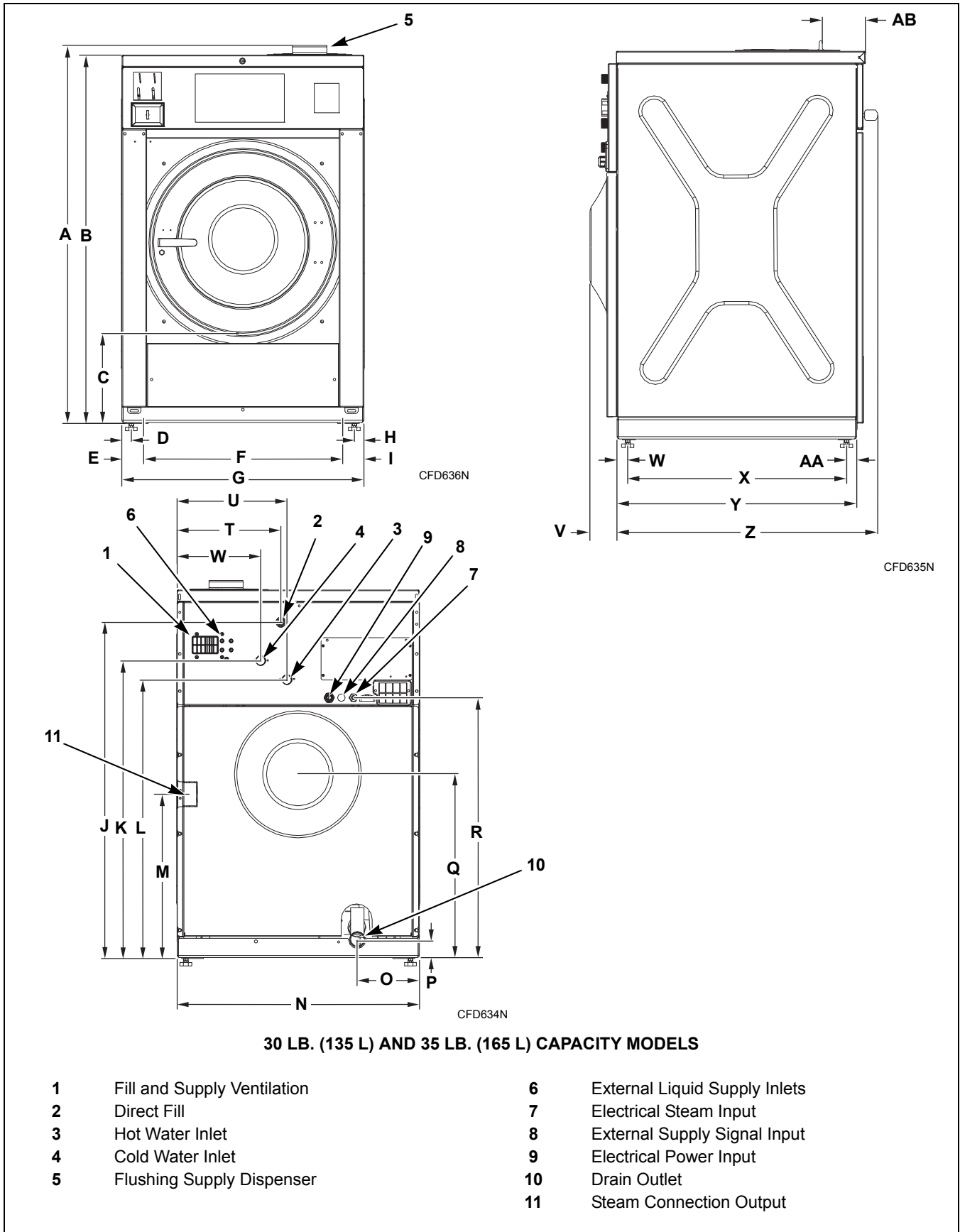
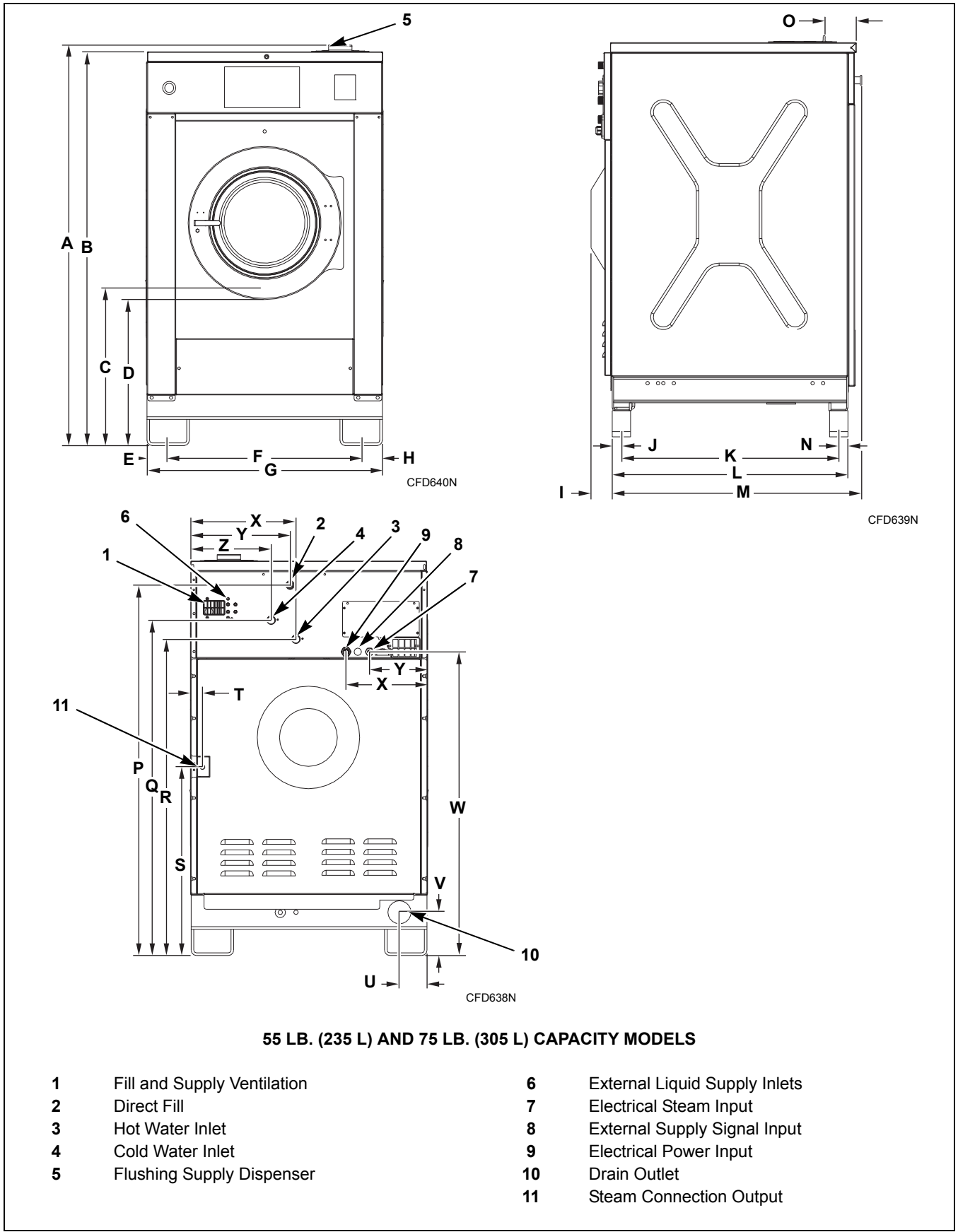


Figure 3

Specifications and Dimensions

Machine Capacity lb. (l)		
	30 (135)	35 (165)
A	1216 mm (47.9 in.)	1216 mm (47.9 in.)
B	1186 mm (46.7 in.)	1186 mm (46.7 in.)
C	290 mm (11.4 in.)	290 mm (11.4 in.)
D	34 mm (1.3 in.)	34 mm (1.3 in.)
E	66 mm (2.6 in.)	66 mm (2.6 in.)
F	648 mm (25.5 in.)	648 mm (25.5 in.)
G	780 mm (30.7 in.)	780 mm (30.7 in.)
H	34 mm (1.3 in.)	34 mm (1.3 in.)
I	66 mm (2.6 in.)	66 mm (2.6 in.)
J	1083 mm (42.6 in.)	1083 mm (42.6 in.)
K	958 mm (37.7 in.)	958 mm (37.7 in.)
L	898 mm (35.4 in.)	898 mm (35.4 in.)
M	529 mm (20.8 in.)	529 mm (20.8 in.)
N	780 mm (30.7 in.)	780 mm (30.7 in.)
O	155 mm (6.1 in.)	155 mm (6.1 in.)
P	87 mm (3.4 in.)	87 mm (3.4 in.)
Q	97.9 mm (3.9 in.)	97.9 mm (3.9 in.)
R	841 mm (33.1 in.)	841 mm (33.1 in.)
S	269 mm (10.6 in.)	269 mm (10.6 in.)
T	334 mm (13.1 in.)	334 mm (13.1 in.)
U	354 mm (13.9 in.)	354 mm (13.9 in.)
V	81.4 mm (3.2 in.)	81.4 mm (3.2 in.)
W	36.5 mm (1.4 in.)	36.5 mm (1.4 in.)
X	765 mm (30.1 in.)	765 mm (30.1 in.)
Y	838 mm (33.0 in.)	838 mm (33.0 in.)
Z	899 mm (35.4 in.)	899 mm (35.4 in.)
AA	36.5 mm (1.4 in.)	36.5 mm (1.4 in.)
AB	92.9 mm (3.7 in.)	92.9 mm (3.7 in.)

Table 2



55 LB. (235 L) AND 75 LB. (305 L) CAPACITY MODELS

- | | |
|---|--|
| <ul style="list-style-type: none"> 1 Fill and Supply Ventilation 2 Direct Fill 3 Hot Water Inlet 4 Cold Water Inlet 5 Flushing Supply Dispenser | <ul style="list-style-type: none"> 6 External Liquid Supply Inlets 7 Electrical Steam Input 8 External Supply Signal Input 9 Electrical Power Input 10 Drain Outlet 11 Steam Connection Output |
|---|--|

Figure 4

Specifications and Dimensions

Machine Capacity lb. (l)		
	55 (235)	75 (305)
A	1535 mm (60.4 in.)	1535 mm (60.4 in.)
B	1505 mm (59.3 in.)	1505 mm (59.3 in.)
C	290 mm (11.4 in.)	290 mm (11.4 in.)
D	558 mm (22.0 in.)	558 mm (22.0 in.)
E	81 mm (3.2 in.)	81 mm (3.2 in.)
F	738 mm (29.1 in.)	738 mm (29.1 in.)
G	900 mm (35.4 in.)	900 mm (35.4 in.)
H	81 mm (3.2 in.)	81 mm (3.2 in.)
I	81 mm (3.2 in.)	81 mm (3.2 in.)
J	35 mm (1.4 in.)	35 mm (1.4 in.)
K	830 mm (32.7 in.)	830 mm (32.7 in.)
L	81 mm (3.2 in.)	81 mm (3.2 in.)
M	959 mm (37.8 in.)	959 mm (37.8 in.)
N	35 mm (1.4 in.)	35 mm (1.4 in.)
O	92.9 mm (3.7 in.)	92.9 mm (3.7 in.)
P	1402 mm (55.2 in.)	1402 mm (55.2 in.)
Q	1277 mm (50.3 in.)	1277 mm (50.3 in.)
R	1217 mm (47.9 in.)	1217 mm (47.9 in.)
S	721 mm (28.4 in.)	721 mm (28.4 in.)
T	49.5 mm (2.0 in.)	49.5 mm (2.0 in.)
U	105 mm (4.1 in.)	105 mm (4.1 in.)
V	165 mm (6.5 in.)	165 mm (6.5 in.)
W	1161 mm (45.7 in.)	1161 mm (45.7 in.)
X	370 mm (14.6 in.)	370 mm (14.6 in.)
Y	350 mm (13.8 in.)	350 mm (13.8 in.)
Z	285 mm (11.2 in.)	285 mm (11.2 in.)

Table 3

Installation

Dimensional Clearances

Table 4 shows recommended minimum clearances on all sides of the machine.


Recommended Minimum Clearances								
Capacity lb. (l)	12 (60)	14 (65)	18 (75)	25 (100)	30 (135)	35 (165)	55 (235)	75 (305)
Minimum rear clearance	24 in. (600 mm)	24 in. (600 mm)	24 in. (600 mm)	24 in. (600 mm)	24 in. (600 mm)	24 in. (600 mm)	24 in. (600 mm)	24 in. (600 mm)
Minimum clearance between machine and wall	6 in. (150 mm)	6 in. (150 mm)	6 in. (150 mm)	6 in. (150 mm)	6 in. (150 mm)	6 in. (150 mm)	6 in. (150 mm)	6 in. (150 mm)
Minimum clearance between machines (side)	1.2 in. (30 mm)	1.2 in. (30 mm)	1 in. (25.4 mm)	1.2 in. (30 mm)	1.2 in. (30 mm)	1.2 in. (30 mm)	1.2 in. (30 mm)	1.2 in. (30 mm)
Minimum front clearance (door swing)	16.5 in. (419 mm)	16.5 in. (419 mm)	16.5 in. (419 mm)	21 in. (533 mm)	16.5 in. (419 mm)	21 in. (533 mm)	21 in. (533 mm)	21 in. (533 mm)

Table 4

Installation

Machine Foundation

Thoroughness of detail must be stressed with all foundation work to ensure a stable unit installation, eliminating possibilities of excessive vibration during extract.

	CAUTION
<p>Ensure that the machine is installed on a level floor of sufficient strength and that the recommended clearances for inspection and maintenance are provided. Never allow the inspection and maintenance space to be blocked.</p>	
W488	

The machine must be placed on a smooth level surface so that the entire base of the machine is supported and rests on the mounting surface.

The standard installation does not require anchoring unless mandated by state or local codes.

Static and dynamic loads on the floor or foundation are shown in *Table 5*.

Table 5 can be used as a reference when designing floors and foundations.

If installing a foundation and pad, prepare a form for the above-ground portion of the foundation. Verify that the top of the foundation is level. The height of the foundation and pad must not exceed 8 inches (203 mm) above the existing floor.

IMPORTANT: Mounting bolts MUST be used for installation on the models with capacity of 12 lb. (60 l), 14 lb. (65 l), 18 lb. (75 l) 25 lb. (100 l) 30 lb. (135 l) and 35 lb. (165 l) models equipped with steam heat and models installed on metal base frames. Refer to Mounting Bolt Installation.

Floor Load Data								
Capacity lb. (l)	12 (60)	14 (65)	18 (75)	25 (100)	30 (135)	35 (165)	55 (235)	75 (305)
Kinetic Energy of the Cylinder, (N/m)	12488	9075	10024	12538	25900	31315	65604	97806
Dynamic Bottom Load, (N/Hz)	520/21	570/16	550/16	538/16	1100/16	1450/16	2300/15	2340/15

Table 5

Mechanical Installation

Frame Dimensions and Mounting Bolt Location For 12 lb. (60 l), 14 lb. (65 l), 18 lb. (75 l) and 25 lb. (100 l) Capacity Models

IMPORTANT: Drawings are not to scale.

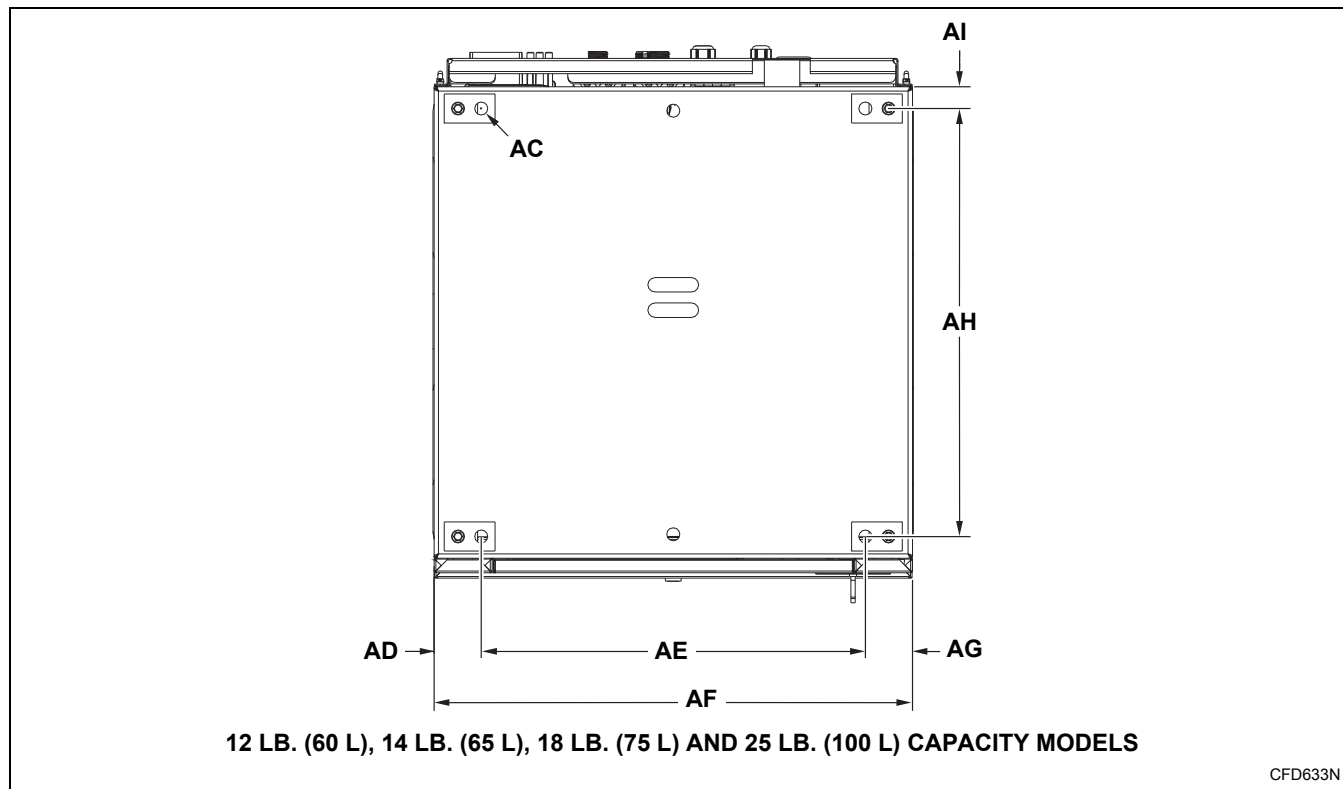


Figure 5

Machine Capacity lb. (l)				
	12 (60)	14 (65)	18 (75)	25 (100)
AC	diam. 18 mm (0.71 in.)	diam. 18 mm (0.71 in.)	diam. 18 mm (0.71 in.)	diam. 18 mm (0.71 in.)
AD	65 mm (2.6 in.)	65 mm (2.6 in.)	65 mm (2.6 in.)	65 mm (2.6 in.)
AE	530 mm (20.9 in.)	530 mm (20.9 in.)	530 mm (20.9 in.)	530 mm (20.9 in.)
AF	660 mm (26.0 in.)	660 mm (26.0 in.)	660 mm (26.0 in.)	660 mm (26.0 in.)
AG	65 mm (2.6 in.)	65 mm (2.6 in.)	65 mm (2.6 in.)	65 mm (2.6 in.)
AH	590 mm (23.2 in.)	590 mm (23.2 in.)	590 mm (23.2 in.)	690 mm (27.2 in.)
AI	30 mm (1.2 in.)	30 mm (1.2 in.)	30 mm (1.2 in.)	30 mm (1.2 in.)

Table 6

Installation

Frame Dimensions and Mounting Bolt Location For 30 lb. (135 l) and 35 lb. (165 l) Capacity Models

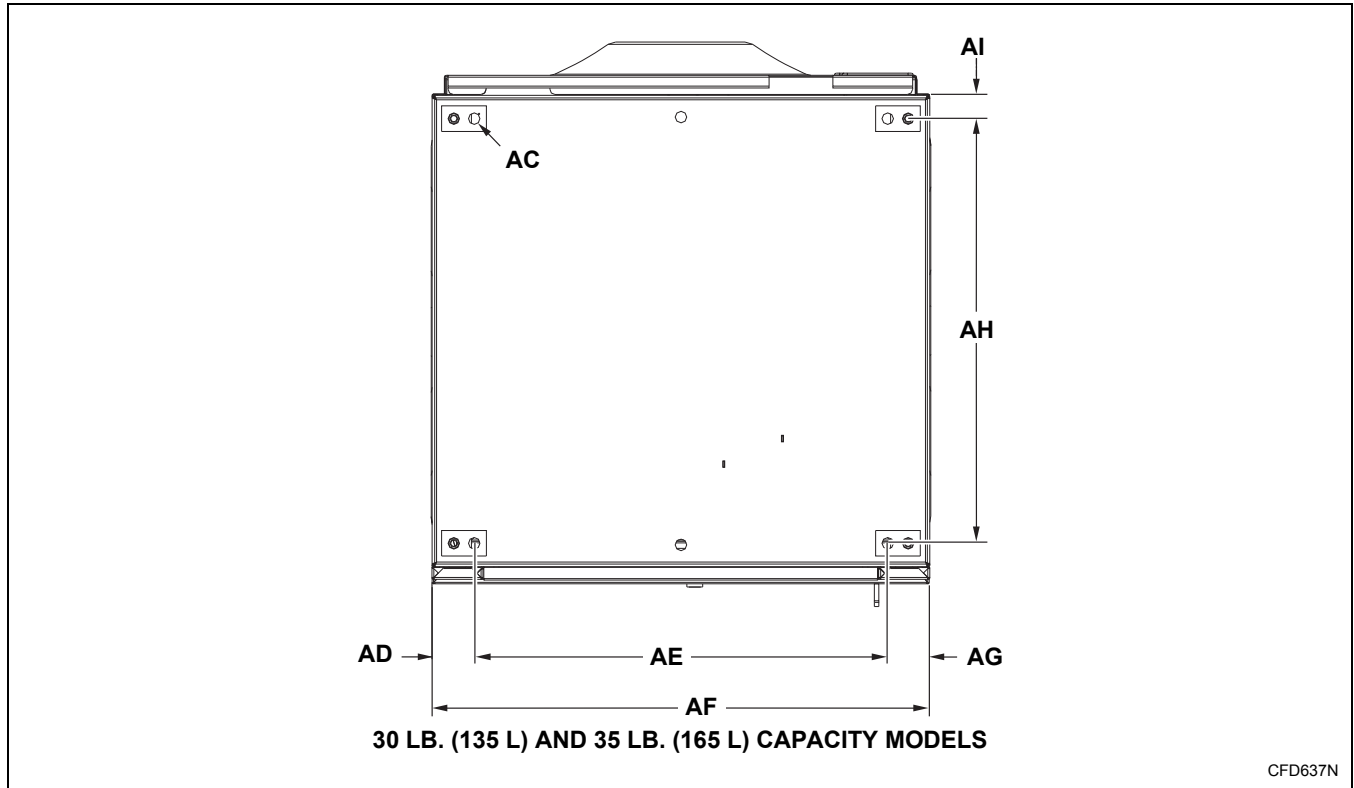


Figure 6

Machine Capacity lb. (l)		
	30 (135)	35 (165)
AC	diam. 18 mm (0.71 in.)	diam. 18 mm (0.71 in.)
AD	66 mm (2.6 in.)	66 mm (2.6 in.)
AE	648 mm (25.5 in.)	648 mm (25.5 in.)
AF	780 mm (30.7 in.)	780 mm (30.7 in.)
AG	66 mm (2.6 in.)	66 mm (2.6 in.)
AH	765 mm (30.1 in.)	765 mm (30.1 in.)
AI	36.5 mm (1.4 in.)	36.5 mm (1.4 in.)

Table 7

Frame Dimensions and Mounting Bolt Location For 55 lb. (235 l) and 75 lb. (305 l) Capacity Models

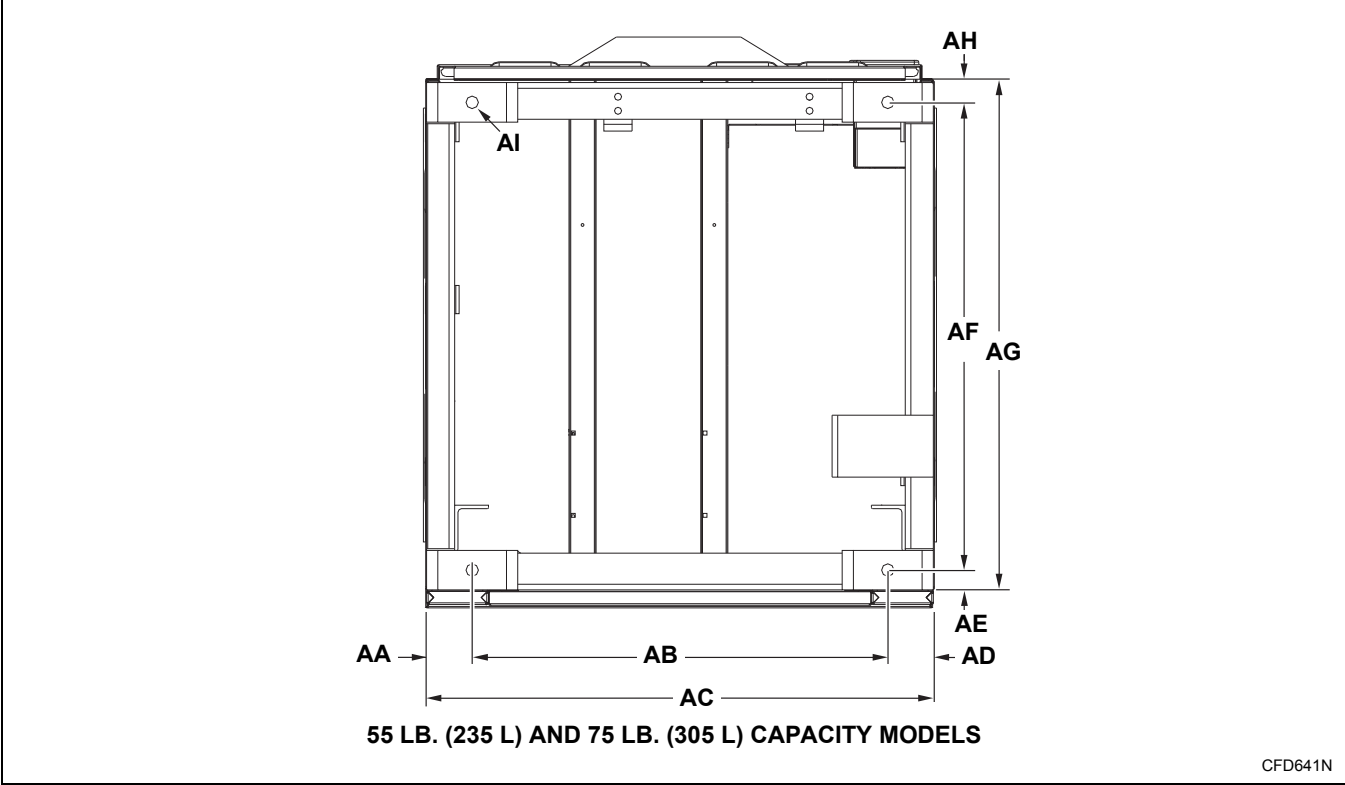


Figure 7

Machine Capacity lb. (l)		
	55 (235)	75 (305)
AA	81 mm (3.2 in.)	81 mm (3.2 in.)
AB	738 mm (29.1 in.)	738 mm (29.1 in.)
AC	900 mm (35.4 in.)	900 mm (35.4 in.)
AD	81 mm (3.2 in.)	81 mm (3.2 in.)
AE	35 mm (1.4 in.)	35 mm (1.4 in.)
AF	830 mm (32.7 in.)	830 mm (32.7 in.)
AG	900 mm (35.4 in.)	900 mm (35.4 in.)
AH	35 mm (1.4 in.)	35 mm (1.4 in.)
AI	diam. 22 mm (0.87 in.)	diam. 22 mm (0.87 in.)

Table 8

Mounting Bolt Installation (If Required)

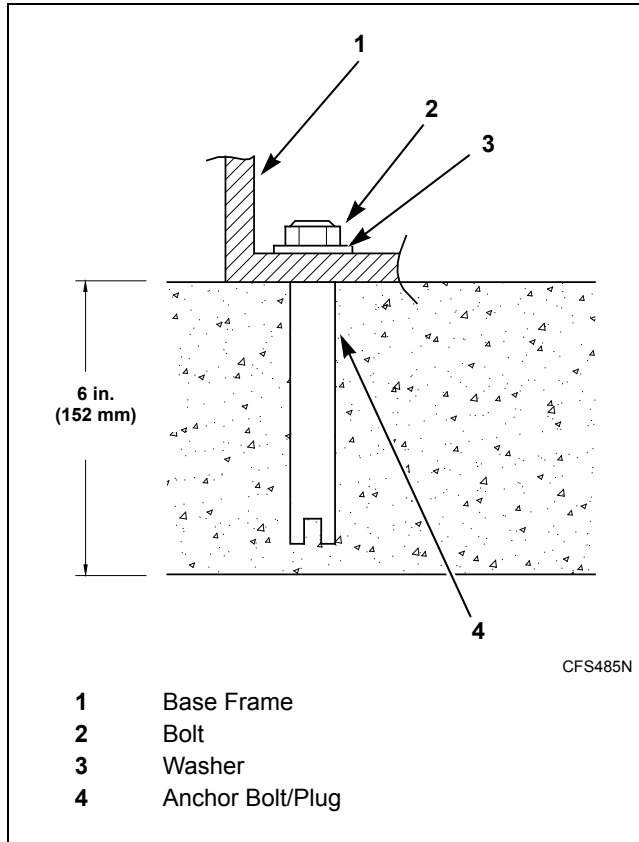


Figure 8

After the concrete has cured and the anchors are installed, proceed as follows:

1. Place the machine adjacent to the foundation. Do not attempt to move it by pushing on the sides. Always insert a pry bar or other device under the bottom of the frame of the washer-extractor to move it.
2. Place the machine carefully over the anchors.

3. Put bolts through the machine in the anchors and fasten them. For the 12 lb. (60 l), 14 lb. (65 l), 18 lb. (75 l), 25 lb. (100 l), 30 lb. (135 l) and 35 lb. (165 l) capacity models, the diameter of the bolt must be minimum 1/2-13 or 12 mm; for the 55 lb. (235 l) and 75 lb. (305 l) capacity models, the diameter of the bolt must be minimum 5/8-11 or 16 mm.
4. To level machine, fill the spaces between the machine base and floor with machinery grout. Grout completely under all frame members. Remove front and rear panels to gain access to all frame members. Force grout under the machine base until all voids are filled.
5. Allow machine grout to set, but not cure.
6. Remove the spacers carefully, allowing the machine to settle into the wet grout.
7. Position washers and locknuts on machinery anchor bolts and finger-tighten to machine base.
8. After the grout is completely cured, tighten the locknuts by even increments – one after the other – until all are tightened evenly and the machine is fastened securely to the floor.
9. Remove the four red transport brackets which secure the moving components of the machine during shipping. Refer to *Figure 9* and *Figure 10* for typical transport bracket locations.

Removing the Transport Brackets

To prevent damage during transportation, the machine has been equipped with four red transport brackets (refer to *Figure 9* for 12 lb. (60 l), 14 lb. (65 l), 18 lb. (75 l), 25 lb. (100 l), 30 lb. (135 l) and 35 lb. (165 l) capacity models; refer to *Figure 10* for 55 lb. (235 l) and 75 lb. (305 l) capacity models [depending on model number]) to eliminate every possible movement of the tub.

After the machine has been placed level, take off the service panels and the back panel to remove these transport brackets.

For 12 lb. (60 l), 14 lb. (65 l), 18 lb. (75 l), 25 lb. (100 l), 30 lb. (135 l) and 35 lb. (165 l) capacity models, remove the panel braces. Refer to *Figure 9*.



WARNING

The machine must never be activated before removing these transport brackets.

W489

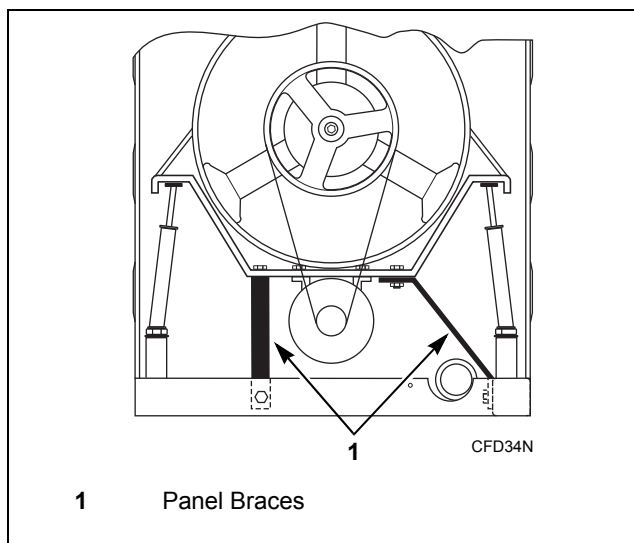


Figure 9

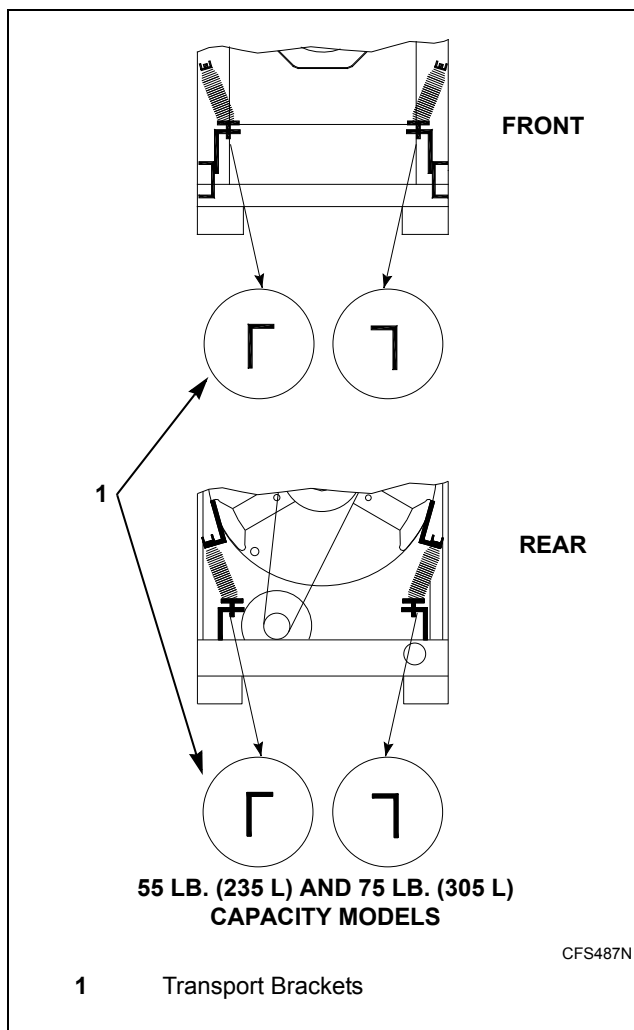


Figure 10

Installation

Drain Connection

A drain system of adequate capacity is essential to machine performance.

The water should empty through a vented pipe directly into a sump or floor drain.

Figure 11 shows drain line and drain trough configurations.

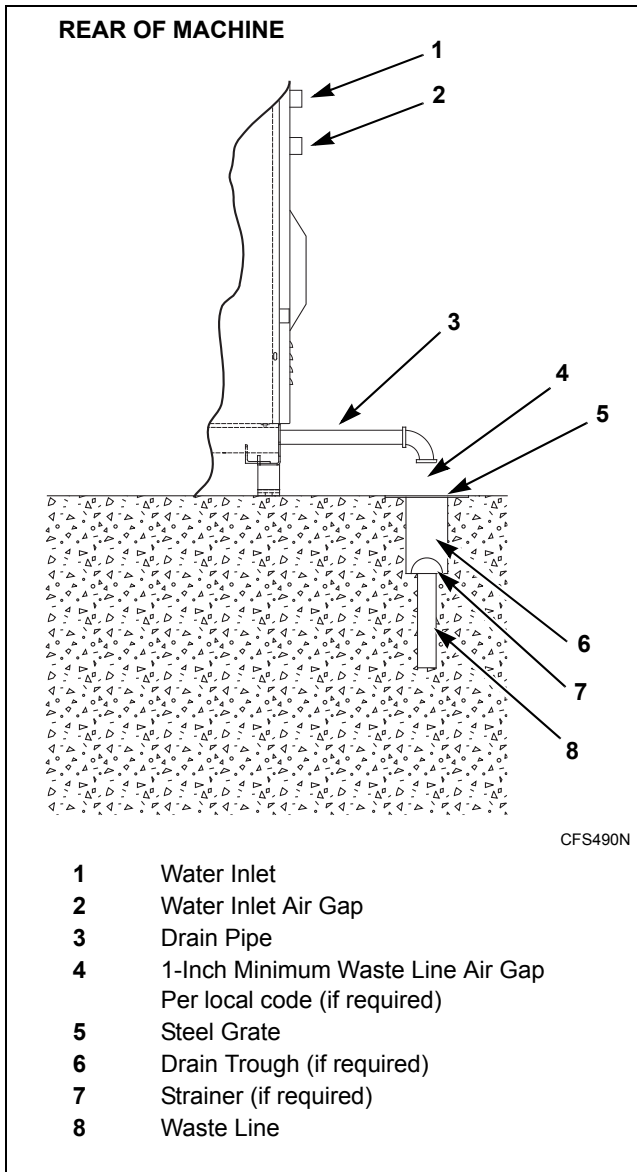


Figure 11

A flexible connection must be made to a vented or air gap drain system to prevent an air lock and siphoning.

If proper drain size is not available or practical, a surge tank is required. A surge tank along with with a sump pump should be used when gravity drainage is not possible.

IMPORTANT: Machine must be installed in accordance with all local codes and ordinances.

Before any deviation from specified installation procedures is attempted, the customer or installer should contact the distributor.

Increasing the drain hose length, installing elbows, or causing bends will impair machine performance.

Refer to *Table 9* for capacity-specific drain information.

NOTE: Installation of additional machines will require proportionately larger drain connections. Refer to *Table 10*.

Drain Information								
Capacity lb. (l)	12 (60)	14 (65)	18 (75)	25 (100)	30 (135)	35 (165)	55 (235)	75 (305)
Drain connection size, ID	2 in. (51 mm)	2 in. (51 mm)	2 in. (51 mm)	2 in. (50 mm)	3 in. (76.2 mm)	3 in. (76.2 mm)	3 in. (76.2 mm)	3 in. (76.2 mm)
Number of drain outlets	1	1	1	1	1	1	1	1
Drain flow capacity	21.13 gal/min (80 l/min)	21.13 gal/min (80 l/min)	20 gal/min (76 l/min)	21.13 gal/min (80 l/min)	73 gal/min (280 l/min)	73 gal/min (280 l/min)	73 gal/min (280 l/min)	73 gal/min (280 l/min)
Recom-mended drain pit size	2.11 ft ³ (60 l)	2.3 ft ³ (65 l)	2.6 ft ³ (75 l)	3.53 ft ³ (100 l)	4.7 ft ³ (135 l)	5.8 ft ³ (165 l)	8.3 ft ³ (235 l)	11 ft ³ (304 l)

Table 9

Drain Line Sizing Minimum Drain ID							
Capacity lb. (l)	Number of Machines						
	1	2	3	4	5	6	7
12 (60)	2 in. (51 mm)	3 in. (76.2 mm)	3.5 in. (88 mm)	4 in. (102 mm)	4.5 in. (114 mm)	5 in. (124 mm)	5.5 in. (140 mm)
14 (65)	2 in. (51 mm)	3 in. (76.2 mm)	3.5 in. (88 mm)	4 in. (102 mm)	4.5 in. (114 mm)	5 in. (124 mm)	5.5 in. (140 mm)
18 (75)	2 in. (51 mm)	3 in. (76.2 mm)	3.5 in. (88 mm)	4 in. (102 mm)	4.5 in. (114 mm)	5 in. (124 mm)	5.5 in. (140 mm)
25 (100)	2 in. (51 mm)	3 in. (76.2 mm)	3.5 in. (88 mm)	4 in. (102 mm)	4.5 in. (114 mm)	5 in. (124 mm)	5.5 in. (140 mm)
30 (135)	3 in. (76.2 mm)	3 in. (76.2 mm)	3.5 in. (88 mm)	4 in. (102 mm)	4.5 in. (114 mm)	5 in. (124 mm)	5.5 in. (140 mm)
35 (165)	3 in. (76.2 mm)	3 in. (76.2 mm)	3.5 in. (88 mm)	4 in. (102 mm)	4.5 in. (114 mm)	5 in. (124 mm)	5.5 in. (140 mm)
55 (235)	3 in. (76.2 mm)	4 in. (102 mm)	5 in. (131 mm)	6 in. (152 mm)	6.7 in. (170 mm)	7.3 in. (186 mm)	8 in. (203 mm)
75 (305)	3 in. (76.2 mm)	4 in. (102 mm)	5 in. (131 mm)	6 in. (152 mm)	6.7 in. (170 mm)	7.3 in. (186 mm)	8 in. (203 mm)

Table 10

Installation

Water Connection



WARNING

To prevent personal injury, avoid contact with inlet water temperatures higher than 125° Fahrenheit (51° Celsius) and hot surfaces.

W748

All machines are delivered with three hoses with 3/4 inch hose connectors.

In case of boiler fed machines, a maximum temperature of hot water of 194°F (90°C) should be available.

Connections should be supplied by a hot and a cold water line per national and local codes.

To connect water service to machine with rubber hoses, use the following procedure:

1. Before installing hoses, flush the water system for at least two minutes.
2. Check filters in the machine's inlet hoses for proper fit and cleanliness before connecting.
3. Hang the hoses in a large loop, do not allow them to kink.

If additional hose length is needed, flexible hoses with screen filters are required. Each hose should have a screen filter installed to keep rust and other foreign particles out of the water inlet valves.

Pressure of 30-85 psi (2-5.7 bar) provides best performance. Although the machine will function at lower pressures, increased fill times will occur with some loss of supply flushing.

Suitable air cushions (risers) should be installed in supply lines to prevent "hammering."


Water Supply Information								
Capacity lb. (l)	12 (60)	14 (65)	18 (75)	25 (100)	30 (135)	35 (165)	55 (235)	75 (305)
Water inlet connection size	0.75 in. (19 mm)	0.75 in. (19 mm)	0.75 in. (19 mm)	0.75 in. (19 mm)	0.75 in. (19 mm)	0.75 in. (19 mm)	0.75 in. (19 mm)	0.75 in. (19 mm)
Number of water inlets (standard)	3	3	3	3	3	3	3	3
Recom-mended pressure	30-85 psi (2-5.7 bar)	30-85 psi (2-5.7 bar)	30-85 psi (2-5.86 bar)	30-85 psi (2-5.7 bar)	30-85 psi (2-5.7 bar)	30-85 psi (2-5.7 bar)	30-85 psi (2-5.7 bar)	30-85 psi (2-5.7 bar)
Inlet flow capacity	5.3 gal/min (20 l/min)	5.3 gal/min (20 l/min)	5.3 gal/min (20 l/min)	5.3 gal/min (20 l/min)	5.3 gal/min (20 l/min)	5.3 gal/min (20 l/min)	12 gal/min (45 l/min)	12 gal/min (45 l/min)


Table 11

Electrical Installation

IMPORTANT: Electrical ratings are subject to change. Refer to serial decal for electrical ratings information specific to your machine.

IMPORTANT: Alliance Laundry Systems warranty does not cover compounds that fail as a result of improper input voltage.

	WARNING
<p>Before starting wiring or inspection, power must be switched OFF. Check to make sure that the operation panel indicator is OFF. Any person who is involved in wiring or inspection shall wait for at least 10 minutes after the power supply has been switched OFF and check that there are no residual voltage using a tester or the like. The capacitor of the inverter or the EMC filter is charged with high voltage for some time after power is OFF and it is dangerous.</p>	
W795	


	WARNING
<p>Hazardous Voltage. Can cause shock, burn or death. Verify that a ground wire from a proven earth ground is connected to the lug near the input power block on this machine.</p>	
W360	

The AC inverter drive requires a clean power supply free from voltage spikes and surges. A voltage monitor should be used to check incoming power. The customer's local power company may provide such a monitor.

If input voltage measures above 240V for a 220V drive or above 415V for a 400V drive, ask the power company to lower the voltage. As an alternative, a step-down transformer kit is available from the distributor.

The AC drive provides overload protection for the drive motor. However, a separate single or three phase circuit breaker must be installed for complete electrical overload protection. This prevents damage to the motor by disconnecting all legs if one should be lost accidentally. Check the data plate on the back of the machine or consult *Table 12* for circuit breaker requirements.

IMPORTANT: Do NOT use fuses in place of a circuit breaker.

	DANGER
<p>Do not use a phase adder on any variable-speed machine.</p>	
W490	

The machine should be connected to an individual branch circuit not shared with lighting or other equipment.

The connection should be shielded in a liquid tight or approved flexible conduit with proper conductors of correct size installed in accordance with the National Electric Code or other applicable codes. The connection must be made by a qualified electrician using the wiring diagram provided with the machine, or according to accepted European standards for CE-approved equipment.

Use wire sizes indicated in *Table 12* for runs up to 50 feet.

Use next larger size for runs of 50 to 100 feet. Use two sizes larger for runs greater than 100 feet.

For personal safety and proper operation, the machine must be grounded in accordance with state and local codes. If such codes are not available, grounding must conform with the National Electric Code, article 250 (current edition). The ground connection must be made to a proven earth ground, not to conduit or water pipes.

Installation

Electrical Specifications												
Voltage Designation						Standard			Electric Heat			
Capacity lb. (l)	Code	Voltage	Cycle	Phase	Wire	Full Load Amps	Circuit Breaker	AWG /mm ²	Full Load Amps (Heating Element kW) (Voltage)	Circuit Breaker	AWG /mm ²	
12 (60)	C	380-415	50/60	3	3+N+PE	8	16	14/2.5	11,6 - 6Kw (380V) 13,4 - 6Kw (415V)	16	14/2.5	
	N	440-480	50/60	3	3+PE	3.3	6	14/2.5	N/A			
	P	380-415	50/60	3	3+PE	3.3	6	14/2.5	10,1 - 6Kw (380V) 11,9 - 6Kw (415V)	16	14/2.5	
	Q	200-240	50/60	3	3+PE	N/A			14,8 - 6Kw (208V) 18,9 - 6Kw (240V)	20	10/2.5	
	X	200-240	50/60	1/3	2/3+PE	8	16	14/2.5	22 - 3Kw	32	10/4	
14 (65)	C	380-415	50/60	3	3+N+PE	8	16	14/2.5	11,6 - 6Kw (380V) 13,4 - 6Kw (415V)	16	14/2.5	
	N	440-480	50/60	3	3+PE	4.1	6	14/2.5	N/A			
	P	380-415	50/60	3	3+PE	4.1	6	14/2.5	10,1 - 6Kw (380V) 11,9 - 6Kw (415V)	16	14/2.5	
	Q	200-240	50/60	3	3+PE	N/A			14,8 - 6Kw (208V) 18,9 - 6Kw (240V)	20	10/2.5	
	X	200-240	50/60	1/3	2/3+PE	10	16	14/2.5	N/A			
18 (75)	C	380-415	50/60	3	3+N+PE	10	16	14/2.5	16,2 - 9Kw (380V) 18,8 - 9Kw (415V)	20	10/2.5	
	N	440-480	50/60	3	3+PE	4.1	6	14/2.5	14,3 - 9Kw	16	14/2.5	
	P	380-415	50/60	3	3+PE	4.1	6	14/2.5	14,7 - 9Kw (380V) 17,3 - 9Kw (415V)	20	10/2.5	
	Q	200-240	50/60	3	3+PE	N/A			21 - 9Kw (208V) 27,1 - 9Kw (240V)	32	10/2.5	
	X	200-240	50/60	1/3	2/3+PE	10	16	14/2.5	36	40	8/4	
25 (100)	C	380-415	50/60	3	3+N+PE	10	16	14/2.5	16,2 - 9Kw (380V) 18,8 - 9Kw (415V)	20	10/2.5	
	N	440-480	50/60	3	3+PE	4.1	6	14/2.5	14,3 - 9Kw	16	14/2.5	
	P	380-415	50/60	3	3+PE	4.1	6	14/2.5	14,7 - 9Kw (380V) 17,3 - 9Kw (415V)	20	10/2.5	
	Q	200-240	50/60	3	3+PE	N/A			21 - 9Kw (208V) 27,1 - 9Kw (240V)	32	10/2.5	
	X	200-240	50/60	1/3	2/3+PE	10	16	14/2.5	N/A			
30 (135)	C	380-415	50/60	3	3+N+PE	10	16	14/2.5	20,8 - 12Kw (380V)	25	10/2.5	
	N	440-480	50/60	3	3+PE	4.1	10	14/2.5	24,7 - 18Kw (440V) 29,2 - 18Kw (480V)	32	8/4	
	P	380-415	50/60	3	3+PE	4.1	6	14/2.5	19,3 - 12Kw (380V) 22,8 - 12Kw (415V)	25	10/2.5	
	Q	200-240	50/60	3	3+PE	N/A			27,2 - 12Kw (208V) 35,3 - 12Kw (240V)	40	8/4	
	X	200-240	50/60	1/3	2/3+PE	10	16	14/2.5	N/A			

Table 12 (continued)

Table 12 (continued)

Electrical Specifications												
Voltage Designation						Standard			Electric Heat			
Capacity lb. (l)	Code	Voltage	Cycle	Phase	Wire	Full Load Amps	Circuit Breaker	AWG /mm ²	Full Load Amps (Heating Element kW) (Voltage)	Circuit Breaker	AWG /mm ²	
35 (165)	C	380-415	50/60	3	3+N+PE	10	16	14/2.5	20,8 - 12Kw (380V)	25	10/2.5	
									24,3 - 12Kw (415V)			
									30,4 - 18Kw (380V)	40	8/4	
									35,7 - 18Kw (415V)			
	N	440-480	50/60	3	3+PE	4.1	10	14/2.5	24,9 - 18Kw (440V)	32	8/4	
									29,4 - 18Kw (480V)			
	P	380-415	50/60	3	3+PE	4.1	6	14/2.5	19,3 - 12Kw (380V)	25	10/2.5	
									23 - 12Kw (415V)			
									28,6 - 18Kw (380V)	40	8/4	
	33,9 - 18Kw (415V)											
Q	200-240	50/60	3	3+PE	N/A			40 - 18kW (208V)	63	6/6		
					52,3 - 18Kw (240V)							
X	200-240	50/60	1/3	2/3+PE	10	16	14/2.5	N/A				
55 (235)	C	380-415	50/60	3	3+N+PE	16	20	14/2.5	31,4 - 18Kw (380V)	40	8/4	
									36,7 - 18Kw (415V)			
	N	440-480	50/60	3	3+PE	6.5	16	14/2.5	25,3 - 18Kw (440V)	32	8/4	
									29,8 - 18Kw (480V)			
	P	380-415	50/60	3	3+PE	6.5	10	14/2.5	29 - 18Kw (380V)	40	8/4	
									34,2 - 18Kw (415V)			
	Q	200-240	50/60	3	3+PE	N/A			41 - 18Kw (200V)	63	6/6	
						53,3 - 18Kw (240V)						
	X	200-240	50/60	1/3	2/3+PE	16	20	14/2.5	N/A			
	75 (305)	C	380-415	50/60	3	3+N+PE	9	16	14/2.5	41,7 - 24Kw (380V)	63	6/6
48,7 - 24Kw (415V)												
N		440-480	50/60	3	3+PE	6.5	16	14/2.5	25,3 - 18Kw (440V)	32	8/4	
									29,8 - 18Kw (480V)			
P		380-415	50/60	3	3+PE	9	16	14/2.5	41,7 - 24Kw (380V)	63	6/6	
									48,7 - 24Kw (415V)			
Q		200-240	50/60	3	3+PE	N/A			41 - 18Kw (200V)	63	6/6	
						53,3 - 18Kw (240V)						
X		200-240	50/60	1/3	2/3+PE	N/A			N/A			

Table 12

Installation

Electrical Connection

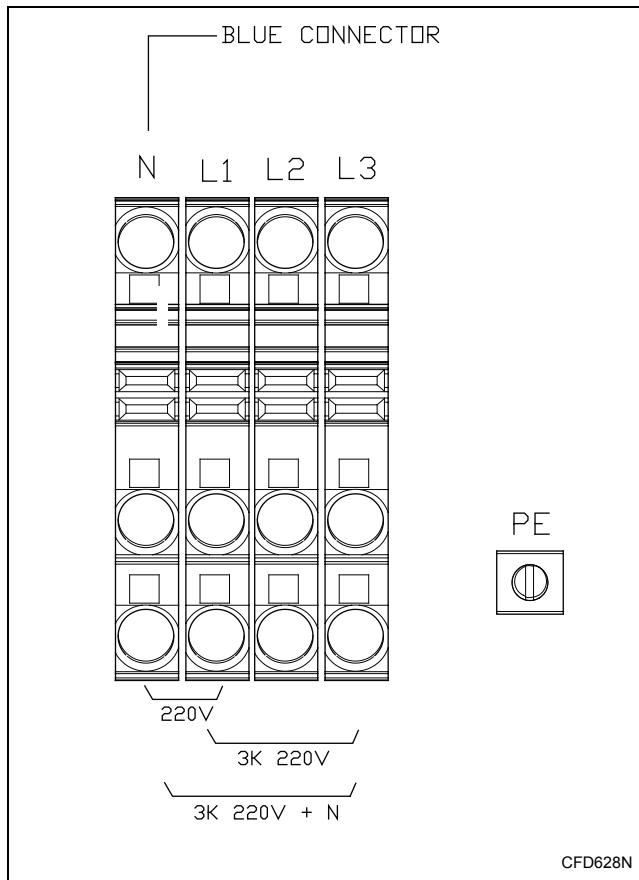


Figure 12

Remove the cover plate at the back of the machine. Using copper conductors only, connect the power cable to the connectors. Refer to the instructions listed on the machine's decal on how to connect the machine.

Machine without Electric Heating

Connect 200-240V single phase (1AC) to the connectors "N" and "L1". The green/yellow grounding clamp has to be the grounding wire "PE".

Machine with Electric Heating

200-240V 3AC

200-240V 3 phase (3AC) should be connected to the connectors "L1, L2, L3". Refer to *Figure 12*.

The green/yellow grounding clamp has to be connected to the grounding wire "PE".


380-415V 3AC + N

380-415V 3 phase (3AC + N) has to be connected to the connectors "L1, L2, L3", the blue neutral to the "N" connector. Refer to *Figure 12*.

The green/yellow grounding clamp has to be connected to the grounding wire "PE".

After electrical installation is complete, run the machine through a test cycle and check for a clockwise basket rotation during the extract step. If rotation is not clockwise, disconnect the power from the machine and have a qualified electrician reverse any 2 motor leads at the AC drive terminal block.

Remote Liquid Supply Connection Chemical Injection Supply System

	WARNING
<p>Dangerous Chemicals. May damage eyes and skin. Wear eye and hand protection when handling chemicals; always avoid direct contact with raw chemicals. Read the manufacturer's directions for accidental contact before handling chemicals. Ensure an eye-rinse facility and an emergency shower are within easy reach. Check at regular intervals for chemical leaks.</p>	
W363	

Undiluted chemical dripping can damage the machine. All chemical supply dispenser pumps should be mounted below the machine's injection point. All dispenser tubing should also run below the injection point. Loops do not prevent drips if these instructions are not followed.

IMPORTANT: Failure to follow these instructions could damage the machine and void the warranty.

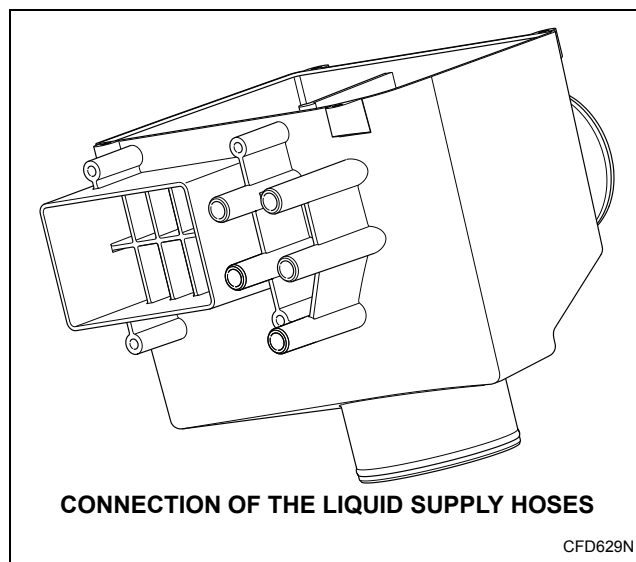



Figure 13

A connection has been placed at the back of the machine. There are five holes in this connection, through each of which a liquid supply hose can be connected.

	CAUTION
<p>Drill out plugs and nipples before making supply hose connection. Failure to do so can cause buildup of pressure and risk a tubing rupture.</p>	
W491	

Steam Requirements (Steam Heat Option Only)



WARNING

Never touch internal or external steam pipes, connections, or components. These surfaces can be extremely hot and will cause severe burns. The steam must be turned off and the pipe, connections, and components allowed to cool before the pipe can be touched.

SW014

For machines equipped with optional steam heat, install piping in accordance with approved commercial steam practices. Steam requirements are shown in *Table 13*.

Steam Supply Information	
Steam inlet connection, in. (mm)	3/8 (10)
Number of steam inlets	1
Recommended pressure, psi (bar)	30 – 80 (2.0 – 5.5)
Maximum pressure, psi (bar)	80 (5.5)

Table 13

Supply Programming Table

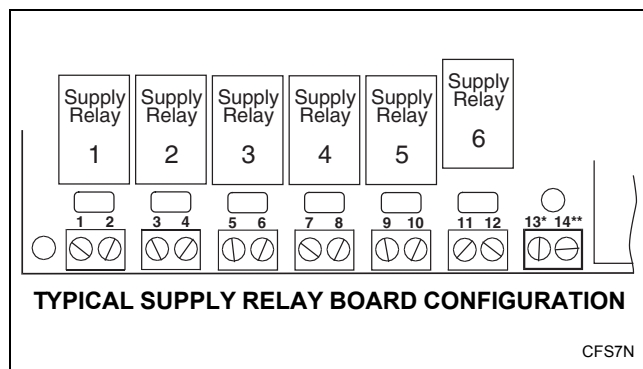
When programming a supply step on the WE-8, choose between 9 different supply steps. Refer to *Table 14*.

Supply 1	Turns on the water valve in compartment A of the supply box.
Supply 2	Turns on the water valve in compartment B of the supply box.
Supply 3	Turns on the water valve in compartment C of the supply box.
Supply 4	Activates supply relay 1.
Supply 5	Activates supply relay 2.
Supply 6	Activates supply relay 3.
Supply 7	Activates supply relay 4.
Supply 8	Activates supply relay 5.
Supply 9	Activates supply relay 6.

Table 14

NOTE: The Supply button is button 6.

Supply Relay Configuration (No Wiring)



* L1 (220 VAC) wire or terminal for remote liquid supply connection.

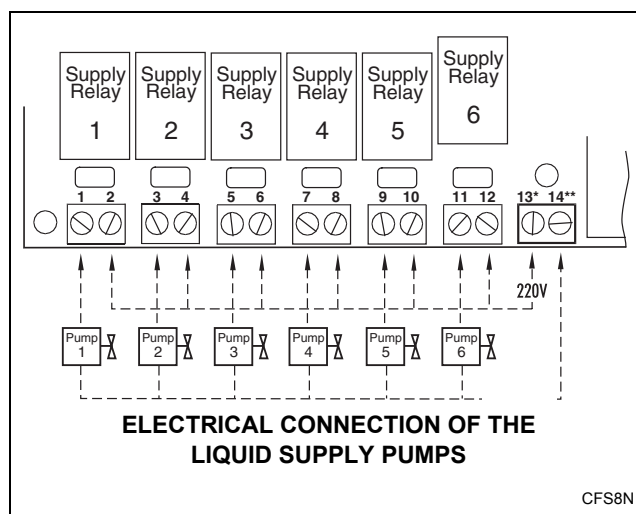
** L2 common wire (220 VAC) or terminal for remote liquid supply connection.

Figure 14

The supply relay board is set up to give NO Voltage AC output to the respective terminals. It is a dry contact closure of the relay. The voltage applied must be supplied with the jumper configurations. Refer to *Figure 15*.

Primary 220 Volt Remote Liquid Supply Connection

IMPORTANT: When programming a supply step, supplies 1, 2 and 3 DO NOT control the relays shown on *Figure 15*. Programming supply 1, 2 or 3 ONLY activates water in compartment A, B or C. Programming supply 4 activates relay 1. Programming supply 5 on the WE-8 will activate supply relay 2, etc. Programming supply 4-9 on the WE-8 will activate supply relay 1-6 on the board, respectively. Refer to *Table 14*.



* L1 (220 VAC) wire or terminal for remote liquid supply connection.

** L2 common wire (220 VAC) or terminal for remote liquid supply connection.

Figure 15

Installation

Supply relay 1 controls terminals 1 and 2. *Figure 15* shows the jumper wire from terminal 13 (L1 220 VAC) to all other even pins (i.e., 2, 4, 6...). This applies L1 (220 VAC) to terminal 2. When supply 4 on the WE-8 is programmed, this will close supply relay 1 and apply L1 (220 VAC) through pin 2 to pin 1. This signal is used from the terminal to the chemical supply vendors first pump.

IMPORTANT: Supply 4 must be programmed on the WE-8 to create the signal on terminal 1. The chemical vendor will always use terminal 14 as the common terminal for all pumps. This will apply for the remainder of the 220 VAC circuit for each of the pump signals. For the remainder of the relays, supply relay 2 will control terminals 3 and 4; supply relay 3 will control terminals 5 and 6; etc.

IMPORTANT: The WE-8 must be programmed for supply 4-9 to energize the supply relays 1-6 respectively.

Primary 220 Volt Remote Liquid Supply Connection (Continued)

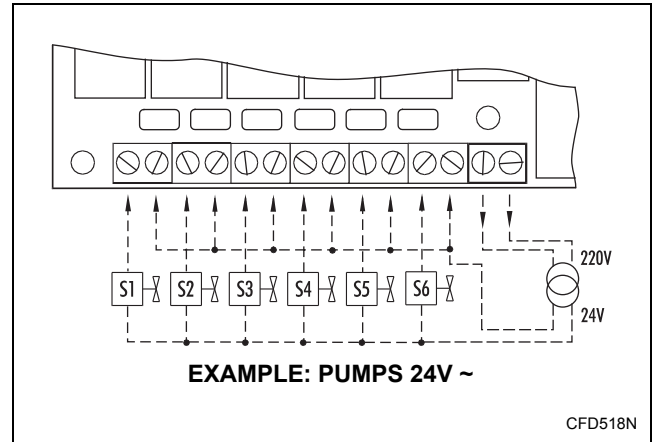


Figure 16

The 220V can be transformed to other values to drive other type supply pumps.

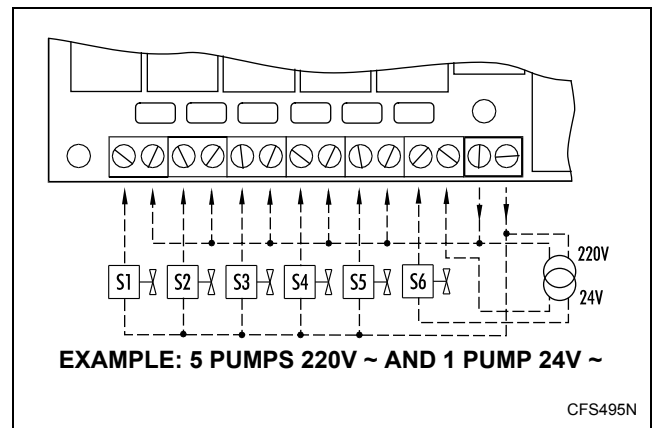


Figure 17

Also, pumps with different operating voltage requirements can be combined.

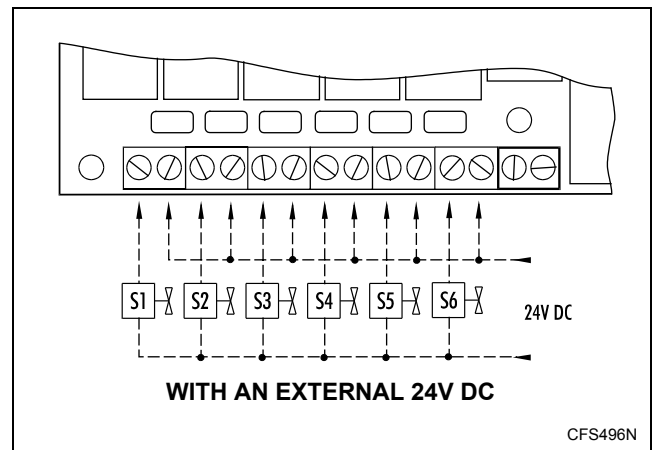


Figure 18

Out-of-Balance Switch

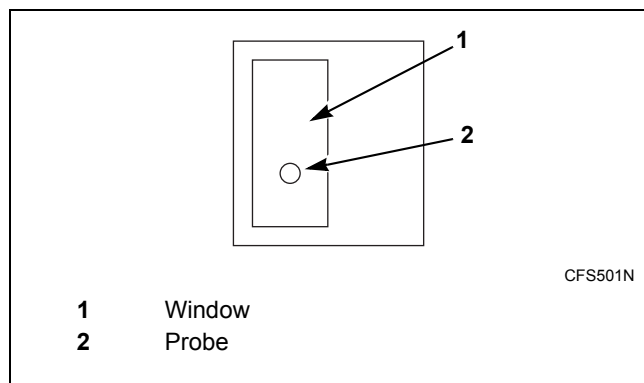


Figure 19

The out-of-balance switch is mounted on the upper right side on the back of the control panel. There is a window around the probe of the switch that is mounted on the movable part of the machine.

When the machine goes out of balance by overloading or uneven distribution of the linen, the out-of-balance switch will interrupt this action to prevent damage to the machine.

IMPORTANT: To guarantee good functioning, the probe should be centered horizontally and vertically at 1/3 from the bottom of the tilt window (when machine drum is empty).

Automatic Lubricator

Only for 75 lb. (305 l) Capacity Models

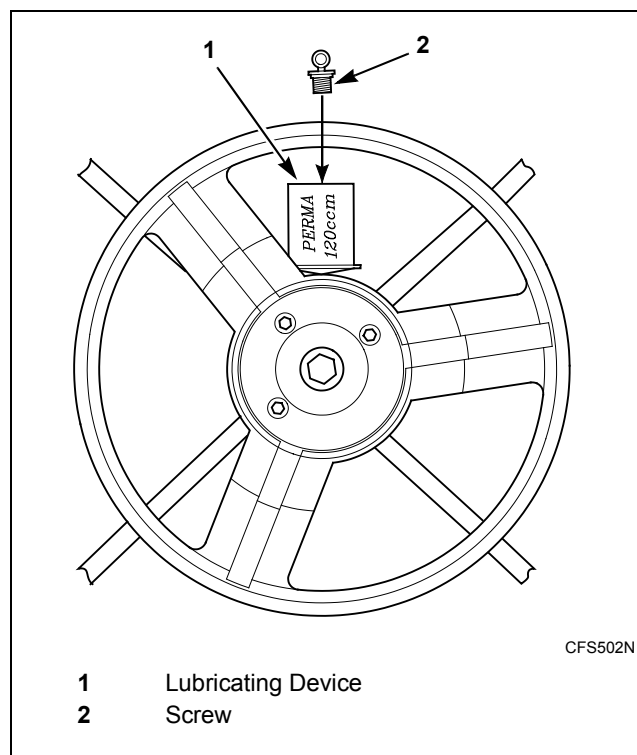


Figure 20

The bearing house of the machine is equipped with a lubricating device, refer to *Figure 20*, which automatically lubricates the bearing during one year. Upon delivery of the machine, this lubricator has been brought into use. When replacing, please put on the matching screw, refer to *Figure 20*, in the foreseen opening of the lubricator to activate.

	WARNING
Ignoring this instruction will inevitably cause damage to the bearings and void the warranty!	
W492	

Installation

Control Function Test

The machine should be cleaned after the installation is complete. A function test should then be executed on the unloaded machine:

1. Verify that power supply voltage and phase are correct in accordance with the machine's requirements.
2. Open manual shut-off valves to the machine.
3. Press the Emergency Stop button.
4. Apply power to the machine.
5. Release the Emergency Stop button.
6. Check the door interlock before starting operation:
 - a. Attempt to start the machine with the door open. The machine should not start.

- b. Close the door without locking it and attempt to start the machine. The machine should not start.
- c. Attempt to open the door while a cycle is in progress. The door should not open.

If the door lock and interlock are not functioning properly, call a qualified service technician.

7. For standard processing, select Cycle 01 by pressing key 0 and key 1 on the keypad. Then press the Start key (or run factory test cycle 39 by pressing key 3, key 9 and Start key).

Run a complete cycle, checking operation of water inlet valves, drain, and extract functions.

8. Cylinder rotation must be clockwise in an extract step for all models. If rotation is not correct, disconnect power. A qualified electrician must reverse any two motor leads between the AC drive and the main drive motor. Refer to *Figure 21*.

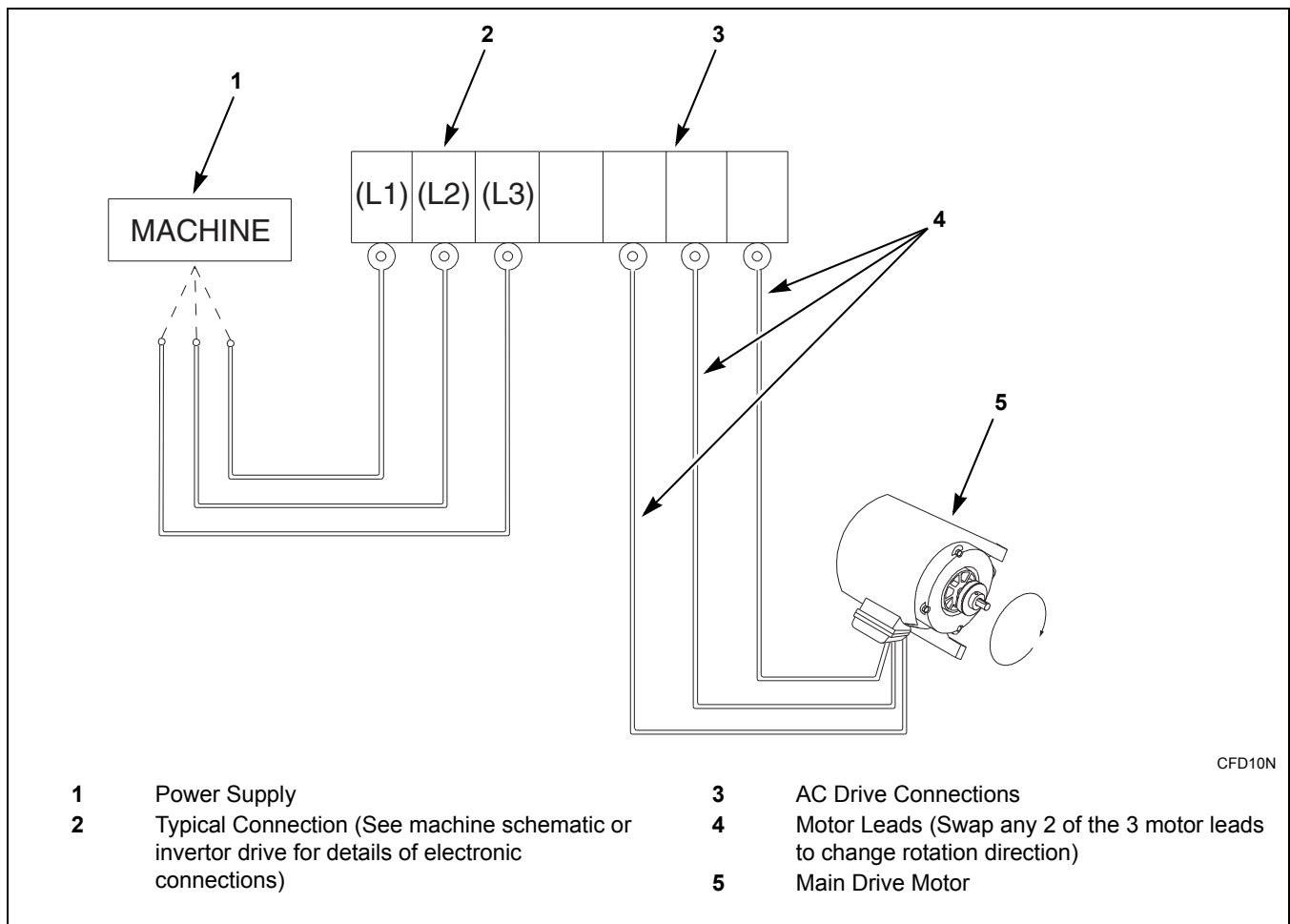


Figure 21

Disposal of Unit

This appliance is marked according to the European directive 2002/96/EC on Waste Electrical and Electronic Equipment (WEEE).

This symbol on the product or on its packaging indicates that this product shall not be treated as household waste. Refer to *Figure 22*. Instead it shall be handed over to the applicable collection point for the recycling of electrical and electronic equipment. Ensuring this product is disposed of correctly will help prevent potential negative consequences for the environment and human health which could otherwise be caused by inappropriate waste handling of this product. The recycling of materials will help to conserve natural resources. For more detailed information about recycling of this product, please contact the local city office, household waste disposal service, or the source from which the product was purchased.

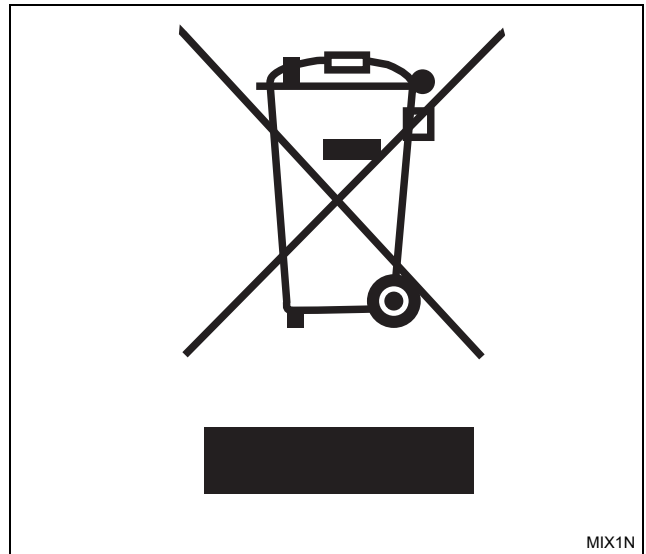


Figure 22

