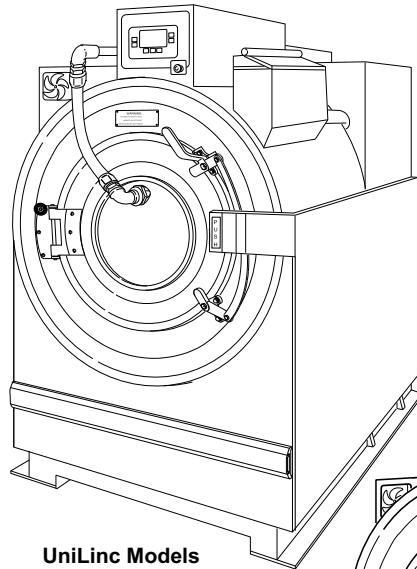


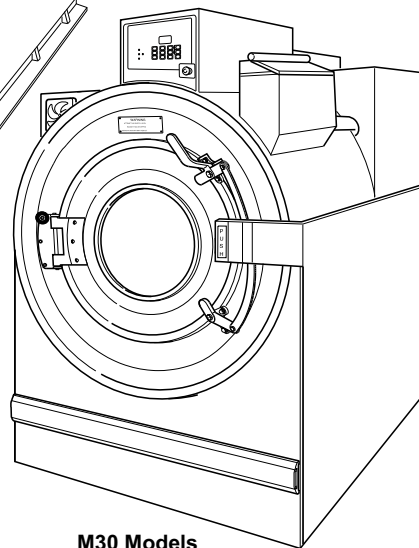
# Washer-Extractor

Pocket Hardmount

Refer to Page 3 for Model Numbers



UniLinc Models



M30 Models

PHM1419C\_F8163601



# Table of Contents

Title	Page
Parts Ordering Information.....	2
Nameplate Location .....	2
Model Identification .....	3
Pocket Hardmount Washer-Extractor Product Overview - Models UW80TV and UW100TV .....	4
Pocket Hardmount Washer-Extractor Product Overview - UWL080, UWL100, UWN080, UWN100, UWU080 and UWU100 Models.....	6
Control Module (Drawing 1 of 3) .....	8
Control Module (Drawing 2 of 3) .....	10
Control Module (Drawing 3 of 3) .....	12
AC Drive Box (Drawing 1 of 2).....	14
AC Drive Box (Drawing 2 of 2).....	16
Balance Switch, Temperature Probe and Rotation Sensor .....	18
Panels .....	20
Drive Box and Water Supply Box - Models Through 10/3/10.....	22
Drive Box and Water Supply Box - Models Starting 10/4/10.....	24
Spray Tube Assembly - Models Through 10/3/10.....	26
Door Assembly - Models Through 10/3/10 .....	28
Door and Spray Tube Assembly - Models Starting 10/4/10.....	30
Door Lock.....	32
Basket, Shell and Frame (Drawing 1 of 2) .....	34
Basket, Shell and Frame (Drawing 2 of 2) .....	36
Supply Dispenser.....	38
Water Supply Valve and Hoses to Supply Dispenser - Models Through 10/3/10.....	40
Water Supply Valve and Hoses to Supply Dispenser - Models Starting 10/4/10.....	42
Spray and Fill Plumbing Assemblies - Models Through 10/3/10.....	44
Fill Plumbing Assemblies - Models Starting 10/4/10.....	46
Fill Plumbing Assembly - Models Through 10/3/10.....	48
Spray Plumbing Assembly - Models Starting 10/4/10.....	50
Drain - Models Through 10/3/10 .....	52
Drain - Models Starting 10/4/10 .....	54
Motor, Pulley and Bearings.....	56
Electric Heat Option .....	58
Steam Heat Option - Models Through 10/3/10 .....	60
Steam Heat Option - Models Starting 10/4/10 .....	62
Special Tools .....	64
Parts Index.....	67

© Copyright 2012, Alliance Laundry Systems LLC

All rights reserved. No part of the contents of this book may be reproduced or transmitted in any form or by any means without the expressed written consent of the publisher.

# Parts Ordering Information

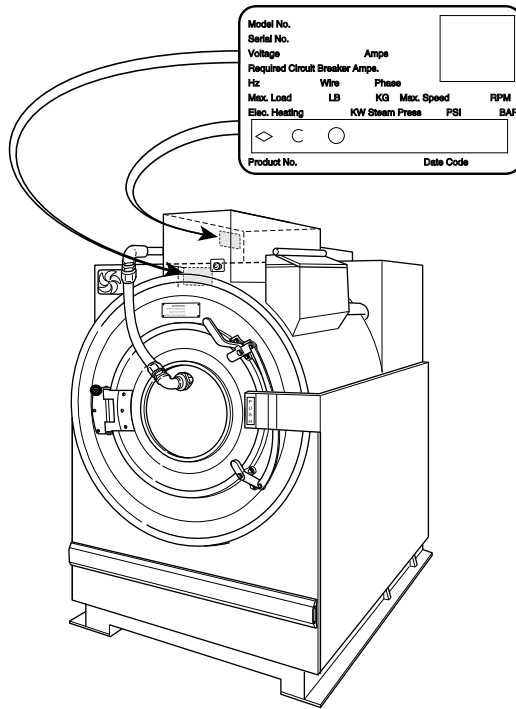
If literature or replacement parts are required, contact the source from whom the machine was purchased or contact Alliance Laundry Systems at (920) 748-3950 for the name and address of the nearest authorized parts distributor.

For technical assistance, call either of the numbers listed below:

(920) 748-3121 Ripon, Wisconsin  
+32 56 41 20 54 Wevelgem, Belgium

# Nameplate Location

When calling or writing about your product, be sure to mention model and serial numbers. Model and serial numbers are located on nameplate(s) as shown.



PHM3110P\_F8163601

## Model Identification

Information in this manual is applicable to these washer-extractor models:

UW80TV  
UW100TV

UWL080K1M  
UWL080T3V  
UWL100K1M  
UWL100T3V

UWN080K1M  
UWN080K1V  
UWN080T3V  
UWN100K1M  
UWN100K1V  
UWN100T3V

UWU080K1M  
UWU080T3V  
UWU100K1M  
UWU100T3V

# Pocket Hardmount Washer-Extractor Product Overview - Models UW80TV and UW100TV

Model No. **UW60AVXUB0001**

Serial No. **00000000000**

Voltage **200 – 240**      Amps **10**

Circuit Breaker **15 Amps**

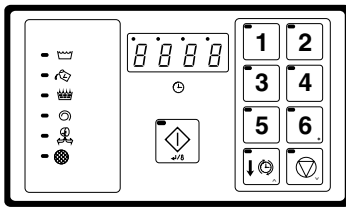
Hz **50 – 60**      Wire **2/3**      Phase **S 3**

Max. Load **60 LB**      **27 KG**      Max. Speed **594 RPM**

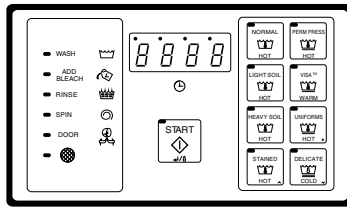
Elec. Heating **N/A**      Steam Press. **N/A PSI**      **0.0 BAR**

**Drawings:**

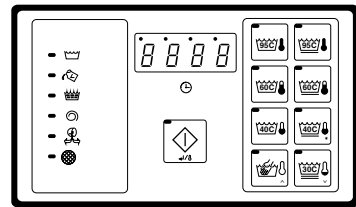
ETL Listed  
Conforms To ANSI/UL Std. 1206, 3rd Ed  
Certified To CAN/CSA Std. C22.2 No.53-1968



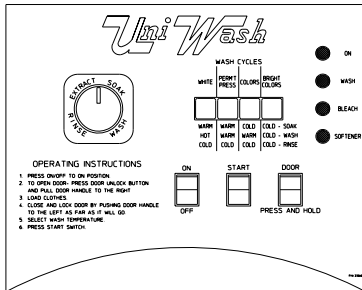
**A-Control**



**B-Control (Domestic)**



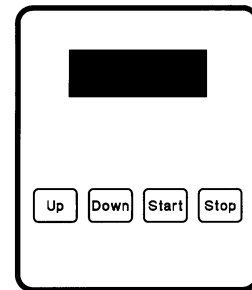
**B-Control (International)**



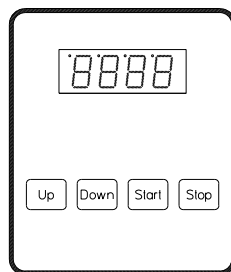
**Mechanical Timer**



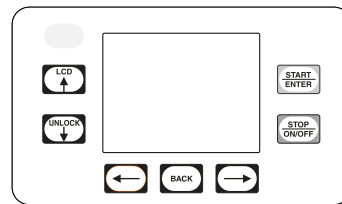
**WE-6 Control**



**S-Computer**



**V-Computer**



**UniLinc Control**

PHM2979P\_F8163601

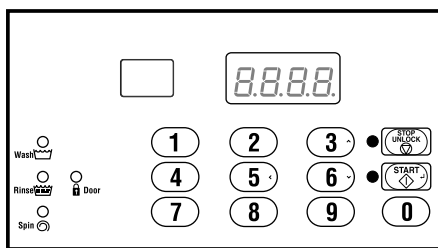
## Pocket Hardmount Washer-Extractor Product Overview - Models UW80TV and UW100TV

REF	PART NO.	DESCRIPTION	COMMENTS
1	-	Product Family	UW
2	-	Capacity (Pounds)	35 60 80 100 125 150
3	-	Control	A (A-Control) B (B-Control) M (Mechanical Timer) P (WE-6 Control) S (S-Computer) V (V-Computer) T (UniLinc Control)
4	-	Speed	2 (2-Speed) 3 (3-Speed) 4 (4-Speed) V (Variable-Speed)
5	-	Voltage	F (440-480/60/3/3) N (440-480/50-60/3/3) O (208-240/60/3/3) P (380-415/60-60/3/3) Q (200-208/220-240/50/60/3ph) R (380-415/440-480/50/60/3ph) X (200-220/220-240/50/60/1-3) Y (208-240/60/1/2)
6	-	OEM	U (Standard Specs)
7	-	Design Series	1-8

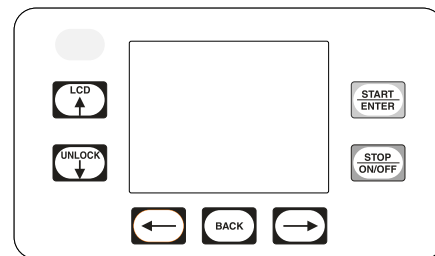
# Pocket Hardmount Washer-Extractor Product Overview - UWL080, UWL100, UWN080, UWN100, UWU080 and UWU100 Models

Model No. **UWN060T3VXU1001**  
 Serial No. **000000000000**  
 Voltage **200 – 240** Hz **50-60** Phase **3**  
 Number of wires : **3** FLA : **19** amps  
 Circuit Breaker Size : **30** amps  
 Max. Load : **60** LB **27** KG  
 Schematic :  
 Supply Water: **30 - 85** psi, **2 - 5.7** BAR

**Alliance**  
Laundry Systems



M30 Control



UniLinc Control

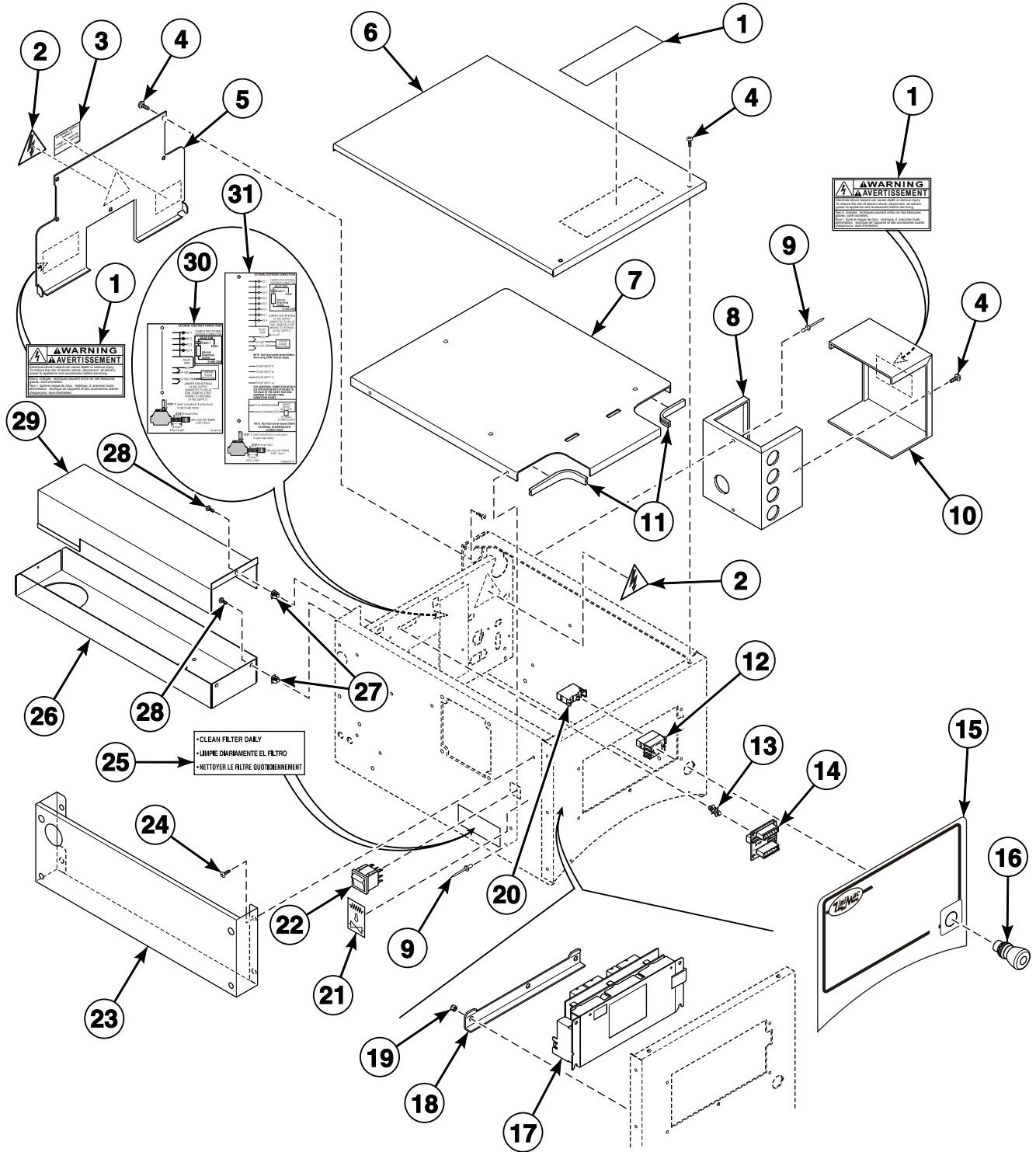
PHM3063P\_F8163601



# Pocket Hardmount Washer-Extractor Product Overview - UWL080, UWL100, UWN080, UWN100, UWU080 and UWU100 Models

REF	PART NO.	DESCRIPTION	COMMENTS
1	-	Product Family	UW
2	-	Market Approvals	N (Domestic ETL) L (International ETL) U (International CE)
3	-	Capacity (Dry Weight in Pounds)	035 060 080 100 125 150
4	-	Control	K (M30 Control) T (UniLinc Control)
5	-	Spray/Dispenser Feature	1 (No spray but with dispenser) 3 (With spray and dispenser)
6	-	Speed	2 (2-Speed) L (Low-Speed - 100/60) M (Medium-Speed - 180/120/60) V (Variable-Speed - 300/240/180/120/60)
7	-	Voltage	O (208/220-240/60/3/3) X (200-208/220/240/50/60/1/3) Q (200-208/220-240/50/60/3) R (380-415/440-480/50/60/3)
8	-	OEM	U
9	-	Design Series	1
10	-	Heat Feature	0 (Prep for steam) D (Direct steam) E (Electric heat) P (Prep for electric and steam heat)
11	-	Features and Options	

# Control Module (Drawing 1 of 3)

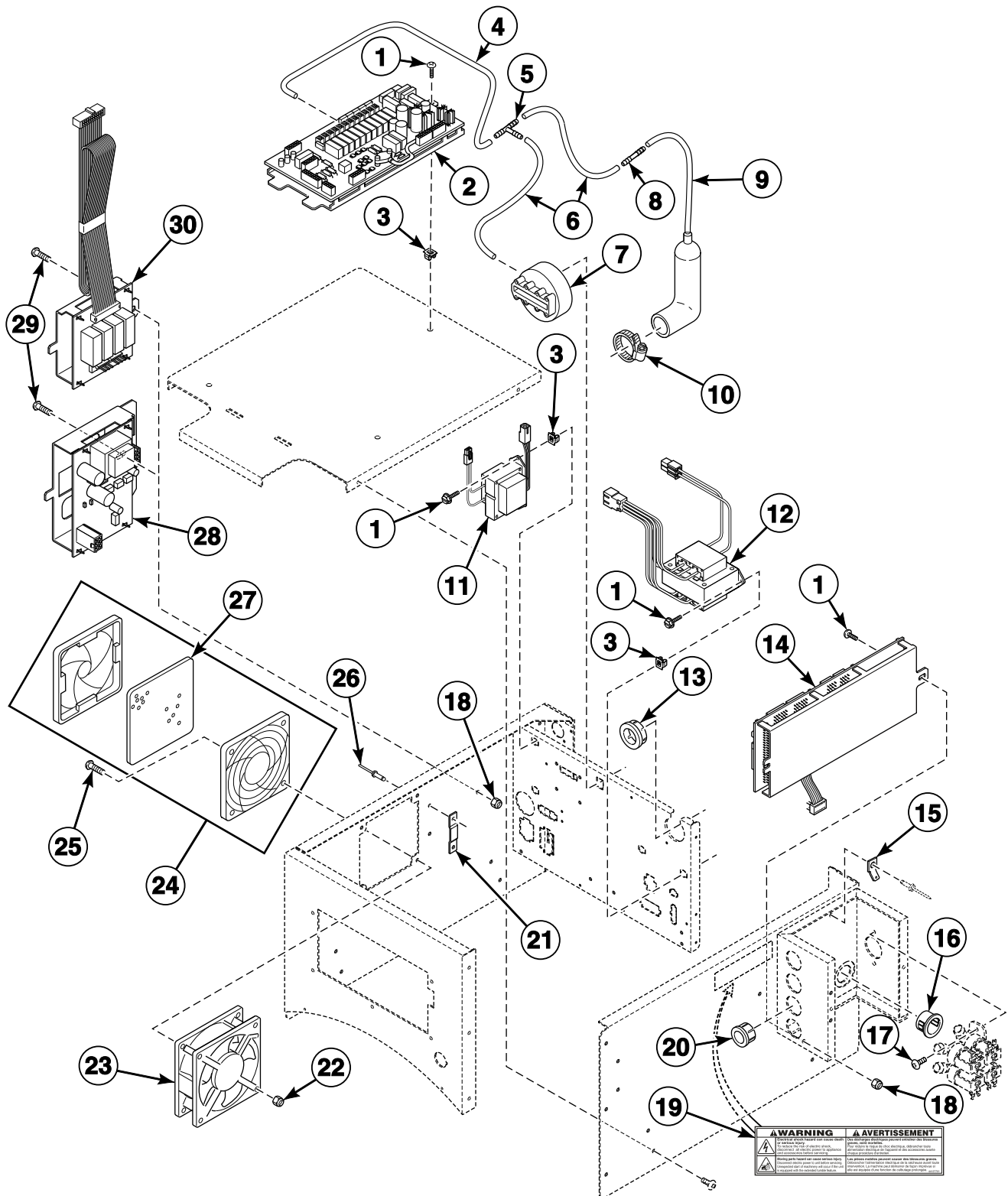


PHM3106P\_F8163601

## Control Module (Drawing 1 of 3)

REF	PART NO.	DESCRIPTION	COMMENTS
	NK220	Network Controller Kit	
1	F8233501	Warning Label	Disconnect power
2	502511	Electrical Shock Label	
3	F8150201	External Supply Connection Decal	
4	F8117601	Screw	
5	F8170501	Control Box Rear Panel	
6	F8170601	Control Box Top Panel	
7	F8055001	Control Box Contactor Panel	
8	F8055301	External Supply Box	Models through 10/3/10
9	F431210	Pop Rivet	Models through 10/3/10
10	F635365	External Supply Box Cover	Models through 10/3/10
11	F8152701	Trim	
12	F200233401	Contact Block Switch	
	F8060501	Emergency Stop Harness	
13	210098	PC Board Standoff	Network models
14	210095P	Communication Board	Network models
	NK205	Network Retrofit Kit	Includes item 13, 201341 Network Board Assembly, 210099 Communication Connector, 51780 Screw, 210095 Communication Board, 800219 Communication Wire Harness Assembly, 803195 Conversion Label and 44088501 Network Wire Harness Assembly
15	F8427001	Control Module Decal	Models UW80TV, UW100TV, UWL080T3V, UWL100T3V, UWN080T3V, UWN100T3V, UWU080T3V and UWU100T3V
	F8297101	Overlay	All other models
16	F200233500	Emergency Stop Pushbutton	
17	F982P3	Control Kit	Models UW80TV, UW100TV, UWL080T3V, UWL100T3V, UWN080T3V, UWN100T3V, UWU080T3V and UWU100T3V
	F983P3	Control Kit	All other models
18	F8036101	Control Board Bracket	
19	685846	Nut	
20	F8069501	Contact Switch	
21	F8368301	Steam-Electric Switch Label	Dual steam and electric heat
22	F8367701	Rocker Switch	Dual steam and electric heat
23	F8103001	Supply Controls Bracket	Models UW80TV and UW100TV; Models through 6/30/08
24	F430903	Screw	Models UW80TV and UW100TV; Models through 6/30/08
25	F200061000	Clean Filter Daily Decal	
26	F8073003	Control Harness Tray	80 pound models; Models through 10/3/10
	F8073004	Control Harness Tray	100 pound models; Models through 10/3/10
	F8290302	Control Harness Tray	80 pound models; Models starting 10/4/10
	F8290304	Control Harness Tray	100 pound models; Models starting 10/4/10
27	70030501	Expansion Clip	
28	F8117601	Screw	
29	F8073103	Harness Tray Cover	80 pound models; Models through 10/3/10
	F8073104	Harness Tray Cover	100 pound models; Models through 10/3/10
	F8290802	Harness Tray Cover	80 pound models; Models starting 10/4/10
	F8290804	Harness Tray Cover	100 pound models; Models starting 10/4/10
30	F8161701	External Supply Label	Models UWL080K1M, UWL100K1M, UWN080K1M, UWN080K1V, UWN100K1M, UWN100K1V, UWU080K1M and UWU100K1M
31	F8059801	External Supply Connection Decal	Models UW80TV, UW100TV, UWL080T3V, UWL100T3V, UWN080T3V, UWN100T3V, UWU080T3V and UWU100T3V

# Control Module (Drawing 2 of 3)

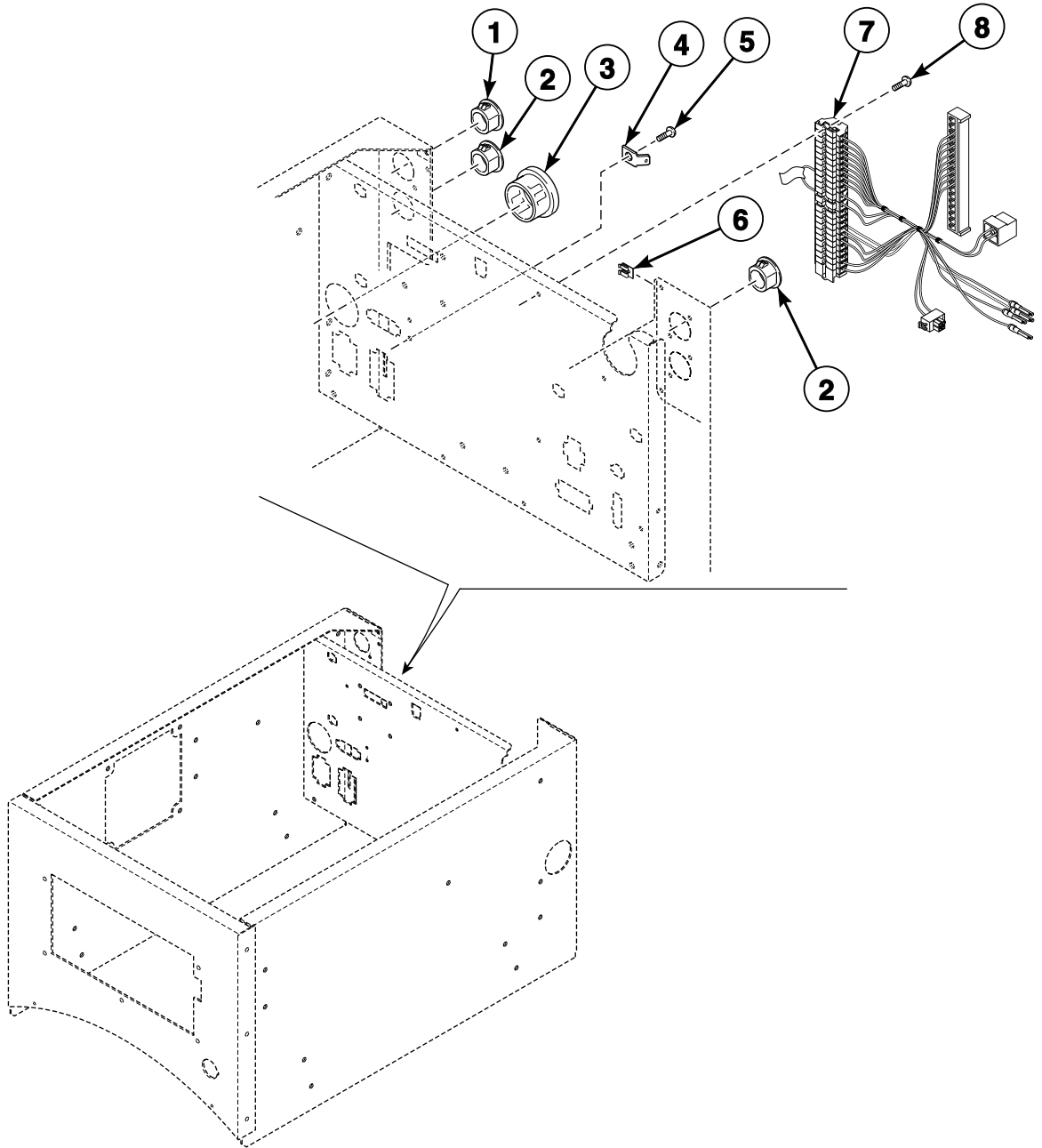


PHM3035P\_F8163601

## Control Module (Drawing 2 of 3)

REF	PART NO.	DESCRIPTION	COMMENTS
	F8028110	CFG Harness	UW80 models
	F8028111	CFG Harness	UW100 models
	44088501P	Network Wire Harness Assembly	
	F8028401	Output Auxiliary Power Harness	
	F8367801	Power Harness	Dual steam and electric heat
	F8060401P	Power Harness	All other heat
	F8030101P	Drive Control Harness	
	F8030501P	Interlock Switch Harness	Models UW80TV, UW100TV, UWL080T3V, UWL100T3V, UWN080T3V, UWN100T3V, UWU080T3V and UWU100T3V
	F8158801P	Interlock Switch Harness	All other models
	M413506	Jumper Harness Assembly	208 Volt
	M413507	Jumper Configuration Assembly	240 Volt
1	F8117601	Screw	Models UW80TV and UW100TV
	F8206901	Screw	All other models
2	F980P3	Control Assembly Kit	
	802492	Fuse	5 Amp
	802493	Fuse	2.5 Amp
3	70030501	Expansion Clip	
4	F8153901	Tubing	
5	F8246601	Tee	
6	F8153902	Tubing	
7	F8223001P	Water Pressure Switch	
8	F422500	Connector	
9	F200142	Air Trap Hose	
10	F200222	Hose Clamp	No. 12
11	201616	Transformer	External supply transformer
12	210019P	Transformer Kit	Machine control step-down transformer
13	70346501	Bushing	
14	F8108501P	Output Assembly	
15	00177	Male Tab Terminal	Models through 10/3/10
16	M405340	Snap Bushing	Models through 10/3/10
17	F430948	Screw	Models through 10/3/10
18	F430232	Nut	
19	44127701	Warning Label	
20	F140938	Snap Bushing	Models through 10/3/10
21	F8079401	Network Board Bracket	
22	F430231	Nut	
23	F110110	Muffin Fan	
24	F220900	Filter Retainer Guard	Includes item 27
25	F430910	Screw	
26	F431210	Pop Rivet	
27	F200318900P	Filter	
28	201341	Network Board Assembly	Network models
29	F430903	Screw	
30	F8189401	Auxiliary Control Assembly	Models UWL080K1M, UWL100K1M, UWN080K1M, UWN080K1V, UWN100K1M, UWN100K1V, UWU080K1M and UWU100K1M

# Control Module (Drawing 3 of 3)

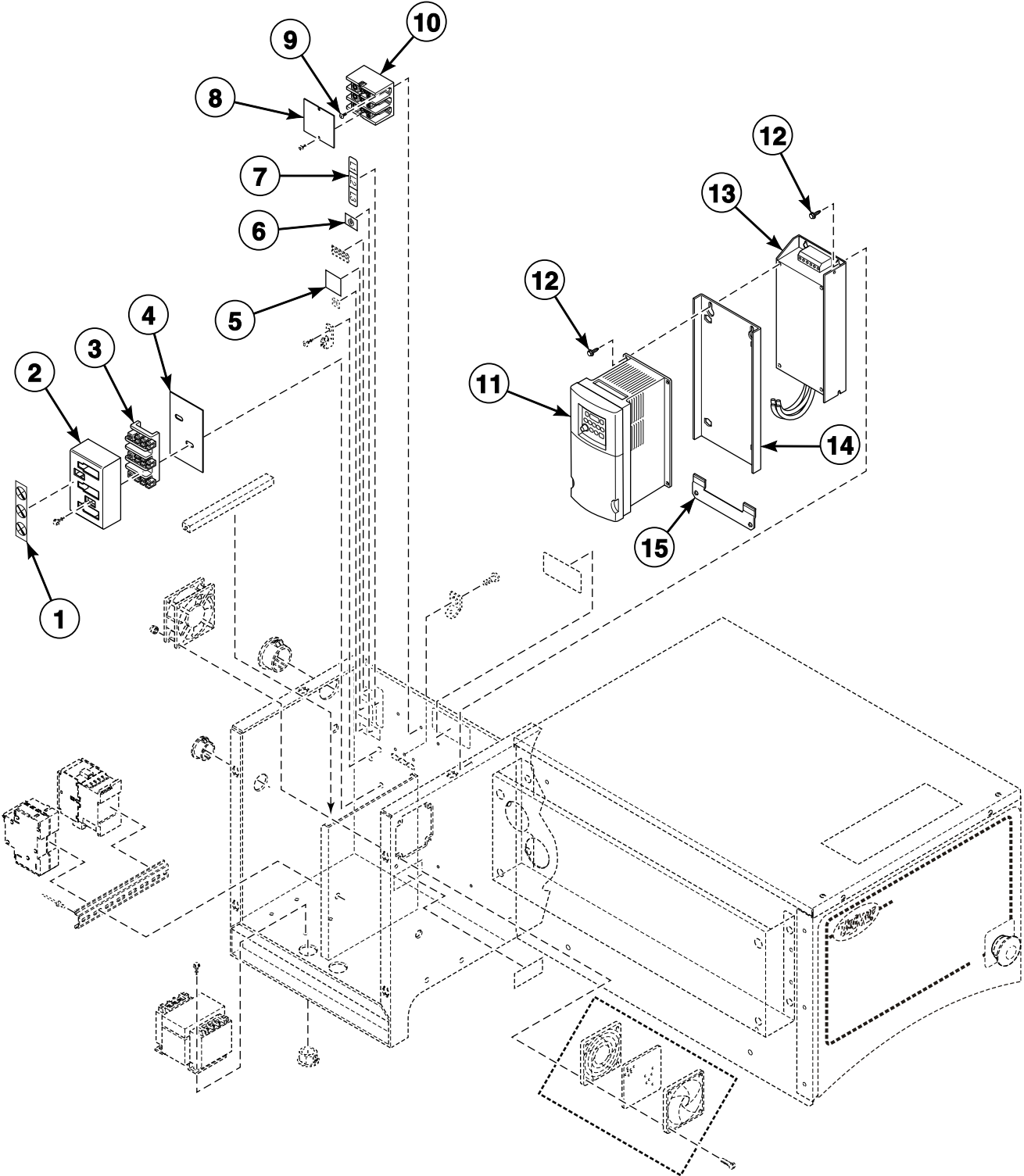


PHM3111P\_F8163601

## Control Module (Drawing 3 of 3)

REF	PART NO.	DESCRIPTION	COMMENTS
1	F180486	Cap Plug	Models UW80TV and UW100TV
	F8223901	Plug	All other models
2	F140527	Plug	Models UW80TV and UW100TV
	M400985	Plug	All other models
3	M402542	Snap Bushing	
4	00117	Female Pin Terminal	
5	51780	Screw	
6	M400984	Clip	
7	F8029501P	External Supply Harness	Models UW80TV, UW100TV, UWL080T3V, UWL100T3V, UWN080T3V, UWN100T3V, UWU080T3V and UWU100T3V
	F8191201P	External Supply Harness	All other models
8	F8136601	Screw	

# AC Drive Box (Drawing 1 of 2)



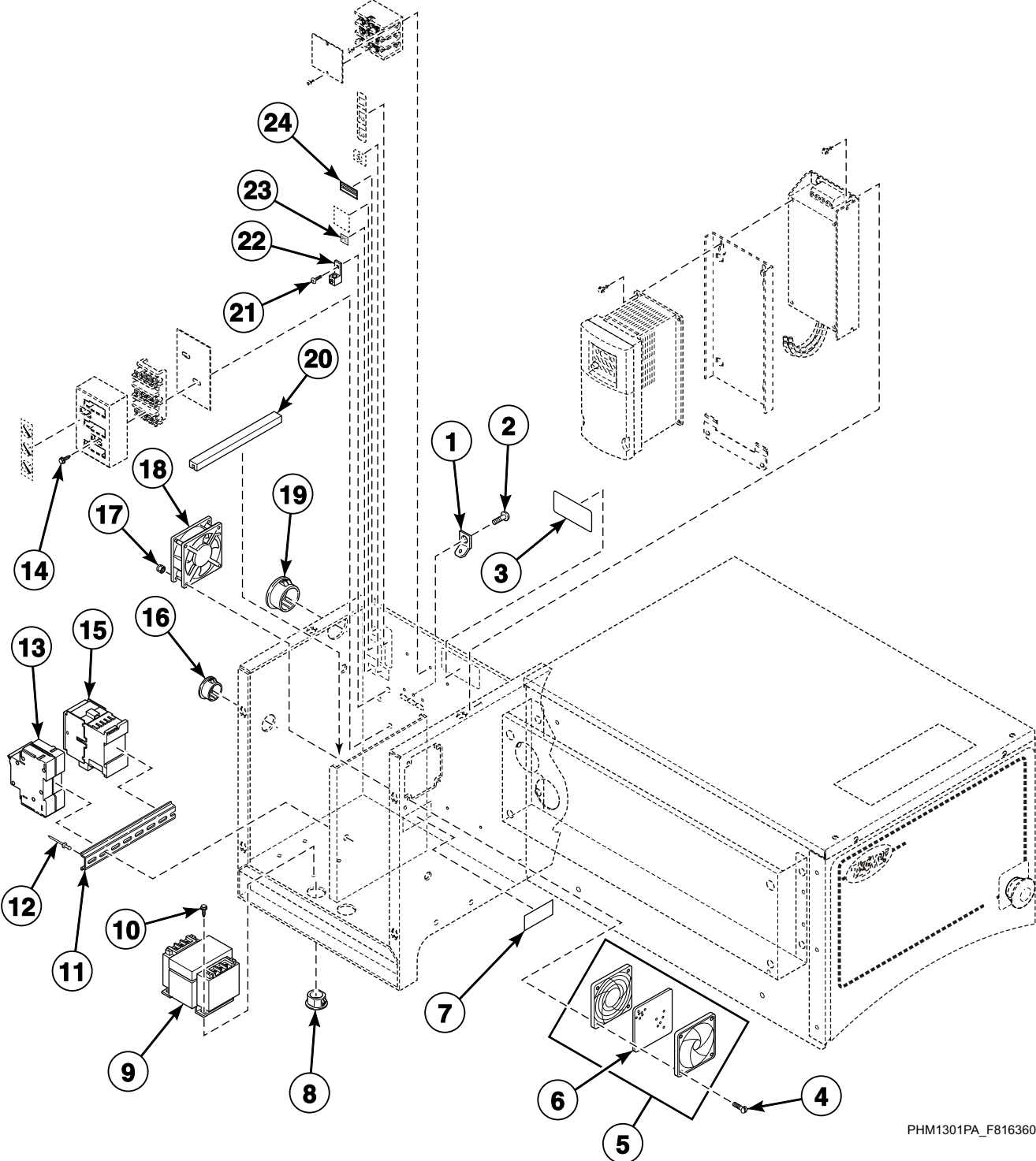
PHM1301P\_F8163601



## AC Drive Box (Drawing 1 of 2)

REF	PART NO.	DESCRIPTION	COMMENTS
	F8054901	Electric Heat Coils Harness	KM8A
	F8054903	Electric Heat Coils Harness	KM8ABC
	F8060001	Logic Supply Power Harness	
	F8028701	Output/Logic Harness	
	F8060301	Main Power Harness	
	F8054601	Electric Heat Harness	Left; Q and R-voltage
	F8054602	Electric Heat Harness	Middle; Q-voltage
	F8054603	Electric Heat Harness	Right; Q-voltage
<b>1</b>	F8345901	Do Not Tamper Label	
<b>2</b>	70333001	Terminal Block Shield	
<b>3</b>	430642	Terminal Block	
<b>4</b>	M413862	Insulator	
<b>5</b>	F230630	Ground Decal	
<b>6</b>	F230739	Ground Decal	
<b>7</b>	70218701	Wire Label	
<b>8</b>	44014901P	Power Distribution Block Cover	Electric heat
<b>9</b>	39733	Screw	Electric heat
<b>10</b>	M413865	Terminal Block	Electric heat
<b>11</b>	F8169666	AC Drive	Models UW80TV, UWL080K1M, UWL080T3V, UWN080K1M, UWN080K1V, UWN080T3V, UWU080K1M and UWU080T3V; Q-voltage
	F8169667	AC Drive	Models UW80TV, UWL080K1M, UWL080T3V, UWN080K1M, UWN080K1V, UWN080T3V, UWU080K1M and UWU080T3V; R-voltage
	F8169668	AC Drive	Models UW100TV, UWL100K1M, UWL100T3V, UWN100K1M, UWN100K1V, UWN100T3V, UWU100K1M and UWU100T3V; Q-voltage
	F8169669	AC Drive	Models UW100TV, UWL100K1M, UWL100T3V, UWN100K1M, UWN100K1V, UWN100T3V, UWU100K1M and UWU100T3V; R-voltage
	F8027802	Drive Power Harness	
	F8030201P	Drive Control Harness	
<b>12</b>	M411072	Screw	
<b>13</b>	F8054001	EMI Filter	CE models; Q-voltage
	F8054002	EMI Filter	CE models; R-voltage
	F8129001	EMI Filter Power Harness	CE models
<b>14</b>	F8386902	Drive Mounting Bracket	Models starting 10/4/10; Not needed when EMI filter is present
<b>15</b>	F8322402	Drive Bracket	Models starting 10/4/10

# AC Drive Box (Drawing 2 of 2)

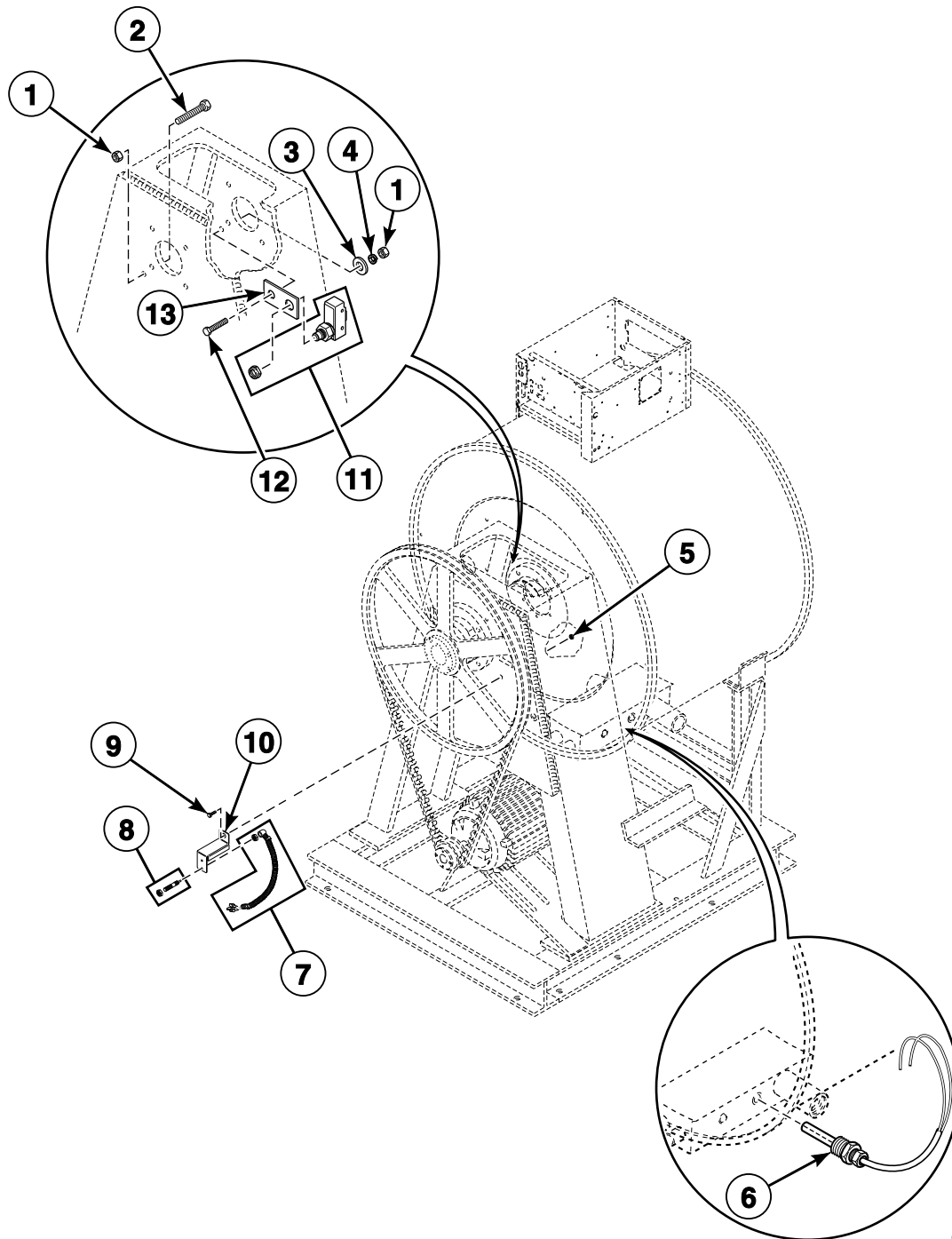


PHM1301PA\_F8163601

## AC Drive Box (Drawing 2 of 2)

REF	PART NO.	DESCRIPTION	COMMENTS
1	M411283	Ground Lug Connector	
2	F430903	Screw	
3	F8115501	Electric Shock Danger Label	
4	F8151201	Screw	
5	F220900	Filter Retainer Guard	Includes item 6
6	F0270321-00P	Filter	
7	F200061000	Clean Filter Daily Decal	
8	F8144101	Plug	
9	F360157P	Transformer	R-voltage
10	M411072	Screw	
11	F8134101	DIN Rail	
12	70058501	Pop Rivet	
13	F8303001P	Circuit Breaker	R-voltage
	70256901P	Circuit Breaker	Q and R-voltage; Electric heat
	F8030001	Harness	PDB-CB; Q and R-voltage; Electric heat
	F8030002P	Harness	CB-TB; Q and R-voltage; Electric heat
	F8405101	Step Down Power Harness	R-voltage
14	M412105	Screw	Models UW80TV and UW100TV
	51783	Screw	All other models
15	F330188P	Contactator	NX208; Q and R-voltage; Electric heat; 1 used on R-voltage models and 3 used on Q-voltage models
16	M402542	Snap Bushing	Models UW80TV and UW100TV
	F8223901	Plug	All other models
17	F430231	Nut	
18	F110110	Muffin Fan	
	F8113901	Drive Fan Harness	
19	F8223801	Hole Plug	UWL, UWN and UWU models; Electric heat
	F8223901	Plug	UWL, UWN and UWU models; Standard
20	F8152703	Trim	
21	51780	Screw	
22	00177	Male Tab Terminal	
23	M412096	Earth Terminal Sticker	
24	F8242201	Use Copper Conductors Only Caution Label	UWL, UWN and UWU models

# Balance Switch, Temperature Probe and Rotation Sensor

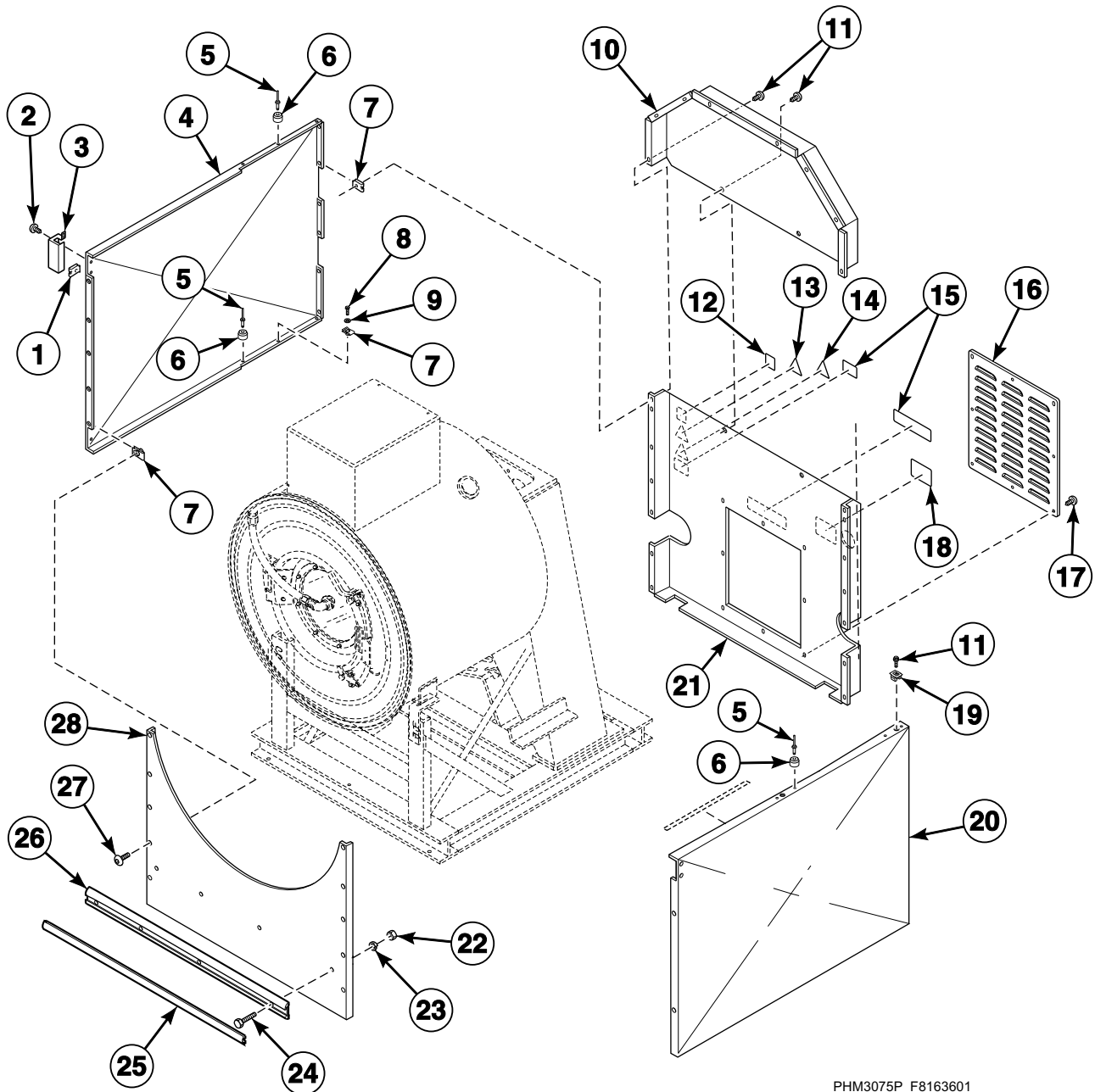


PHM2870P\_F8163601

## Balance Switch, Temperature Probe and Rotation Sensor

REF	PART NO.	DESCRIPTION	COMMENTS
1	44087301	Nut	
2	F8111101	Screw	
3	M400081	Washer	
4	M400014	Washer	
5	F430218	Nut	
6	F370609	Thermistor Sensor	
	F421936	Reducer Bushing	
	F8028221P	Temperature Harness	Electric heat
	F8028223	Temperature Harness	Standard
7	F8066401	Rotation Sensor Harness	
8	F8066201	Rotation Sensor	
9	F430927	Screw	
10	F8103101	Rotation Sensor Bracket	
11	F8165201	Door Switch	
12	F8122701	Screw	
13	F8124301	Balance Switch Bracket	

# Panels

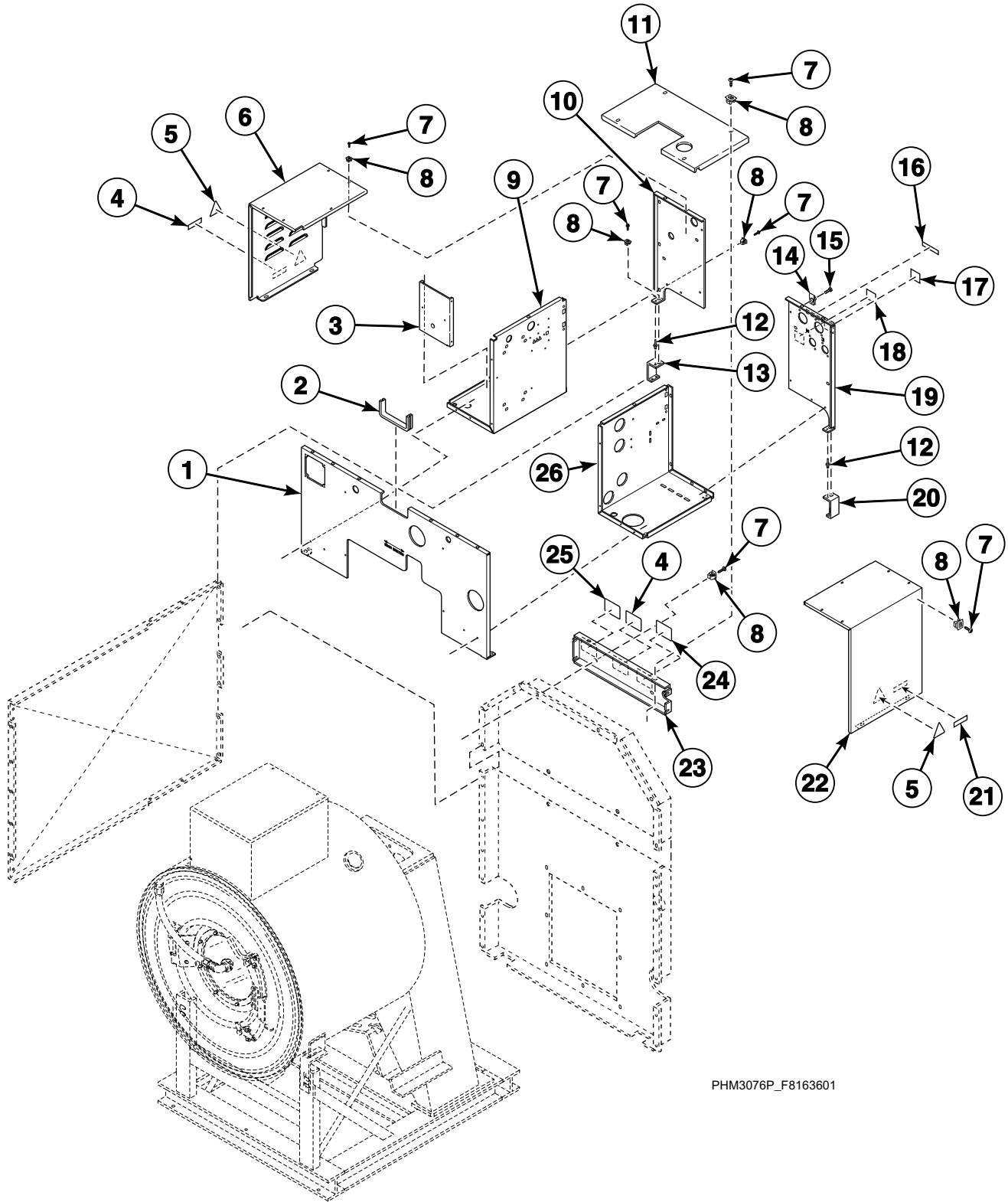


PHM3075P\_F8163601

# Panels

REF	PART NO.	DESCRIPTION	COMMENTS
1	F430264	Nut	
2	F430956	Screw	
3	F8098401	Side Panel Cover	
4	F8105702P	Left Side Panel	80 pound models
	F8106002P	Left Side Panel	100 pound models
5	M412763	Rivet	
6	56079	Panel Locator	
7	70030401	Nut	
8	20253	Screw	
9	M405535	Washer	
10	F8244301P	Upper Belt Guard	Models through 10/3/10
	F8392901	Upper Belt Guard	Models starting 10/4/10
11	F8117601	Screw	Models UW80TV and UW100TV
	F8206901	Screw	All other models
12	F200318200	Cover Decal	Models UW80TV and UW100TV
13	70360901	Belt Edging	Models UW80TV and UW100TV
14	502511	Electrical Shock Label	Models UW80TV and UW100TV
15	44127701	Warning Label	
16	F8117501	Belt Access Guard Panel	
17	70240301	Screw	
18	F8246401	Mount on Concrete Warning Label	UWL, UWN and UWU models
19	70030501	Expansion Clip	
20	F8105701P	Right Side Panel	80 pound models
	F8106001	Right Side Panel	100 pound models
21	F8244401P	Lower Belt Guard Assembly	Dual drain
	F8244402	Lower Belt Guard Assembly	Single drain
22	F430211	Nut	
23	F431100	Washer	
24	F430921	Screw	
25	F150397	Extrusion Insert	Order 4 feet
26	F150409	Rub Rail	
27	70182601	Screw	
28	F8096201P	Front Panel	

# Drive Box and Water Supply Box - Models Through 10/3/10



PHM3076P\_F8163601



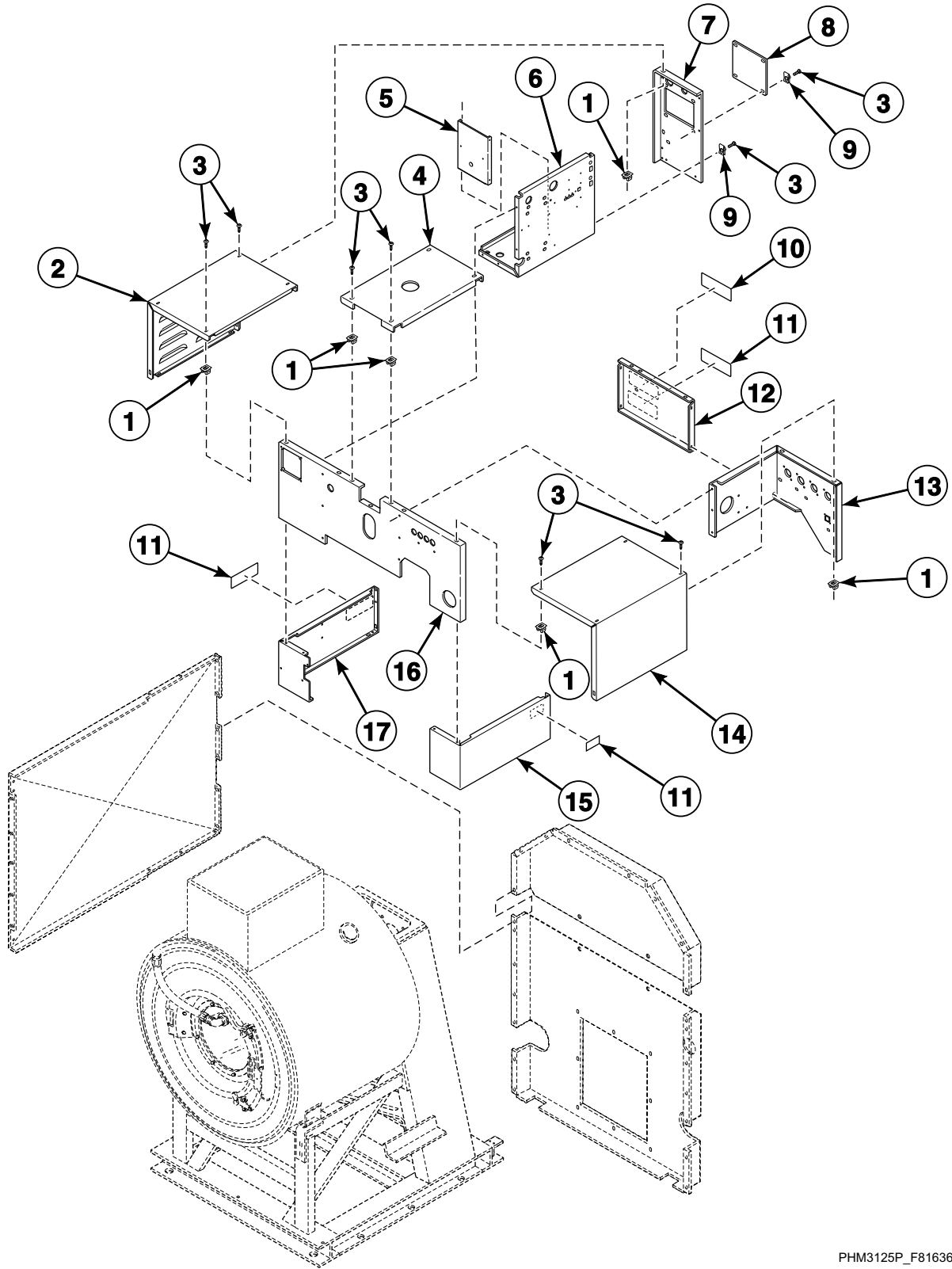
## Drive Box and Water Supply Box - Models Through 10/3/10

REF	PART NO.	DESCRIPTION	COMMENTS
1	F8105601	Front Box Cover	Models UW80TV and UW100TV
	F8283601	Front Bulkhead Panel	All other models
2	F170402P	Gasket	2 feet used
3	F8120201	Partition	
4	44127701	Warning Label	
5	502511	Electrical Shock Label	
6	F8105102	Left Side Cover	Models UW80TV and UW100TV
	F8283902	Left Side Cover	All other models
7	F8117601	Screw	Models UW80TV and UW100TV
	F8206901	Screw	All other models
8	70030501	Expansion Clip	
9	F8105201	Drive Box Bottom	Models UW80TV and UW100TV
	F8284001	Drive Box Bottom Panel	All other models
10	F8118702	Rear Drive Box Panel	Models UW80TV and UW100TV
	F8283802	Drive Box Rear Panel	All other models
11	F8105401	Top Cover Panel	
12	70058501	Pop Rivet	UWL, UWN and UWU models
13	F8302602	Support Bracket	UWL, UWN and UWU models
14	70030401	Nut	
15	20253	Screw	
16	F230734	Water Line Caution Decal	Models UW80TV and UW100TV
17	N/A	Cold Water Label	
18	N/A	Hot Water Label	
19	F8118701	Rear Water Box Panel	Models UW80TV and UW100TV
	F8283801	Water Box Rear Panel	All other models
20	F8302601	Support Bracket	UWL, UWN and UWU models
21	F8233501	Warning Label	UWL, UWN and UWU models
22	F8105101	Right Side Cover	Models UW80TV and UW100TV
	F8283901	Right Side Cover	All other models
23	F8099301	Top Support Brace	
24	F8099701	Conversion Label	UWL, UWN and UWU models; 200-208 VAC
	F8099801	Conversion Label	UWL, UWN and UWU models; 380-415 VAC
25	F8211901	Hot Surface Warning Plate	UWL, UWN and UWU models
26	F8105301	Water Box Bottom	Models UW80TV and UW100TV
	F8283701	Water Box Bottom Panel	All other models

**N/A = Part no longer available**

# Drive Box and Water Supply Box - Models Starting 10/4/10

UWL, UWN and UWU Models



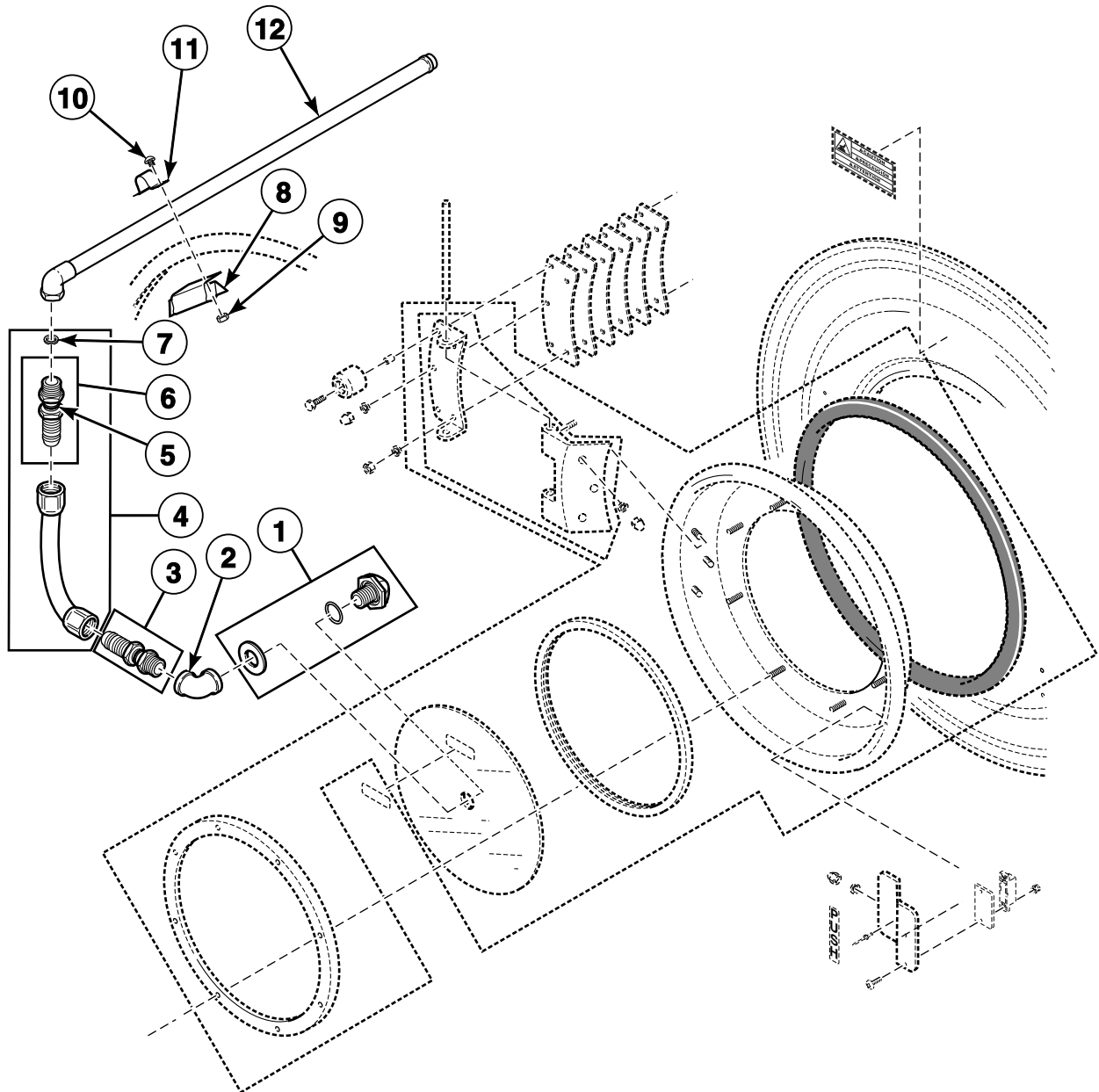
PHM3125P\_F8163601

## Drive Box and Water Supply Box - Models Starting 10/4/10

REF	PART NO.	DESCRIPTION	COMMENTS
1	70030501	Expansion Clip	
2	F8365002	Left Side Cover	
3	F8206901	Screw	
4	F8352702	Top Cover Panel	
5	F8375901	Drive Box Partition	
6	F8375601	Drive Mounting Box	
7	F8376001	Drive Box Rear Panel	
8	F8377601	Electrical Access Panel	
9	F430264	Nut	
10	F8099701	Conversion Label	200-208 VAC
	F8099801	Conversion Label	380-415 VAC
11	44127701	Warning Label	
12	F8346502	Rear Center Panel	
13	F8374901	Back Water Panel	
14	F8365001	Right Side Cover	
15	F8364801	Side Water Box Panel	
16	F8376101	Front Bulkhead Panel	
17	F8364901	Side Electrical Box Panel	

# Spray Tube Assembly - Models Through 10/3/10

Models UW80TV, UW100TV, UWL080T3V, UWL100T3V, UWN080T3V, UWN100T3V, UWU080T3V and UWU100T3V

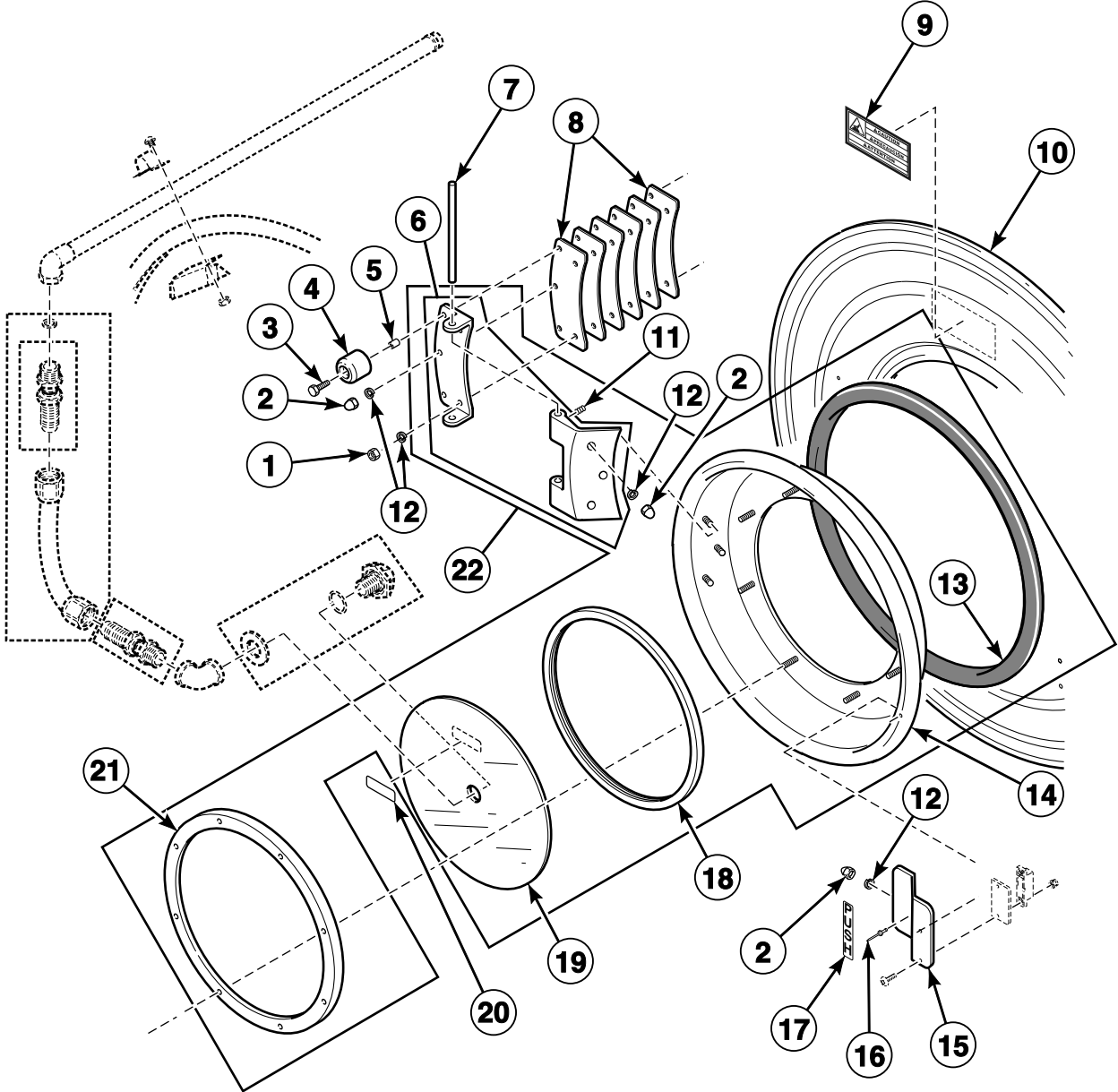


PHM2871P\_F8163601

## Spray Tube Assembly - Models Through 10/3/10

REF	PART NO.	DESCRIPTION	COMMENTS
1	F730077	Spray Rinse Nozzle Kit	
2	F422319	Elbow	
3	F422109	No-Swivel Coupling	
4	F730024	Spray Rinse Hose Kit	Includes items 5-7
5	F170201	O-Ring	
6	F422108	Swivel Coupling	
7	F310206	Ring Retainer	
8	F602901P	Spray Rinse Bracket Assembly	Includes items 9 and 10
9	F431022	Nut	
10	F430917	Screw	
11	F602880	Spray Rinse Strap	
12	F8126202	Spray Pipe Assembly	

# Door Assembly - Models Through 10/3/10



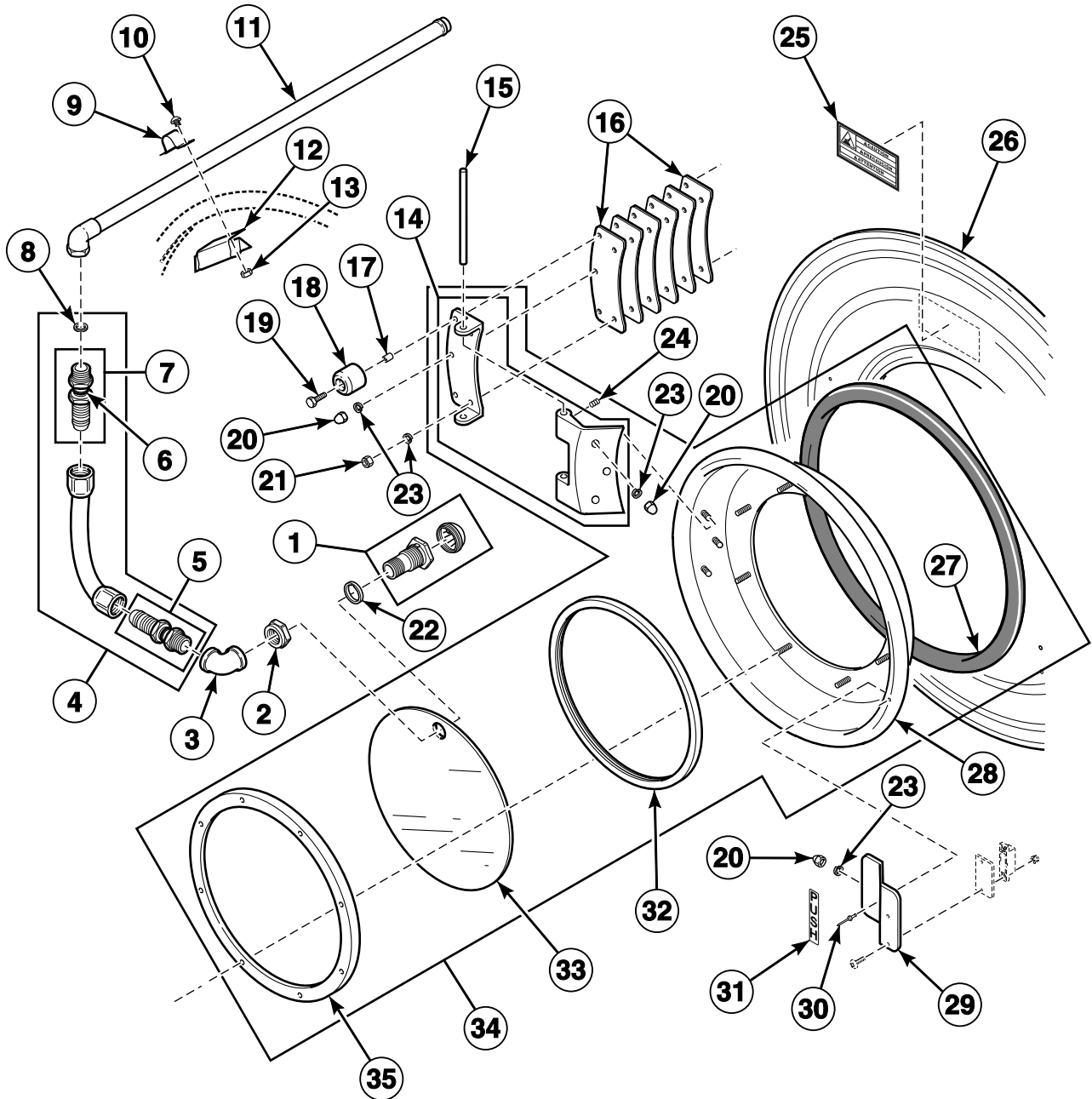
PHM2871PA\_F8163601

## Door Assembly - Models Through 10/3/10

REF	PART NO.	DESCRIPTION	COMMENTS
1	F431005	Nut	
2	F431026	Nut	
3	F430103	Screw	
4	F150366	Door Bumper Moulding	
5	F430416	Door Bumper Bushing	
6	F200030600P	Door Hinge Strap Kit	
7	F601815	Door Hinge Pin	
8	F0610695-00	Door Butt Shim	
9	F200085000	Hot Surface Warning Decal	
10	F8011301P	Shell Front Kit	Includes item 9 and F170120RP Shell Band Gasket
	F200120000	Shell Front Assembly	Includes items 1, 2, 4-6, 8, 9, 12, F150201 Top Latch Bracket Casting, F150202 Lower Door Latch Bracket Casting, F150203 Door Handle Casting, F150204 Lower Door Latch Casting and F430939 Screw
11	F430502	Screw	
12	F431100	Washer	
13	F170145	Door Gasket	Black
	F017014501	Door Gasket	Gray
14	F730307	Door Kit	Studded
15	F746202-1	Push Handle Kit	Includes item 17, F340703 Magnet, F430231 Nut, F430916 Screw, F431108 Washer, F431125 Washer, F603683 Door Push Brace and F607257 Push Handle
16	F431210	Pop Rivet	
17	F230303	Push Decal	
18	F170117	Door Glass Gasket	
19	F290200P	Door Glass Kit	With hole; Models UW80TV, UW100TV and all other models with a 3 in the 8th position
	F290201P	Glass	Without hole; All other models
20	F230652	Clockwise Spin Rotation Decal	
21	F601239	Door Glass Retainer	
22	F730540	Door Kit	With hole; Models UW80TV, UW100TV and all other models with a 3 in the 8th position; Includes items 2, 6, 11-15, 17-19, 21, F410102 Clear Sealant, F340703 Magnet, F430232 Nut and F430909 Screw
	F730095	Door Kit	Without hole; All other models; Includes items 2, 6, 11-15, 17-19, 21, F410102 Clear Sealant, F340703 Magnet, F430232 Nut and F430909 Screw

# Door and Spray Tube Assembly - Models Starting 10/4/10

UWL, UWN and UWU Models



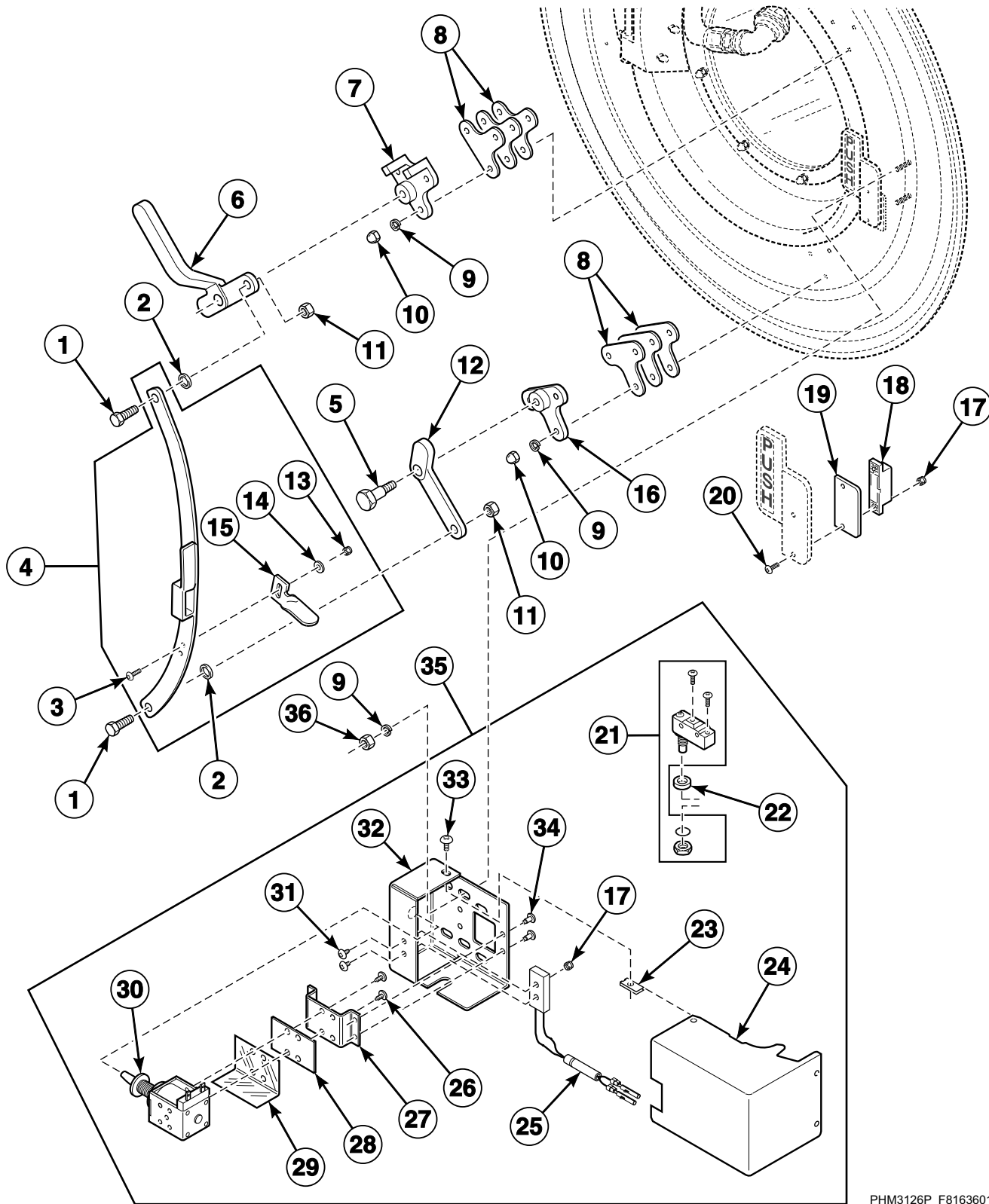
PHM3136P\_F8163601



## Door and Spray Tube Assembly - Models Starting 10/4/10

REF	PART NO.	DESCRIPTION	COMMENTS
1	F8356301	Door Spray Nozzle Assembly	Models with 3 in the 8th position
2	F8322601	Nut	Models with 3 in the 8th position
3	F422319	Elbow	Models with 3 in the 8th position
4	F8379801	Spray Rinse Hose Assembly	Includes items 5-8; Models with 3 in the 8th position
5	F422109	No-Swivel Coupling	Models with 3 in the 8th position
6	F170201	O-Ring	Models with 3 in the 8th position
7	F422108	Swivel Coupling	Models with 3 in the 8th position
8	F310206	Ring Retainer	Models with 3 in the 8th position
9	F602880	Spray Rinse Strap	Models with 3 in the 8th position
10	F430917	Screw	Models with 3 in the 8th position
11	F8126202	Spray Pipe Assembly	Models with 3 in the 8th position
12	F602901P	Spray Rinse Bracket Assembly	Includes items 10 and 13; Models with 3 in the 8th position
13	F431022	Nut	Models with 3 in the 8th position
14	F200030600P	Door Hinge Strap Kit	Includes items 25 and 37
15	F601815	Door Hinge Pin	
16	F0610695-00	Door Butt Shim	
17	F430416	Door Bumper Bushing	
18	F150366	Door Bumper Moulding	
19	F430103	Screw	
20	F431026	Nut	
21	F431005	Nut	
22	F8322701	Spray Nozzle Gasket	Models with 3 in the 8th position
23	F431100	Washer	
24	F430502	Screw	
25	F200085000	Hot Surface Warning Decal	
26	F8011301P	Shell Front Kit	Includes item 25 and F170120RP Shell Band Gasket
	F200120000	Shell Front Assembly	Includes items 14, 16-18, 21, 23, 25, F150201 Top Latch Bracket Casting, F150202 Lower Door Latch Bracket Casting, F150203 Door Handle Casting, F150204 Lower Door Latch Casting and F430939 Screw
27	F170143	Door Gasket	Black
	F017014301	Door Gasket	Gray
28	F730307	Door Kit	Studded
29	F746201-1	Push Handle Kit	Includes item 31, F340703 Magnet, F430231 Nut, F430916 Screw, F431108 Washer, F431125 Washer, F603683 Door Push Brace and F607257 Push Handle
30	F431210	Pop Rivet	
31	F230303	Push Decal	
32	F170117	Door Glass Gasket	
33	F8350501	High Hole Glass	Models with 3 in the 8th position
	F290201P	Glass	Without hole; All other models
34	F8350701	Door Assembly	Models with 3 in the 8th position; Includes items 20, 22-24, 27-29, 32 and 33
	F730095	Door Kit	All other models; Without hole; Includes items 14, 20, 23-24, 27-29, 31-33, 35, F410102 Clear Sealant, F340703 Magnet, F430232 Nut and F430909 Screw
35	F601239	Door Glass Retainer	

# Door Lock

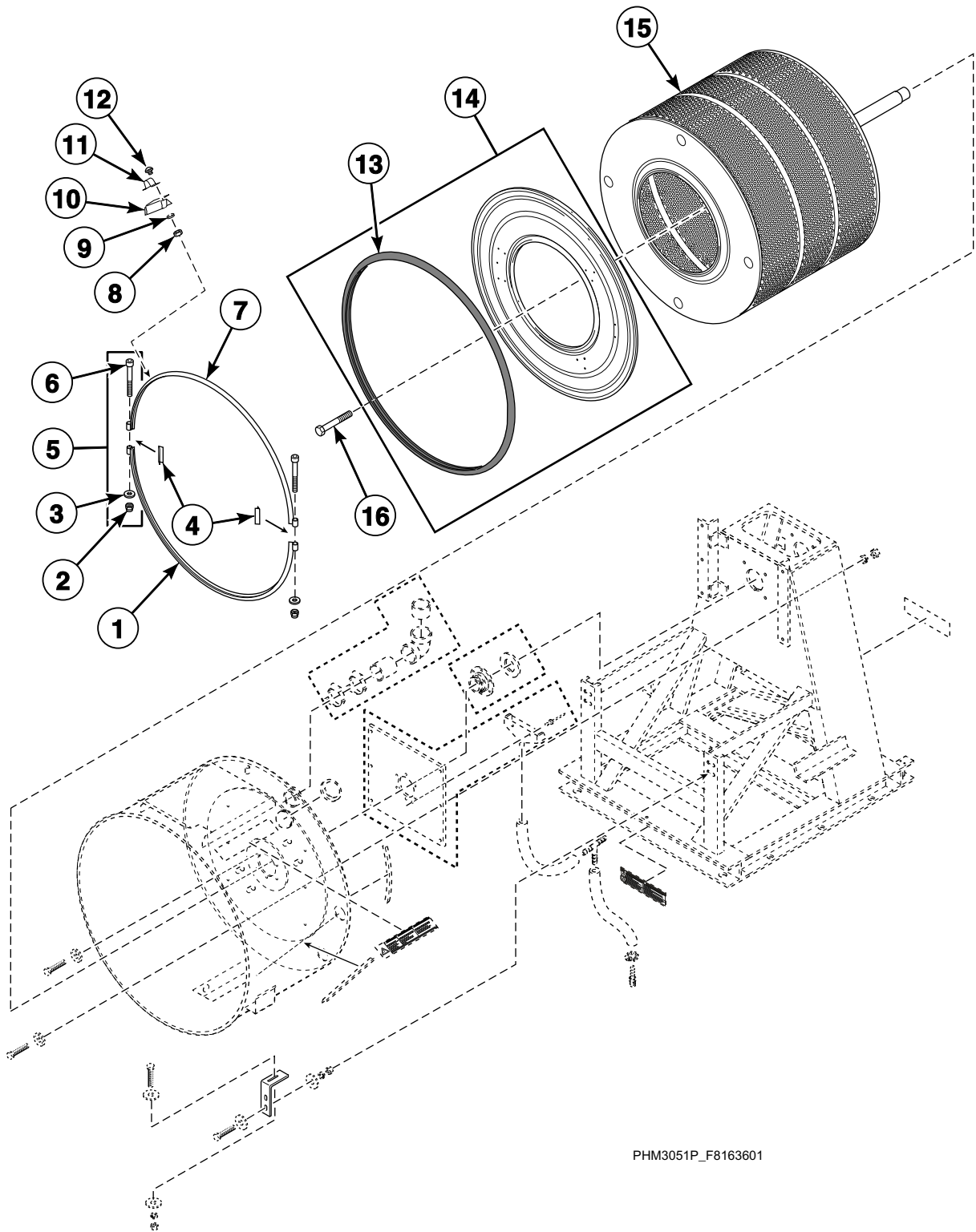


PHM3126P\_F8163601

# Door Lock

REF	PART NO.	DESCRIPTION	COMMENTS
	F8029101	Door Lock Harness	
1	F430927	Screw	
2	F431118	Washer	
3	F430916	Screw	
4	F8062001	Extension Arm Assembly	Includes items 3 and 13-15
5	F430168	Screw	
6	F150203	Door Handle Casting	
7	F150201P	Top Latch Bracket Casting	
8	F602058	Door Latch Bracket Shim	
9	F431100	Washer	
10	F431026	Nut	
11	F430202	Nut	
12	F150204	Lower Door Latch Casting	
13	F430231	Nut	
14	F431108	Washer	
15	F601639	Extension Arm Tab	
16	F150202	Lower Door Latch Bracket Casting	
17	F430231	Nut	
18	F8390801	Magnet	
19	F609822	Handle Spacer	
20	F430909	Screw	
21	F8165201	Door Switch	
22	F601055	Interlock Switch Spacer	
23	F430264	Nut	
24	F8132201	Door Lock Cover	
25	F8066801P	Reed Switch Assembly	
26	F430995	Screw	
27	F8127501	Solenoid Mount Bracket	
28	F8133601	Door Lock Solenoid Shim	
29	F8135301	Door Lock Dielectric Shield	
30	F300129P	Door Lock Solenoid	
31	F430917	Screw	
32	F8127401	Lock Bracket	
33	F430956	Screw	
34	F431210	Pop Rivet	
35	F8127703P	Door Lock Assembly	Includes items 17 and 21-34
36	802337	Nut	

# Basket, Shell and Frame (Drawing 1 of 2)

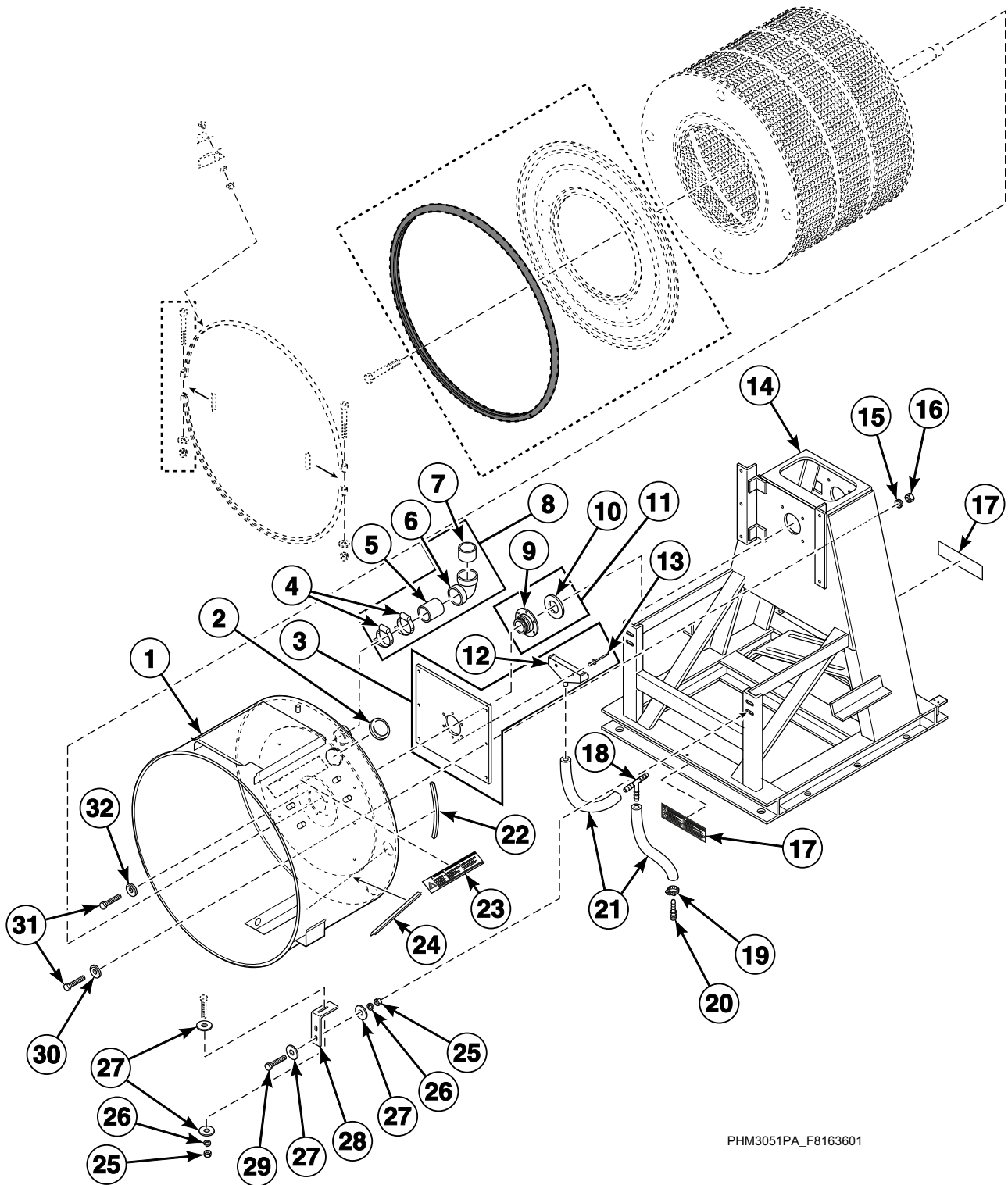


PHM3051P\_F8163601

## Basket, Shell and Frame (Drawing 1 of 2)

REF	PART NO.	DESCRIPTION	COMMENTS
1	F603911	Shell Band Assembly	Bottom
2	F430215	Nut	
3	F430317	Washer	
4	F601216	Shell Gasket Shield	
5	F791001	Shell Band Fastener Kit	Includes items 2, 3 and 6
6	F430518	Screw	
7	F603910	Shell Band Assembly	Top
8	F431022	Nut	
9	F431113	Washer	
10	F602901P	Spray Rinse Bracket Assembly	
11	F602880	Spray Rinse Strap	
12	F430917	Screw	
13	F170120RP	Shell Band Gasket	Models UW80TV and UW100TV
	F8302002	Shell Band Gasket	All other models
14	F8011301P	Shell Front Kit	Includes item 13 and F200085000 Hot Surface Warning Decal
15	F632403	Basket Assembly	Models UW80TV, UWL080T3V, UWN080T3V and UWU080T3V
	F630764	Basket Assembly	Models UW100TV, UWL100T3V, UWN100T3V and UWU100T3V
16	70391101	Screw	

# Basket, Shell and Frame (Drawing 2 of 2)

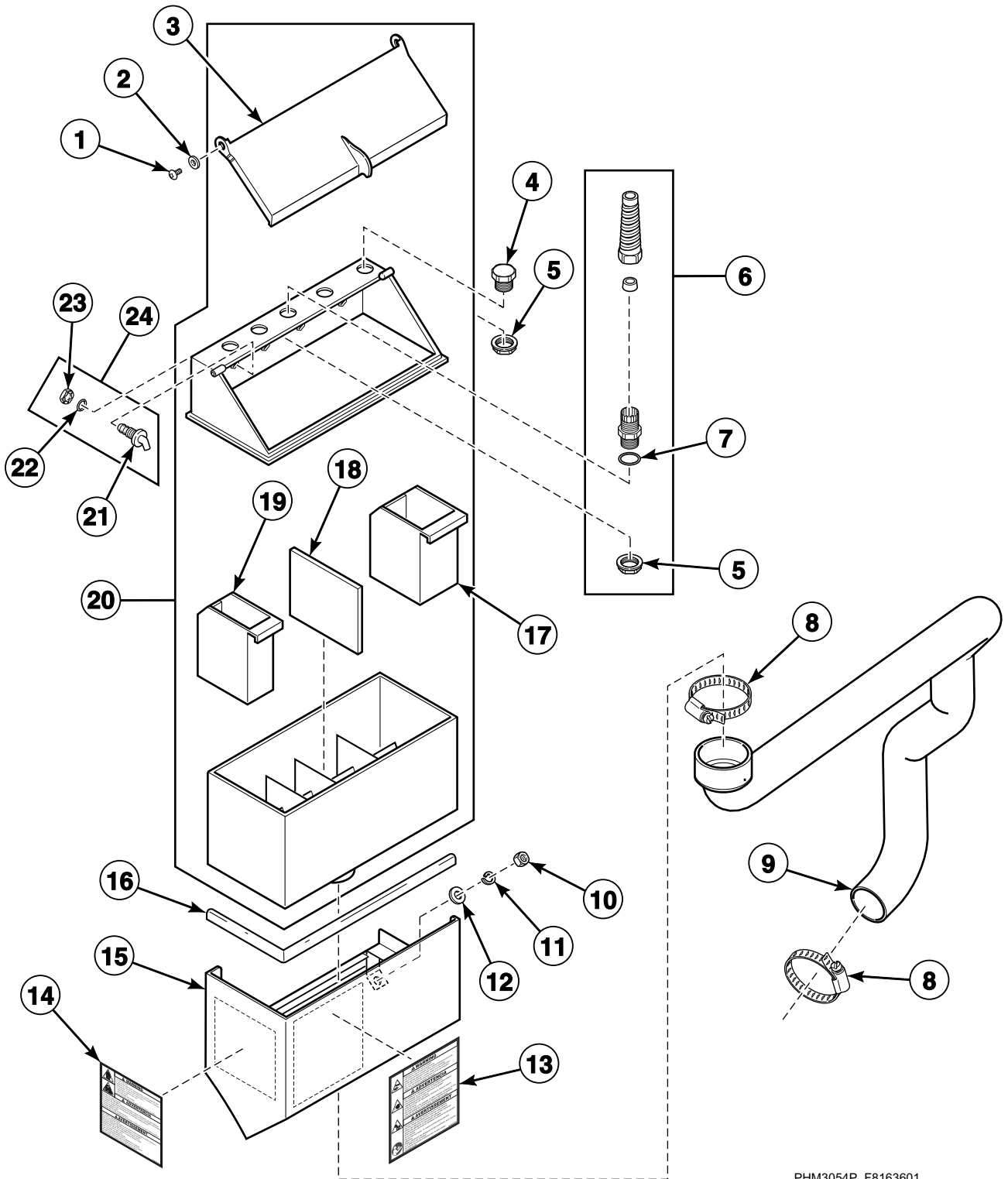


PHM3051PA\_F8163601

## Basket, Shell and Frame (Drawing 2 of 2)

REF	PART NO.	DESCRIPTION	COMMENTS
1	F8082501	Shell Weldment	Model UW80TV; Standard
	F8082502	Shell Weldment	Model UW80TV; Electric heat
	F8273401	Shell Weldment	UWL080, UWN080 and UWU080 models through 10/3/10; Standard
	F8378001	Shell Weldment	UWL080, UWN080 and UWU080 models starting 10/4/10; Standard
	F8273402	Shell Weldment	UWL080, UWN080 and UWU080 models through 10/3/10; Electric heat
	F8378002	Shell Weldment	UWL080, UWN080 and UWU080 models starting 10/4/10; Electric heat
	F8082801	Shell Weldment	Model UW100TV; Standard
	F8082802	Shell Weldment	Model UW100TV; Electric heat
	F8273501	Shell Weldment	UWL100, UWN100 and UWU100 models through 10/3/10; Standard
	F8378101	Shell Weldment	UWL100, UWN100 and UWU100 models starting 10/4/10; Standard
	F8273502	Shell Weldment	UWL100, UWN100 and UWU100 models through 10/3/10; Electric heat
	F8378102	Shell Weldment	UWL100, UWN100 and UWU100 models starting 10/4/10; Electric heat
2	F0200237-00	Plug	
3	F8084201	Shell Reinforcement Plate Assembly	Includes items 12 and 13
4	F200213	Hose Clamp	
5	F0603139-03	Drain Hose	
6	F422900	Elbow	
7	F0602364-04	Pipe	
8	F8261301	Vent Hose	Includes items 4-7
9	F8162001	Face Seal	Standard
	F8161901	Face Seal	Viton
10	F100204	Slinger	
11	F798827-00	Seal Kit	Includes items 9 and 10, F170120RP Shell Band Gasket and sealant; Standard seal
12	F150389	Scupper	
13	F431215	Pop Rivet	
14	F8088701	Frame Weldment	80 pound models
	F8090501	Frame Weldment	100 pound models
15	M400013	Washer	
16	70142	Nut	
17	44127701	Warning Label	
18	F8137401	Tee	
19	36801	Hose Clamp	No. 6
20	F421929	Hose Barb	
21	F200107P	Water Hose	
22	F100284	Trim Seal	1.5 feet
23	F200085500	Moving Parts Plug Warning Decal	
24	F150364	Drip Rail	
25	F430205	Nut	
26	M400014	Washer	
27	M400081	Washer	
28	F601806	Shell Mounting Bracket	
29	F430924	Screw	
30	F431116	Washer	
31	F430913	Screw	
32	F431112	Washer	

# Supply Dispenser



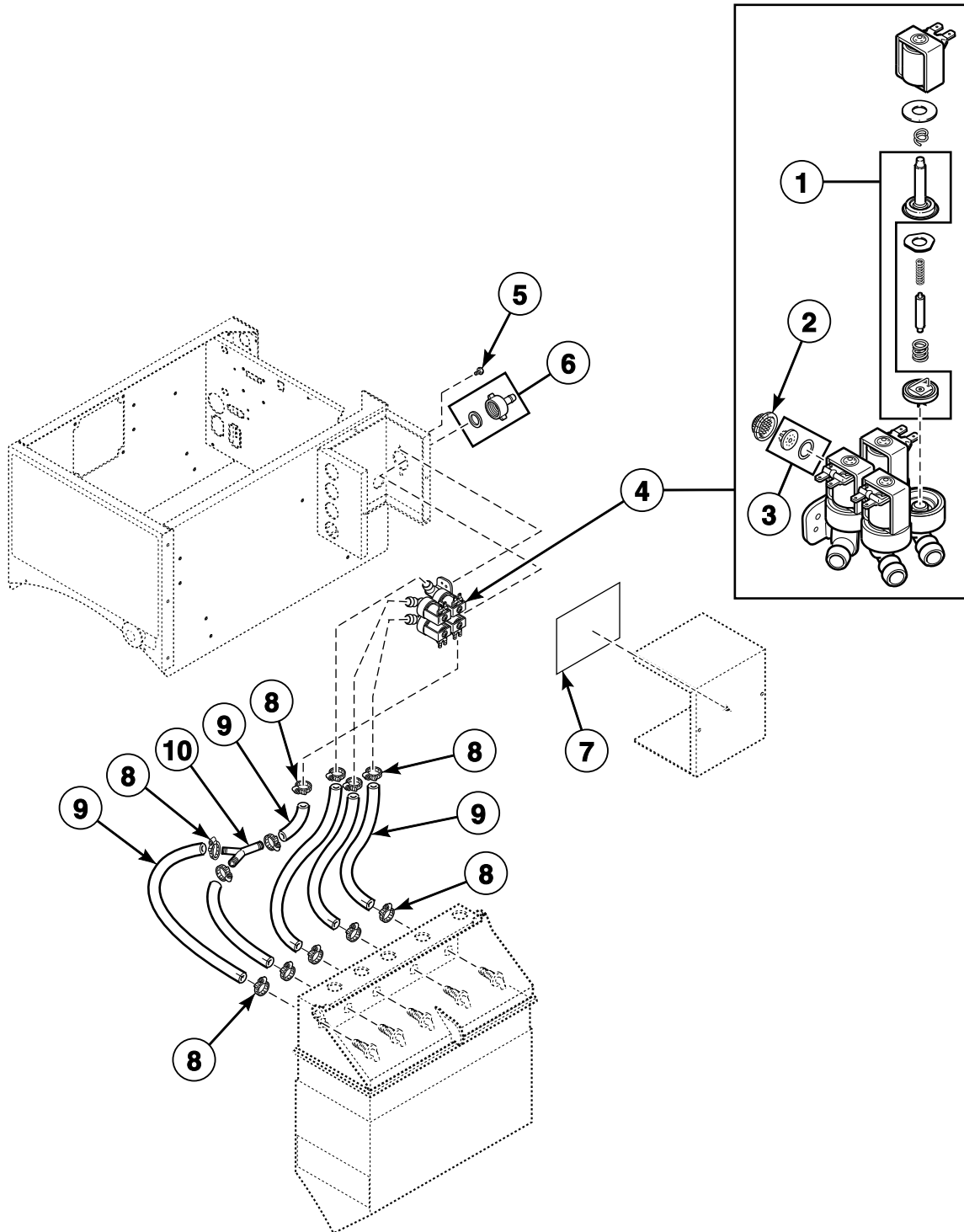
PHM3054P\_F8163601



# Supply Dispenser

REF	PART NO.	DESCRIPTION	COMMENTS
1	F430917	Screw	
2	F8195301	Washer	
3	F0150514-00	Dispenser Lid	
4	F190304	Plug Cap	
5	F140340P	Strain Relief Connector	
6	F749802	Strain Relief Adapter Kit	Includes items 5 and 7
7	F170215	O-Ring	
8	F200213	Hose Clamp	No. 40
9	F150471	Chemical Supply Hose	Model UW80TV
	F8265601	Chemical Supply Hose	UWL080, UWN080 and UWU080 models
	F0150470-00	Chemical Supply Hose	Model UW100TV
	F8265801	Chemical Supply Hose	UWL100, UWN100 and UWU100 models
10	F431005	Nut	
11	F431100	Washer	
12	F431147	Washer	
13	F200085300	Hot Water and Chemical Caution Decal	
14	F200085100	Spin Warning Decal	
15	F8024301	Soap Dispenser Shroud Weldment	
16	F170400RP	Trim	
17	F150386	Chemical Supply Cup	32 ounce; 2 used
18	F0150525-00	Supply Dispenser Spacer	
19	F150385	Chemical Supply Cup	20 ounce; 3 used
20	F0150512-00P	Dispenser Assembly	Includes items 3 and 17-19
21	F8322001	Injection Nozzle	
22	F170208	O-Ring	
23	802292	Nut	
24	F730168	Injection Nozzle Kit	Includes items 21-23

# Water Supply Valve and Hoses to Supply Dispenser - Models Through 10/3/10



PHM3037P\_F8163601

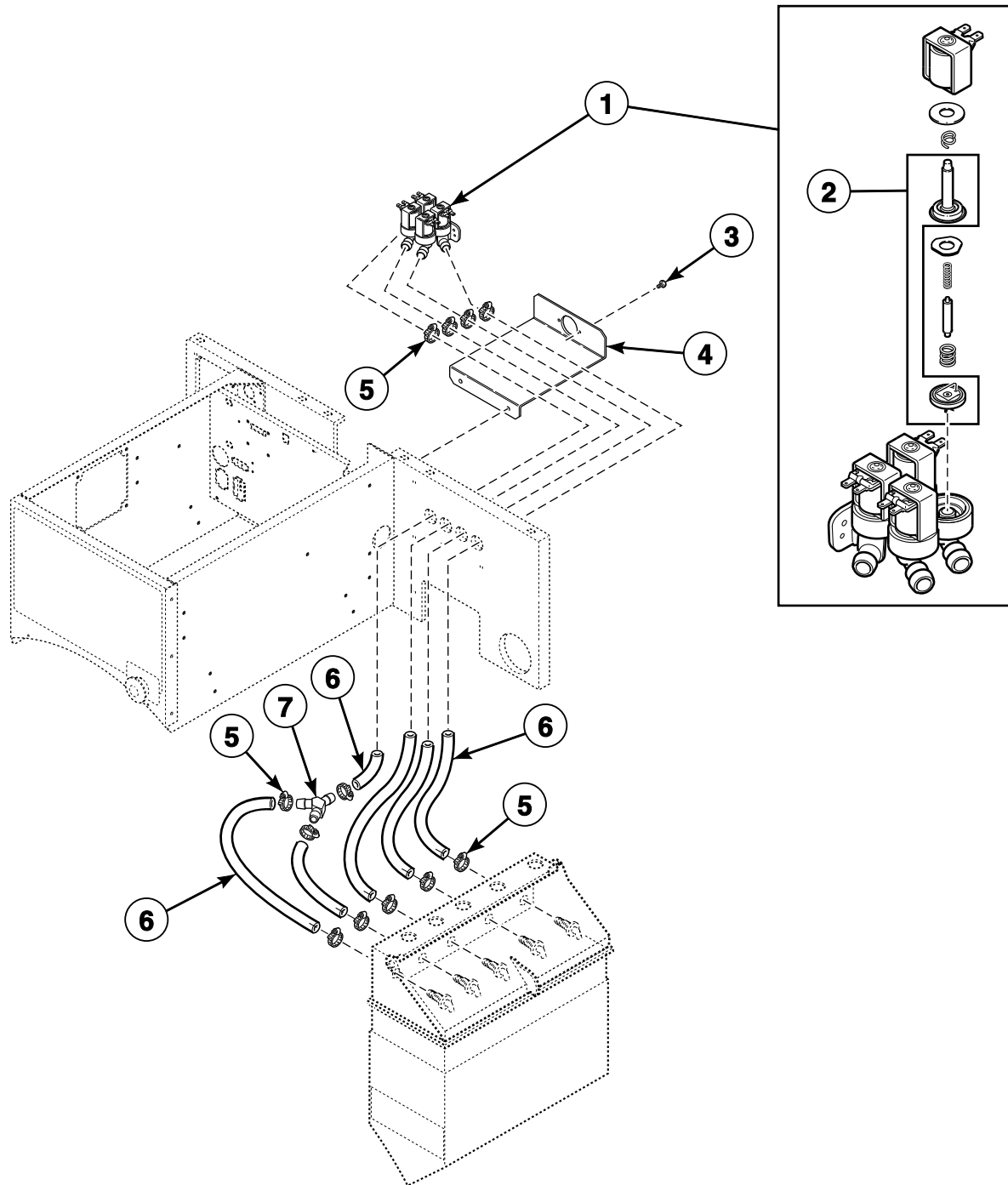
## Water Supply Valve and Hoses to Supply Dispenser - Models Through 10/3/10

REF	PART NO.	DESCRIPTION	COMMENTS
1	G582P3	Diaphragm and Guide Kit	
2	F270200	Strainer	
3	N/A	Flow Restrictor	8 liter
4	F381723P	4-Way Valve	220 Volt
	F8091601P	Dispenser Valve Harness	
5	F430948	Screw	
6	F200302	Hose Connector	
7	F230754	Water Valve Assembly Decal	
8	36801	Hose Clamp	No. 6
9	F200110P	Water Hose	
10	F422816	Y Connector	

**N/A = Part no longer available**

# Water Supply Valve and Hoses to Supply Dispenser - Models Starting 10/4/10

UWL, UWN and UWU Models



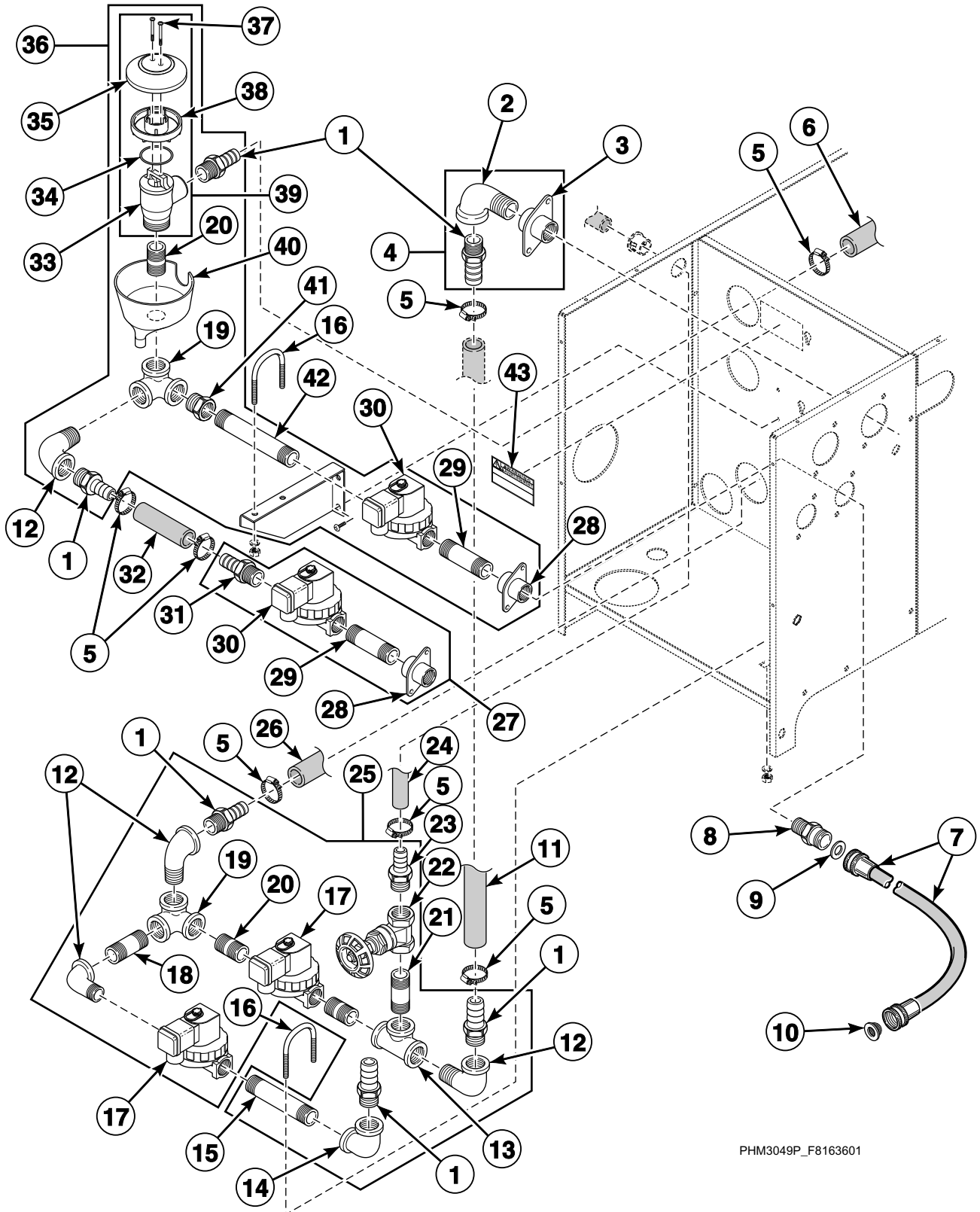
PHM3117P\_F8163601

## Water Supply Valve and Hoses to Supply Dispenser - Models Starting 10/4/10

REF	PART NO.	DESCRIPTION	COMMENTS
1	F8336601	4-Way Valve	240 Volt; Includes regulator
	F8347301	Dispenser Valve Harness	
2	G582P3	Diaphragm and Guide Kit	
3	F430948	Screw	
4	F8331901	Valve Mounting Bracket	
5	36801	Hose Clamp	No. 6
6	F200110P	Water Hose	
7	F422816	Y Connector	

# Spray and Fill Plumbing Assemblies - Models Through 10/3/10

Models UW80TV, UW100TV, UWL080T3V, UWL100T3V, UWN080T3V, UWN100T3V, UWU080T3V and UWU100T3V



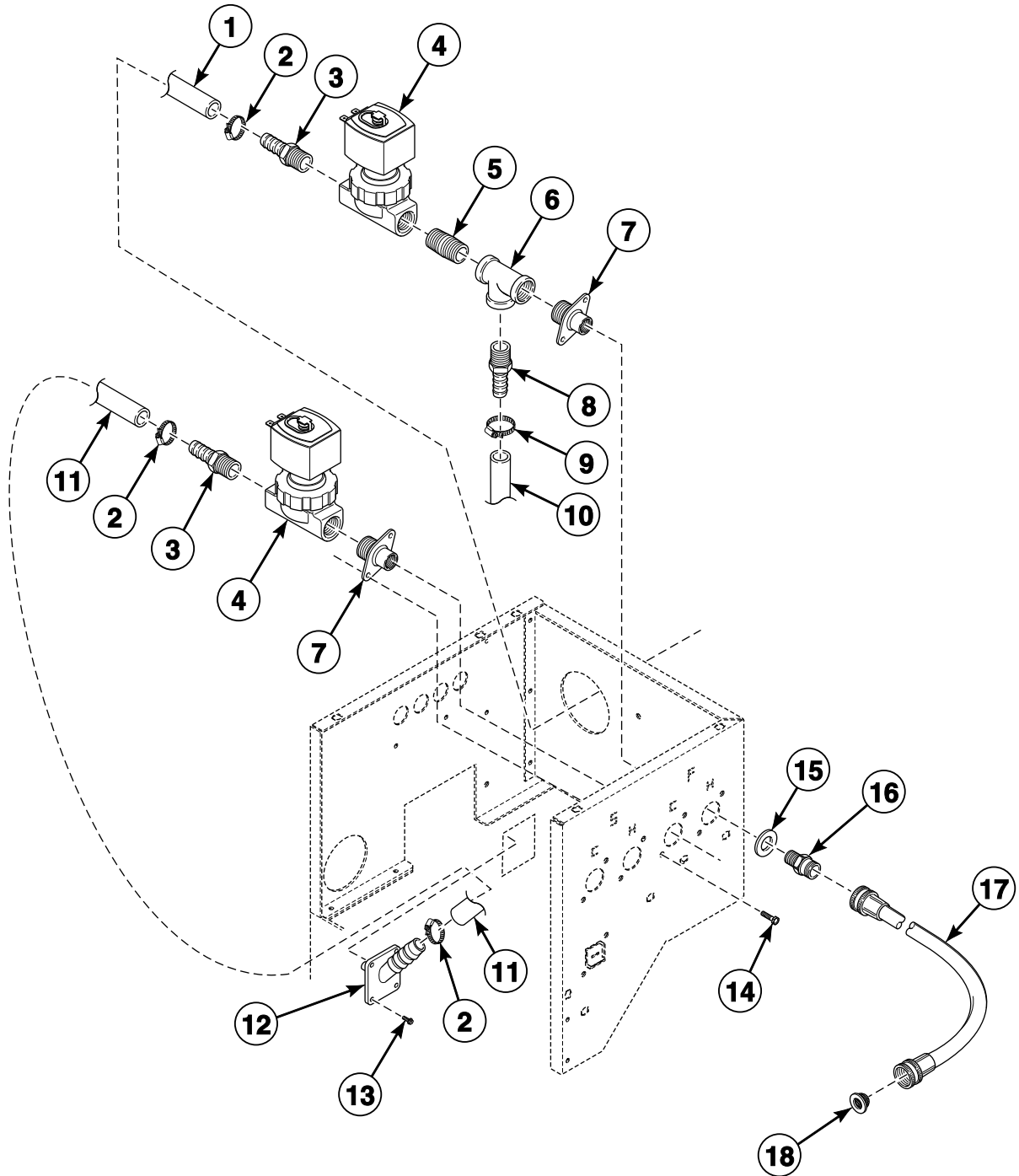
PHM3049P\_F8163601

# Spray and Fill Plumbing Assemblies - Models Through 10/3/10

REF	PART NO.	DESCRIPTION	COMMENTS
	F8073601P	Supply/Fill Module Harness	
	F8073701P	Fill/Spray Valve Harness	
1	F421951	Hose Barb	
2	F420502	Street Elbow	
3	F8154502	Coupling	
4	F8117101	Fill Plumbing Connection	Includes items 1-3
5	F200222	Hose Clamp	No. 12
6	F200104P	Hose	Order 3 feet
7	F200164	Water Hose	Standard thread
	F200166	Water Hose	Metric thread
8	F421909	Hose Adapter	Standard thread; 3/4 x 3/4 inch
	F421908	Hose Adapter	Standard thread; 3/4 x 1/2 inch
	F8265701	Adapter	Metric thread
9	20290	Washer	
10	803615	Washer	
11	F8137502	Hose	
12	F420502	Street Elbow	
13	F420402	Tee	
14	F420503	Elbow	
15	F420108	Nipple	
16	F200401P	U-Bolt Clamp	
17	F381701P	Valve	
	F380995P	Water Valve Rebuild Kit	
18	F8110201	Nipple	
19	F420509	Elbow	
20	F420105	Nipple	
21	F420101	Nipple	
22	F380500	Gate Valve	
23	F421964	Hose Barb	
24	F200165	Water Hose	
25	F8100401	Fill Plumbing Assembly	Includes items 1, 12-15 and 17-23
26	C002657	Hose	
27	F8116801	Cold Spray Plumbing Assembly	Includes items 28-31
28	F8154501	Coupling	
29	F420103	Nipple	
30	F381703P	Valve	
31	F8110701	Hose Barb	
32	F8137504	Hose	
33	F380800P	Vacuum Breaker Valve	
34	F0170221-00	O-Ring	
35	F0380808-00	Vacuum Breaker Cap	
36	F8074701	Hot Spray Plumbing Assembly	Includes items 1, 12, 19, 20, 28-30, 34, 35 and 37-42
37	F430938	Screw	
38	F0380809-00	Containment Device	
39	F063754701P	Vacuum Breaker Valve	Includes items 33-35, 37 and 38
40	F8118401	Catch Basin	
41	F8100301	Reducer Bushing	
42	F8110601	Nipple	
43	F8233501	Warning Label	

# Fill Plumbing Assemblies - Models Starting 10/4/10

UWL, UWN and UWU Models



PHM3139P\_F8163601



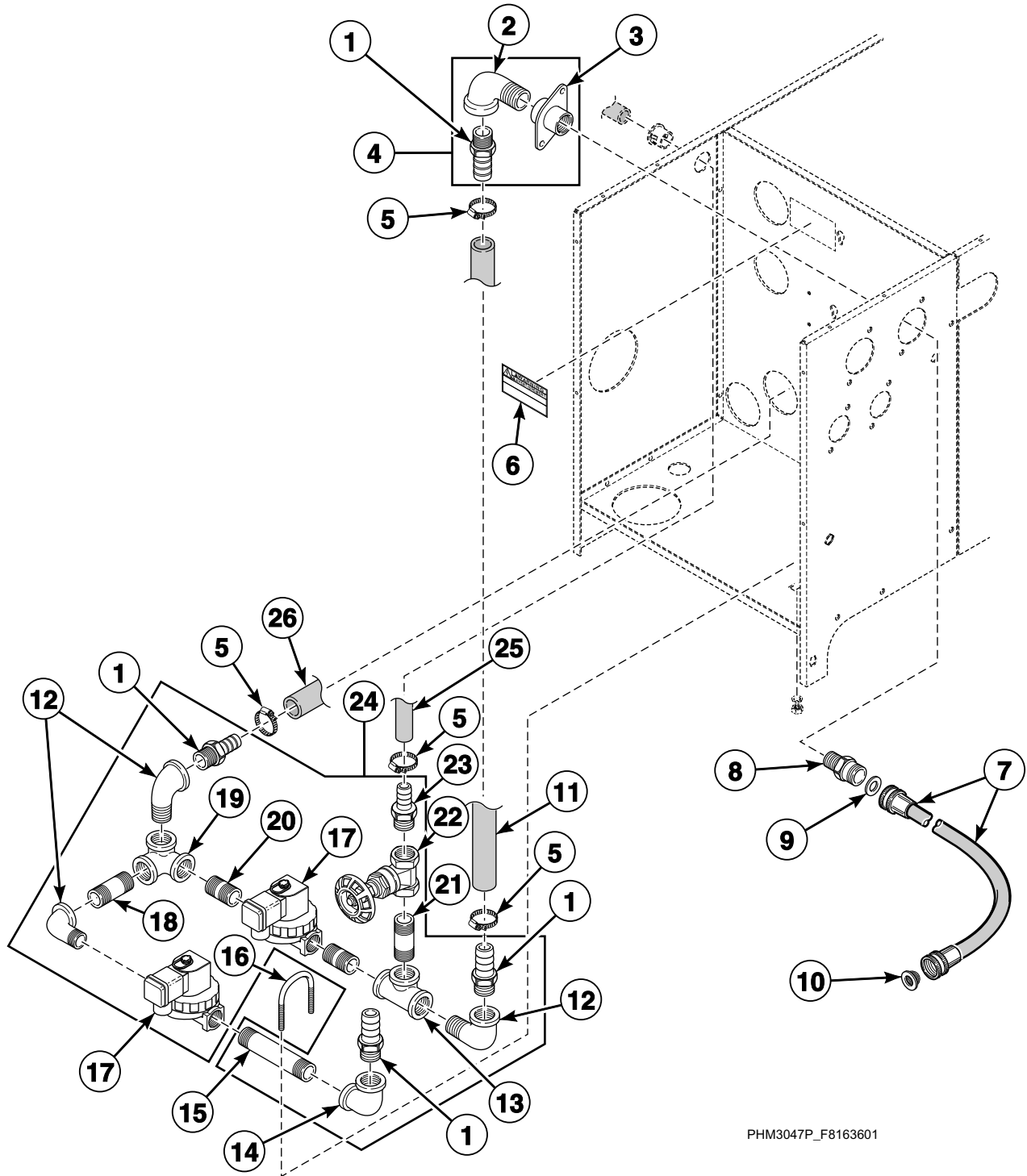
## Fill Plumbing Assemblies - Models Starting 10/4/10

REF	PART NO.	DESCRIPTION	COMMENTS
	F8347501	Fill/Supply Harness	
	F8347102	Fill Valve Harness	
1	F8137505	Hose	
2	36801	Hose Clamp	No. 8
3	F421951	Hose Barb	
4	F8322901P	Valve	3/4 inch; Brass
5	C000417	Nipple	3/4 inch; Brass
6	N/A	Tee	
7	F8362702	Coupling	3/4 inch
8	F8110701	Hose Barb	
9	F200222	Hose Clamp	No. 12
10	C002658	Hose	Order 2 feet
11	F200165	Water Hose	
12	F8351601	Fill Port	
13	70442301	Screw	
14	20253	Screw	
15	20290	Washer	
16	F421909	Hose Adapter	Standard thread; 3/4 x 3/4 inch
	F421908	Hose Adapter	Standard thread; 3/4 x 1/2 inch
	F8265701	Adapter	Metric thread
17	F200164	Water Hose	Standard thread
	F200166	Water Hose	Metric thread
18	803615	Washer	Filter

**N/A = Part no longer available**

# Fill Plumbing Assembly - Models Through 10/3/10

Models UWL080K1M, UWL100K1M, UWN080K1M, UWN080K1V, UWN100K1M,  
UWN100K1V, UWU080K1M and UWU100K1M



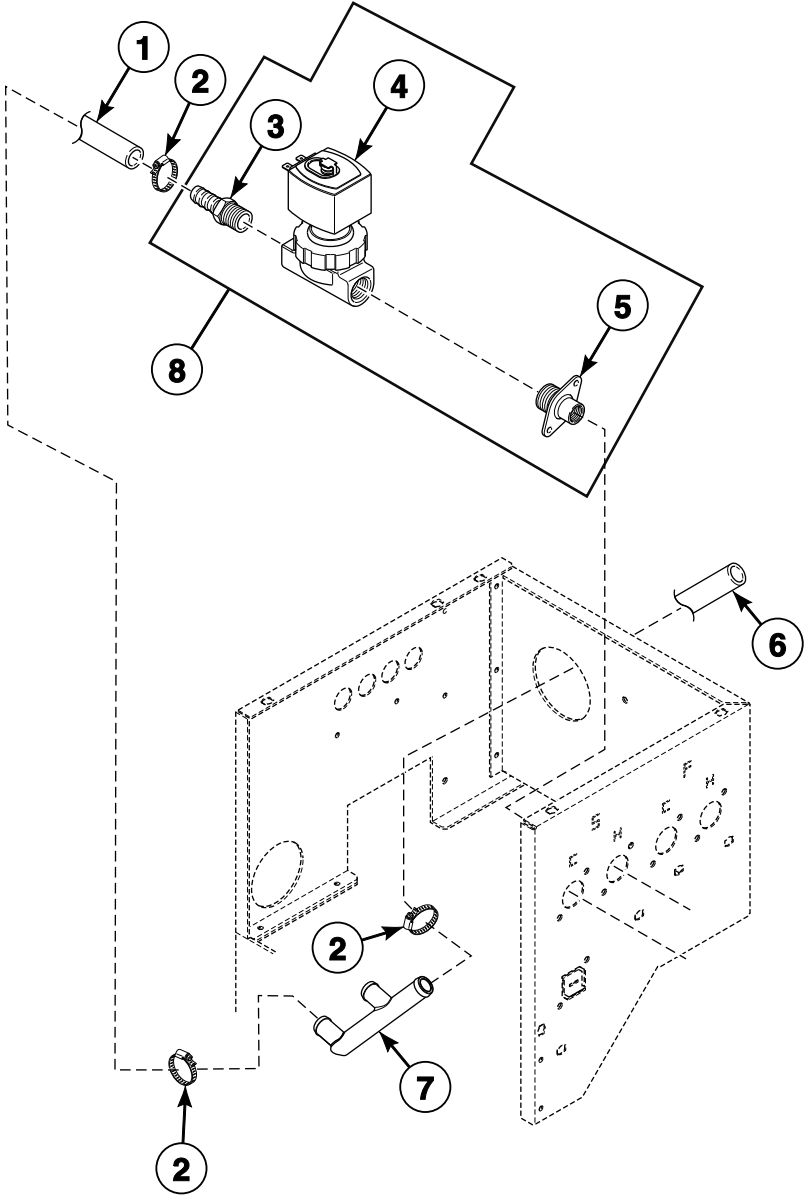
PHM3047P\_F8163601

## Fill Plumbing Assembly - Models Through 10/3/10

REF	PART NO.	DESCRIPTION	COMMENTS
	F8073601P	Supply/Fill Module Harness	
	F8158901P	Fill/Supply Harness	
	F8073702P	Fill Valve Harness	
1	F421951	Hose Barb	
2	F420502	Street Elbow	
3	F8154502	Coupling	
4	F8117101	Fill Plumbing Connection	Includes items 1-3
5	F200222	Hose Clamp	No. 12
6	F8233501	Warning Label	
7	F200164	Water Hose	Standard thread
	F200166	Water Hose	Metric thread
8	F421909	Hose Adapter	Standard thread; 3/4 x 3/4 inch
	F421908	Hose Adapter	Standard thread; 3/4 x 1/2 inch
	F8265701	Adapter	Metric thread
9	20290	Washer	
10	803615	Washer	
11	F8137502	Hose	
12	F420502	Street Elbow	
13	F420402	Tee	
14	F420503	Elbow	
15	F420108	Nipple	
16	F200401P	U-Bolt Clamp	
17	F381701P	Valve	
	F380995P	Water Valve Rebuild Kit	
18	F8110201	Nipple	
19	F420509	Elbow	
20	F420105	Nipple	
21	F420101	Nipple	
22	F380500	Gate Valve	
23	F421964	Hose Barb	
24	F8100401	Fill Plumbing Assembly	Includes items 1, 12-15 and 17-23
25	F200165	Water Hose	
26	C002657	Hose	

# Spray Plumbing Assembly - Models Starting 10/4/10

Models with 3 in the 8th Position

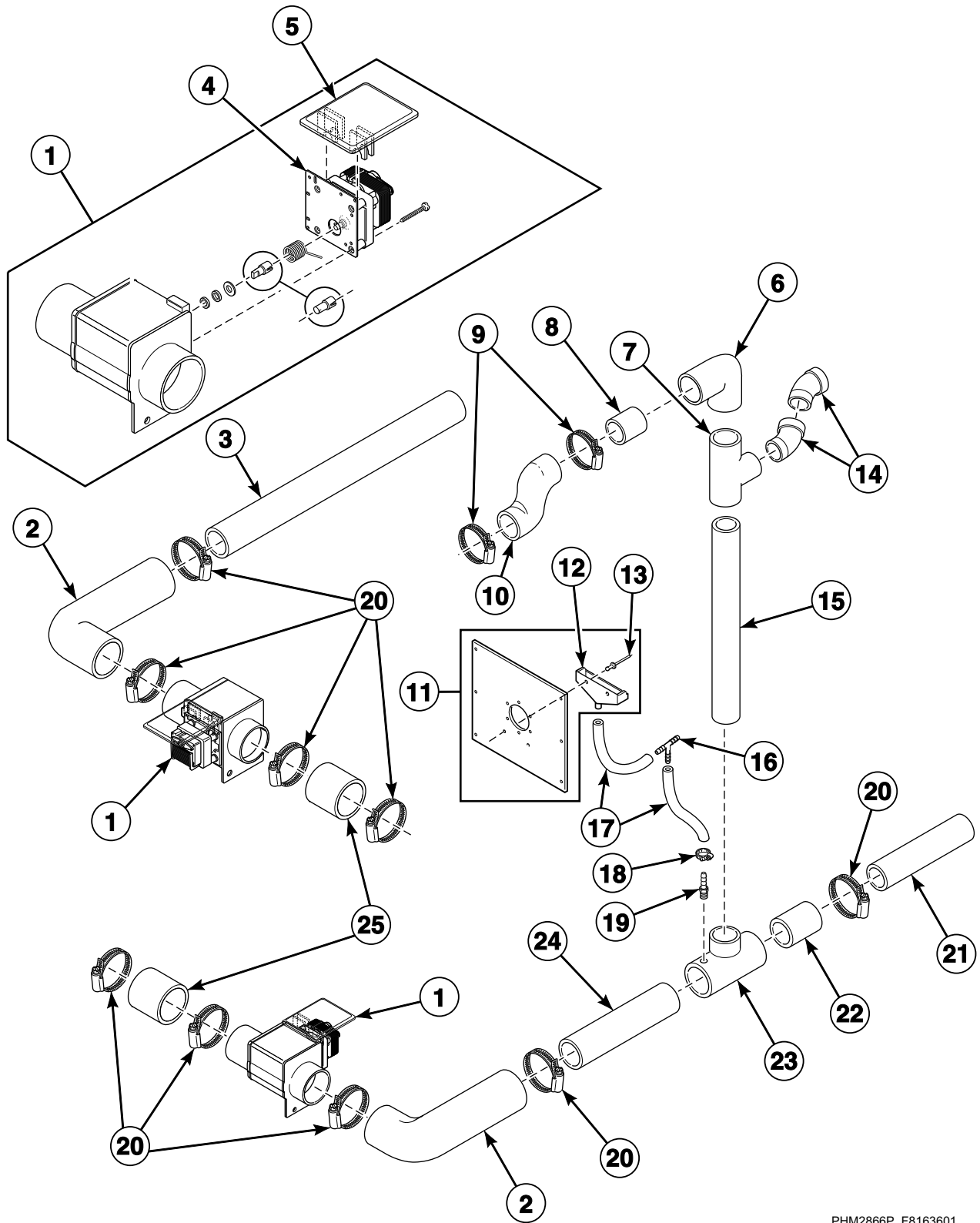


PHM3137P\_F8163601

## Spray Plumbing Assembly - Models Starting 10/4/10

REF	PART NO.	DESCRIPTION	COMMENTS
	F8347501	Fill/Supply Harness	
	F8347102	Fill Valve Harness	
1	F8232007	Hose	
2	36801	Hose Clamp	No. 8
3	F421930	Hose Barb	
4	F8322801P	Valve	1/2 inch; Brass
5	F8362701	Coupling	3/4 inch
6	F8137503	Hose	
7	F8333201	Manifold	
8	F8288301	Fill Plumbing Assembly	Includes items 3-5

# Drain - Models Through 10/3/10



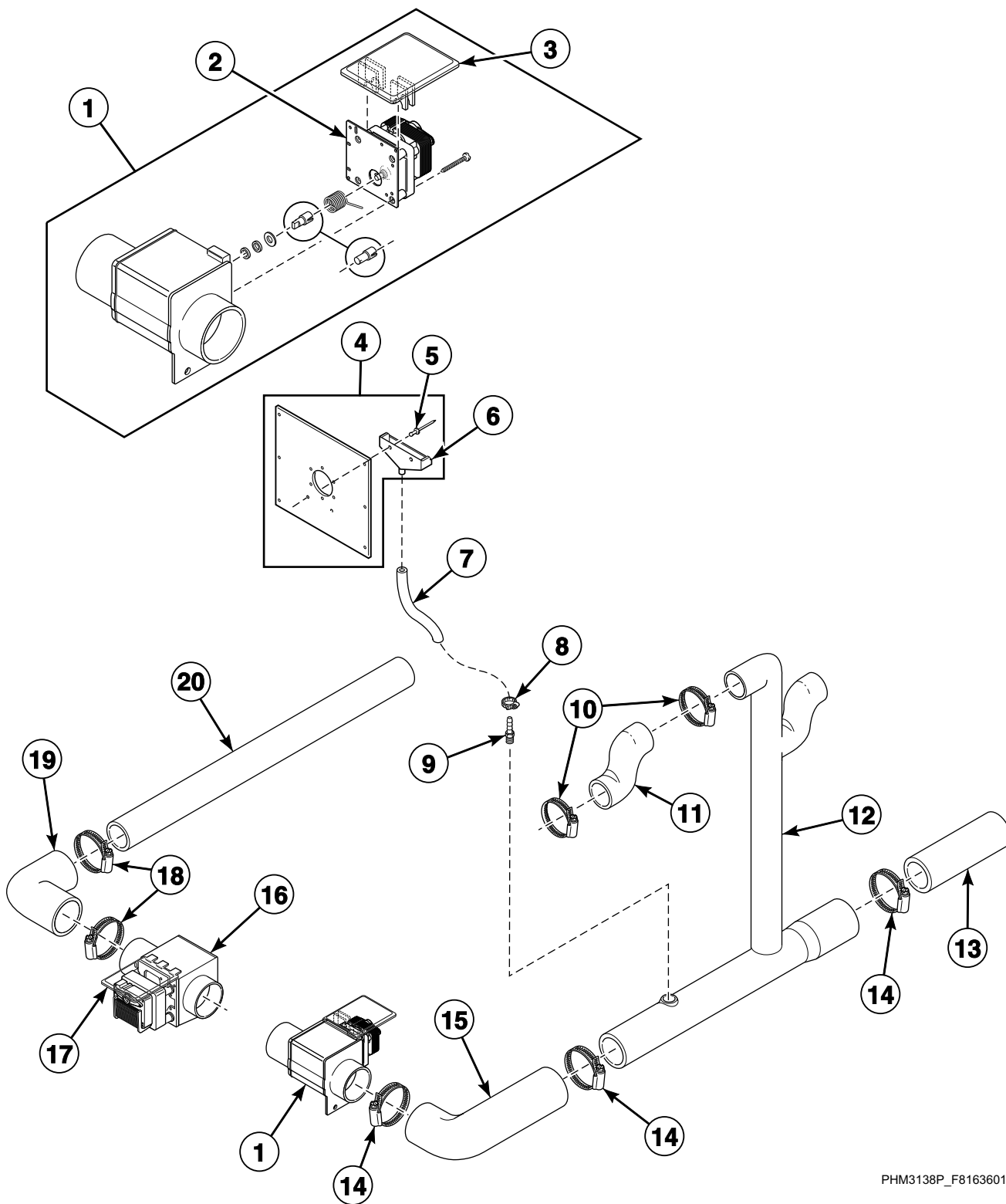
PHM2866P\_F8163601

## Drain - Models Through 10/3/10

REF	PART NO.	DESCRIPTION	COMMENTS
	F8028301P	Drain Valve Harness	Standard
	F8257002	Drain Valve Harness	Steam heat
	F8257101	Dual Drain Harness	
1	F200166402	Drain Valve Kit	220 Volt
2	F150437	Drain Hose	Rear
3	F0602365-06	Pipe	Model UW80TV
	F0602365-27	Pipe	Model UW100TV
4	F380933P	Drain Valve Motor	220 Volt; Keyed shaft
5	F200133600	Drain Valve Cover	
6	F422901	Elbow	
7	F422803	Tee	
8	F0602365-16	Pipe	
9	F200213	Hose Clamp	No. 40
10	F8386201	Overflow Hose	
11	F8084201	Shell Reinforcement Plate Assembly	Includes items 12 and 13
12	F150389	Scupper	
13	F431215	Pop Rivet	
14	F8119201	Elbow	
15	F0602365-20	Pipe	
16	F8137401	Tee	
17	F200107P	Water Hose	
18	36801	Hose Clamp	No. 6
19	F421929	Hose Barb	
20	F200201	Hose Clamp	No. 56
21	F200165100	Drain Hose	
22	F0602365-18	Pipe	
23	F422802	Tee	
24	F0602365-12	Pipe	Model UW80TV
	F0602365-22	Pipe	Model UW100TV
25	F200275800	Hose	Front

# Drain - Models Starting 10/4/10

UWL, UWN and UWU Models



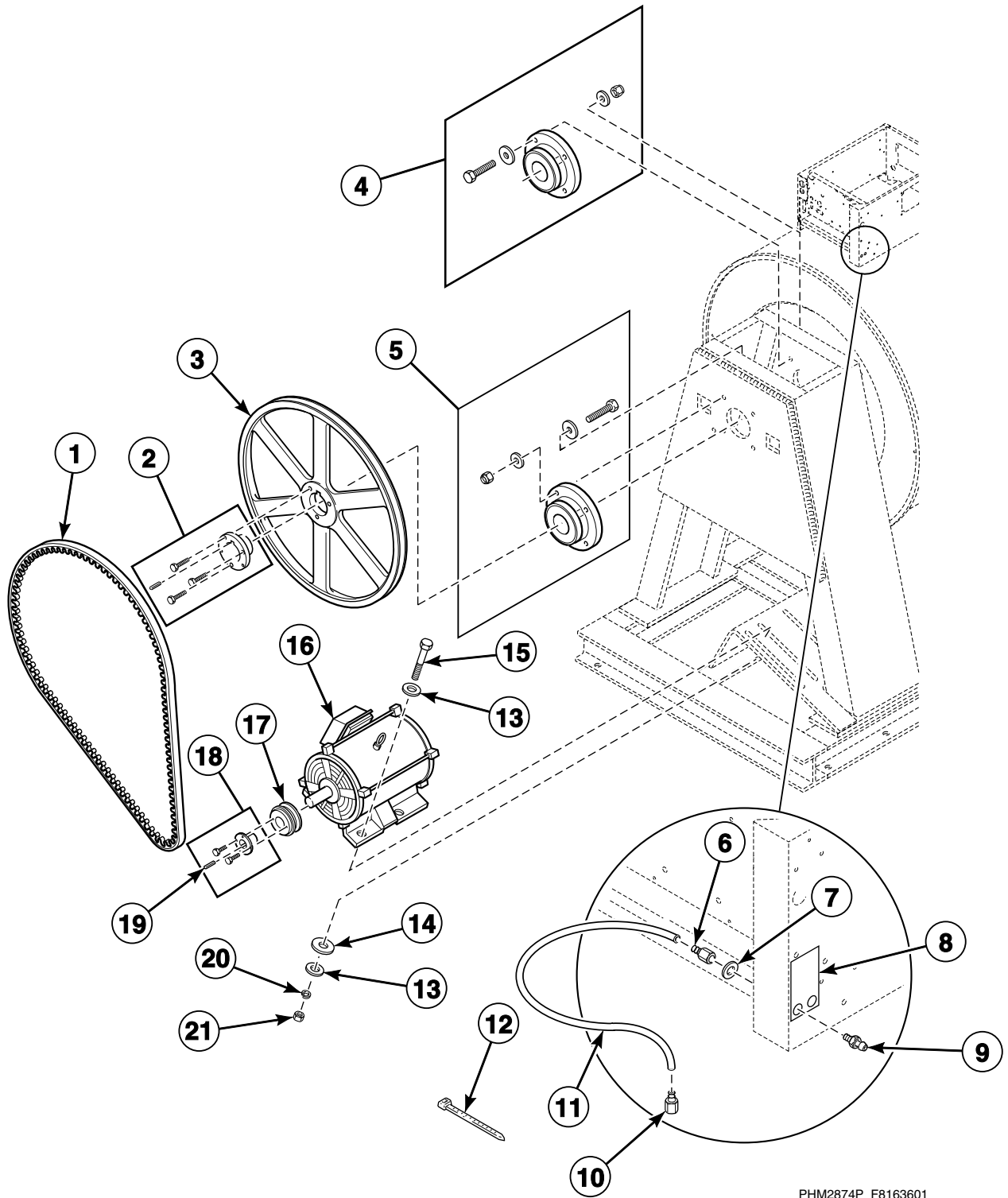
PHM3138P\_F8163601



## Drain - Models Starting 10/4/10

REF	PART NO.	DESCRIPTION	COMMENTS
1	F8028301P	Drain Valve Harness	R-voltage
	F8257002	Drain Valve Harness	Q-voltage
	F8257101	Dual Drain Harness	
2	F380933P	Drain Valve Motor	220 Volt; Keyed shaft
3	F200133600	Drain Valve Cover	
4	F8084201	Shell Reinforcement Plate Assembly	Includes items 10 and 11
5	F431215	Pop Rivet	
6	F150389	Scupper	
7	F200107P	Water Hose	
8	36801	Hose Clamp	No. 6
9	F421929	Hose Barb	
10	F200213	Hose Clamp	No. 40
11	F8386201	Overflow Hose	
12	F8351301	Molded Drain	
13	F200165100	Drain Hose	
14	F200201	Hose Clamp	No. 56
15	F150438	Drain Hose	
16	F200166402	Drain Valve Kit	Dual drain
17	F200133600	Drain Valve Cover	Dual drain
18	F200201	Hose Clamp	No. 56; Dual drain
19	F150438	Drain Hose	Dual drain
20	F0602365-27	Pipe	Dual drain

# Motor, Pulley and Bearings



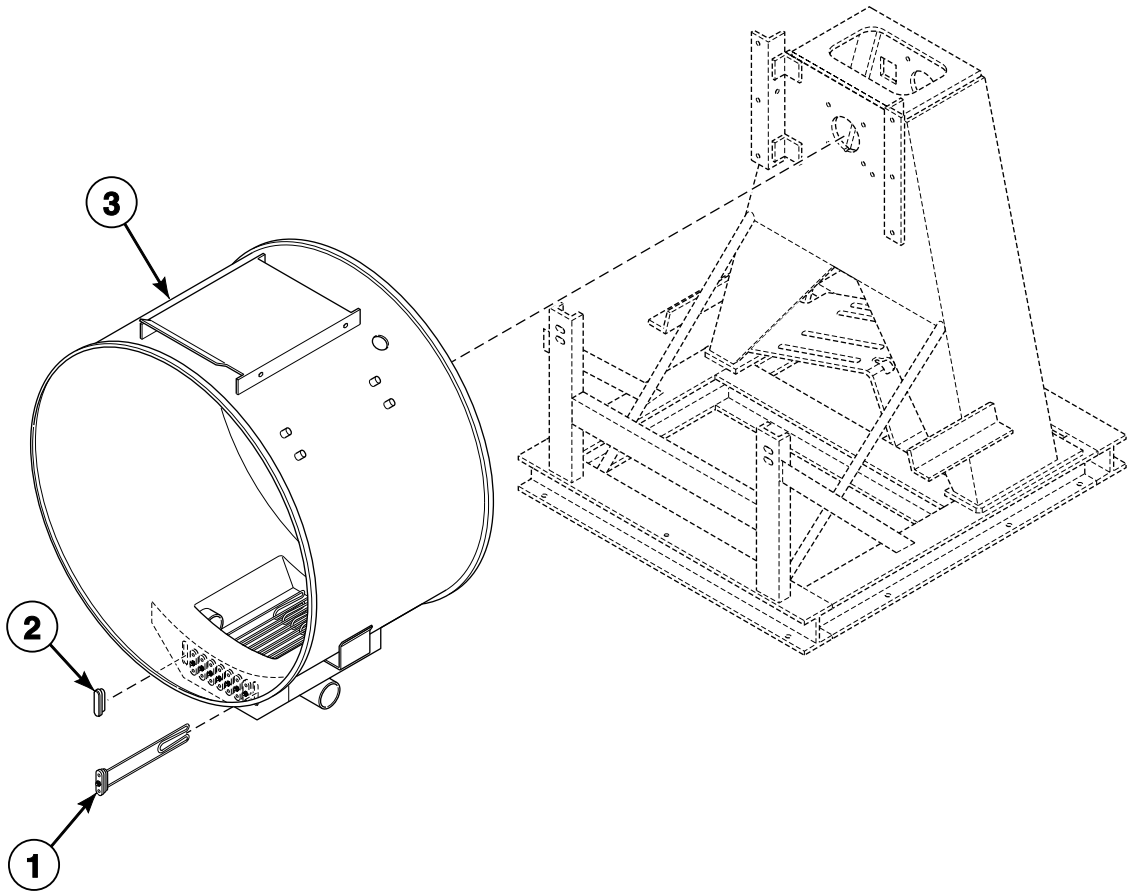
PHM2874P\_F8163601

## Motor, Pulley and Bearings

REF	PART NO.	DESCRIPTION	COMMENTS
1	F8061401	Belt	BX110; 2 required
2	F280294P	Basket Pulley Bushing	Includes screws and key; 2-7/16 inch
3	F280412	Pulley	2B305F
4	F798831-00	Front Bearing Kit	Includes seal and hardware
5	F745006	Rear Bearing Kit	
6	F422114	Air Coupling	
7	F431134	Washer	
8	F231563	Grease Instruction Decal	Lubrication
9	F190701	Grease Fitting	
	F745401	Manual Bearing Greasing Retrofit Kit	Includes items 10 and 11, F630433 Grease Manifold Bracket, F230745 Bearing Lubrication Instruction Decal, F320326 Grease Manifold, F430211 Nut, F430322 Washer, F430923 Screw, F430925 Screw and F431024 Nut
10	J1408004	Connector	
11	C000628P	Tubing	
12	F140605	Cable Tie	6 inch
13	M400081	Washer	
14	F430300	Washer	
15	F430993	Screw	
16	F8356403	Motor Retrofit Kit	AC drive parameters must be compatible with the motor and motor pulley. Please request the AC drive parameter illustration for parameter verification when ordering a motor; Used with machines manufactured with F8054201P Motor; Used with F8061301P Sheave Pulley
	F8334701	Motor	AC drive parameters must be compatible with the motor and motor pulley. Please request the AC drive parameter illustration for parameter verification when ordering a motor; Used with F280181 Pulley
	F8049202	Motor Harness	
17	F280181	Pulley	3.4 inch OD; Used with F8334701 Motor
	F8061301P	Sheave Pulley	2BK50H; 5 inch OD; Used with F8054201 Motor
18	F280242	Motor Bushing	Includes item 19 and screws; H - 1-3/8
19	N/A	Key	
20	M400014	Washer	
21	F430205	Nut	

N/A = Part no longer available

# Electric Heat Option

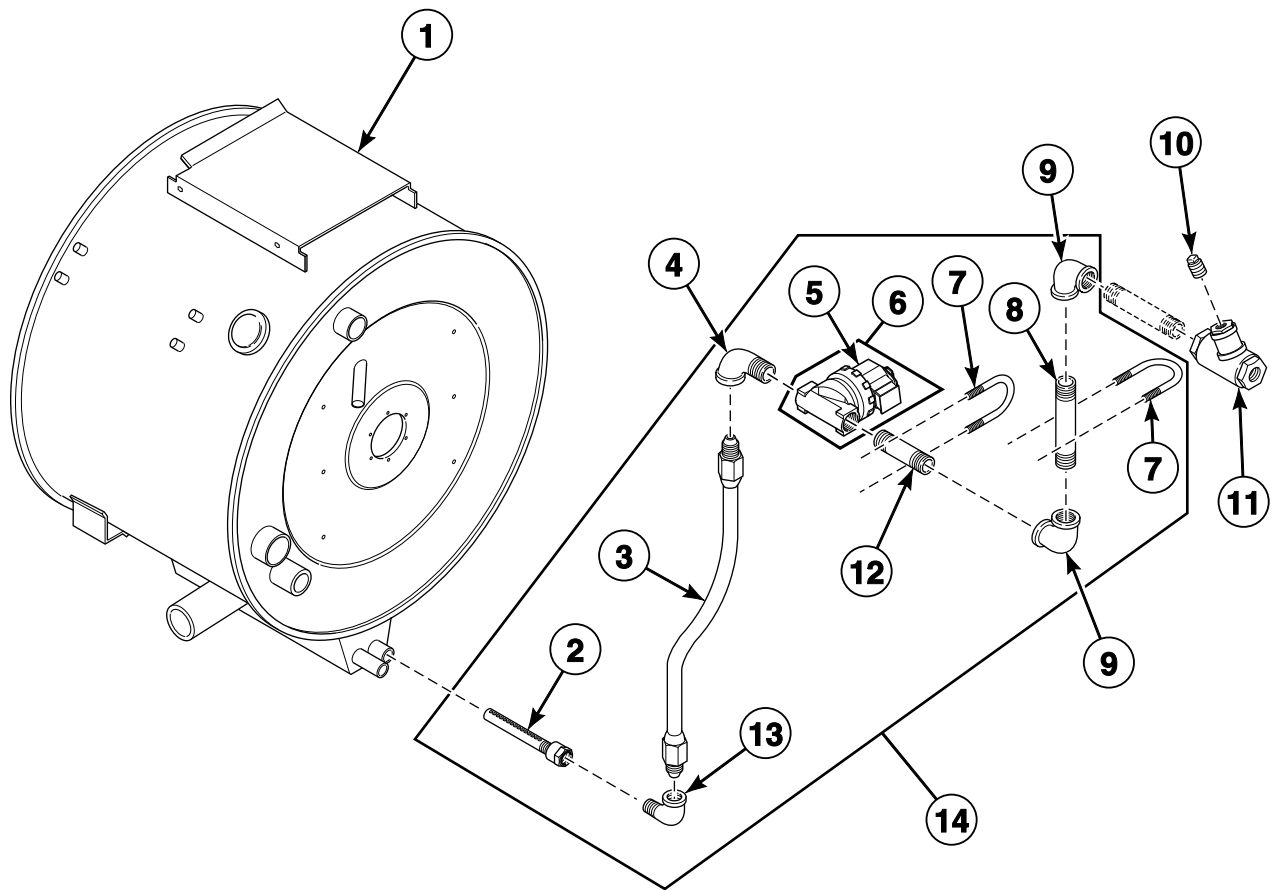


PHM2895P\_F8163601

## Electric Heat Option

REF	PART NO.	DESCRIPTION	COMMENTS
	F8054704P	Electric Heat Harness	R-voltage
	F8054705	Electric Heat Harness	Q-voltage
<b>1</b>	F360203P	Heating Element	9 required for Q-voltage; 6 required for R-voltage
	F8056701	Electric Heat Harness	R-voltage; 6-Element to Ground
	F8056702P	Electric Heat Harness	Q-voltage; 9-Element to Ground
<b>2</b>	F360202	Heating Element Plug	3 required for R-voltage
<b>3</b>	F8082502	Shell Weldment	Model UW80TV
	F8273402	Shell Weldment	Models UWL080K1M, UWL080T3V, UWN080K1M, UWN080K1V, UWN080T3V, UWU080K1M and UWU080T3V through 10/3/10
	F8378002	Shell Weldment	Models UWL080K1M, UWL080T3V, UWN080K1M, UWN080K1V, UWN080T3V, UWU080K1M and UWU080T3V starting 10/4/10
	F8082802	Shell Weldment	Model UW100TV
	F8273502	Shell Weldment	Models UWL100K1M, UWL100T3V, UWN100K1M, UWN100K1V, UWN100T3V, UWU100K1M and UWU100T3V through 10/3/10
	F8378102	Shell Weldment	Models UWL100K1M, UWL100T3V, UWN100K1M, UWN100K1V, UWN100T3V, UWU100K1M and UWU100T3V starting 10/4/10

# Steam Heat Option - Models Through 10/3/10

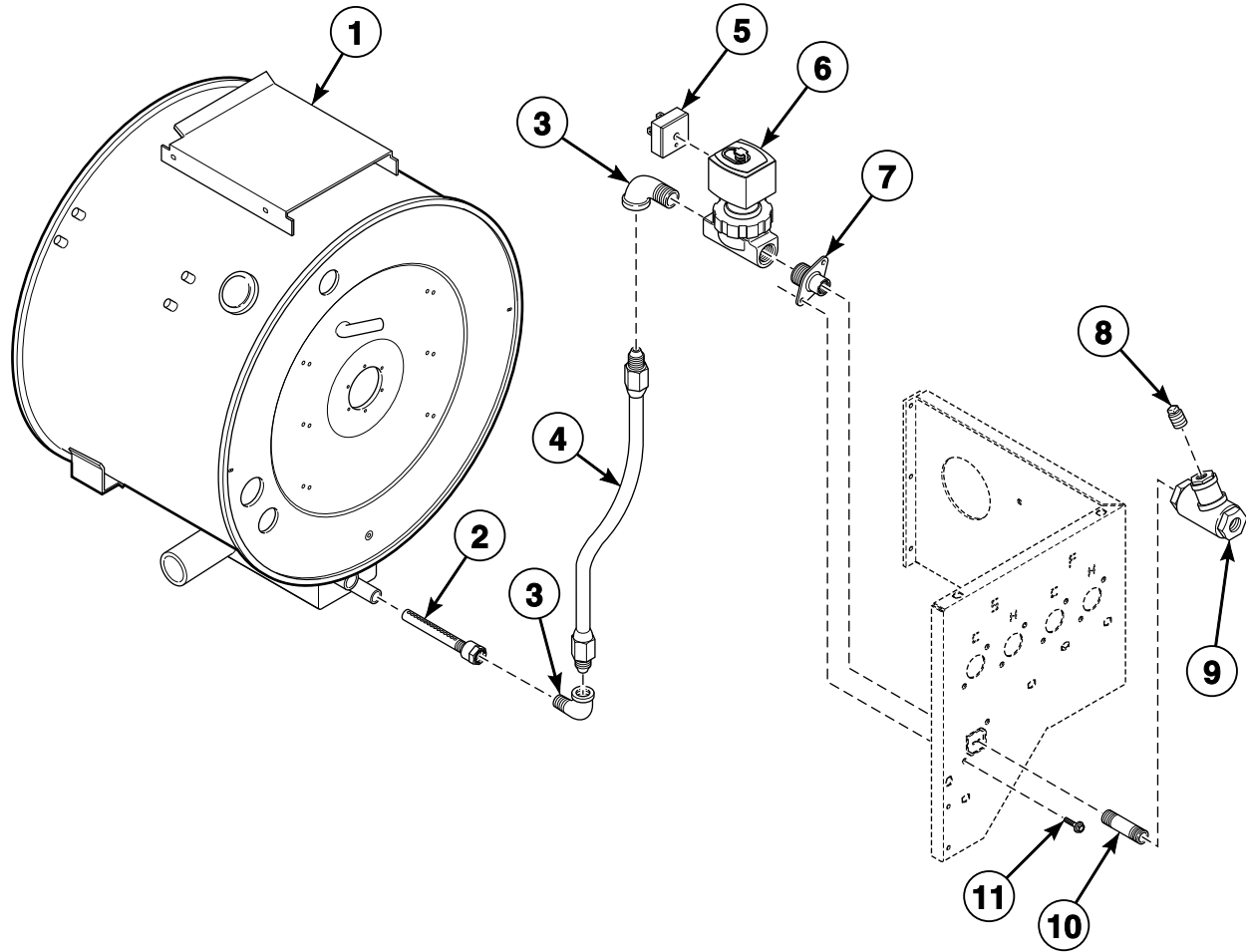


PHM3053P\_F8163601

## Steam Heat Option - Models Through 10/3/10

REF	PART NO.	DESCRIPTION	COMMENTS
1	F8082501	Shell Weldment	Model UW80TV
	F8273401	Shell Weldment	Models UWL080K1M, UWL080T3V, UWN080K1M, UWN080K1V, UWN080T3V, UWU080K1M and UWU080T3V
	F947P3	Steam Heat Kit	Includes items 2-14 and F8028302 Drain Valve Harness
	F8082801	Shell Weldment	Model UW100TV
	F8273501	Shell Weldment	Models UWL100K1M, UWL100T3V, UWN100K1M, UWN100K1V, UWN100T3V, UWU100K1M and UWU100T3V
2	F603131	Steam Injector Tube Assembly	
3	F200197	Steam Hose	
4	H86070034	Street Elbow	
5	F380987P	DIN Coil	220 Volt
6	F380787P	Steam Valve	1/2 inch; 220 Volt; F380984 Steam Valve Repair Kit
7	F200401P	U-Bolt Clamp	
8	70263801	Pipe Nipple	
9	70079601	Elbow	
10	F420409	Plug	
11	F270307	Steam Filter	
12	901403	Pipe Nipple	
13	F421703	Street Elbow	
14	F8104501	Steam Assembly	Includes items 2-9, 12 and 13

# Steam Heat Option - Models Starting 10/4/10



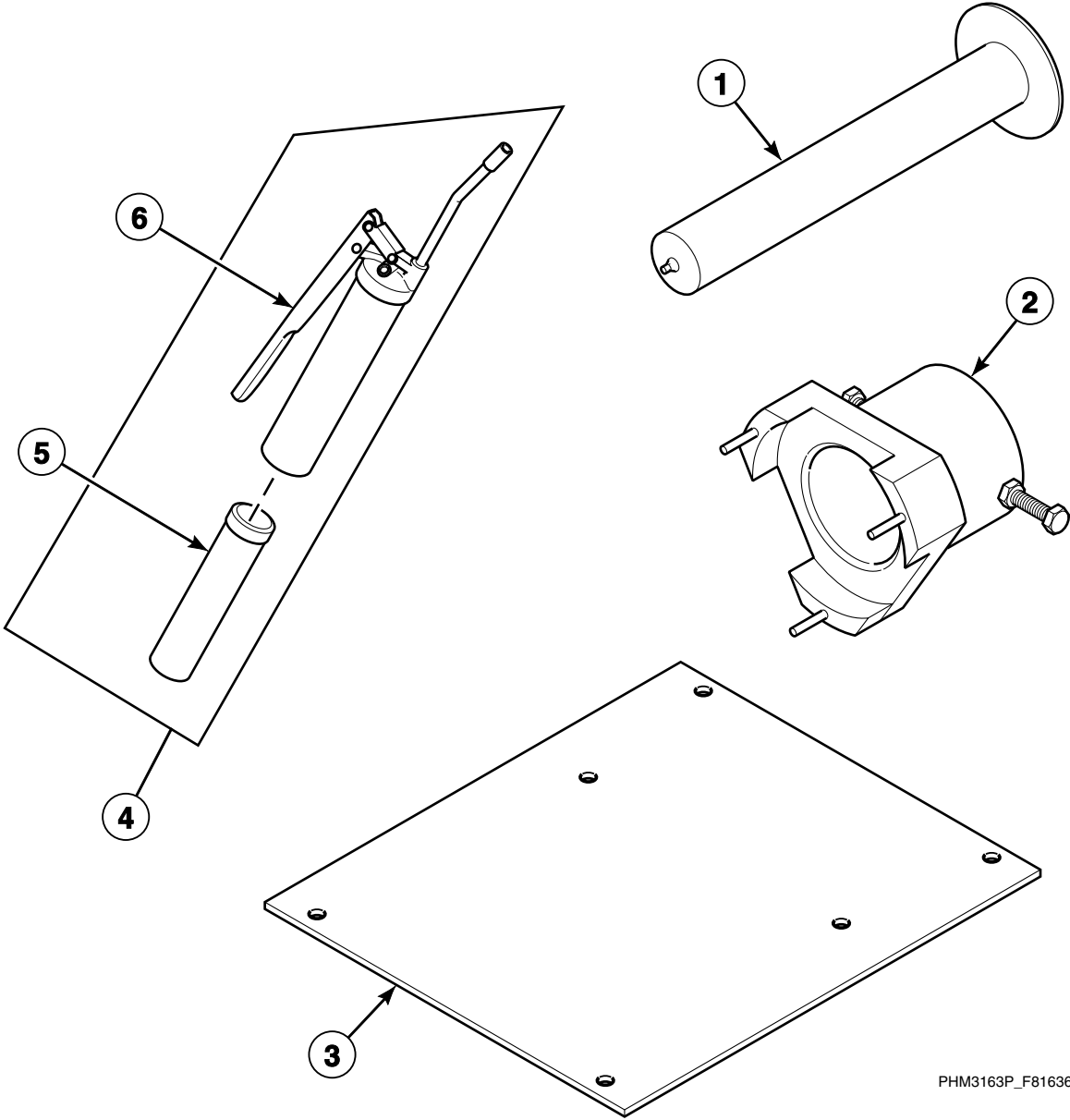
PHM2132K\_F8163601



## Steam Heat Option - Models Starting 10/4/10

REF	PART NO.	DESCRIPTION	COMMENTS
	F8394501	Steam Assembly	Includes items 2-11
	F943P3	Steam Heat Kit	Includes items 2-11 and F8257002 Drain Valve Harness
1	F8378001	Shell Weldment	Models UWL080K1M, UWL080T3V, UWN080K1M, UWN080K1V, UWN080T3V, UWU080K1M and UWU080T3V
	F8378101	Shell Weldment	Models UWL100K1M, UWL100T3V, UWN100K1M, UWN100K1V, UWN100T3V, UWU100K1M and UWU100T3V
2	F603131	Steam Injector Tube Assembly	
3	F421703	Street Elbow	
4	F200197	Steam Hose	
5	F8382301	Adapter	
6	F8322801P	Valve	1/2 inch; 220 Volt
7	F8362701	Coupling	
8	F420409	Plug	
9	F270307	Steam Filter	
10	901403	Pipe Nipple	
11	70321501	Screw	

# Special Tools



PHM3163P\_F8163601

## Special Tools

REF	PART NO.	DESCRIPTION	COMMENTS
	F730055-1	Mounting Bolt Kit	
	F923P3	Wet-Clean Kit	
	F922P3	Reuse Kit	
	F8167901	USB IR Device Assembly	
	F8133301	UniLinc PC and PDA Software CD	
	F8133701	UniLinc PC and PDA Software CD	Programmer's version
	F798772	Rebar Frame Kit	
<b>1</b>	F633430	Shaft Assembly	
<b>2</b>	F200284800	Seal Alignment Fixture Assembly	
	F0100314-00	Shaft Seal Alignment Fixture	
<b>3</b>	F601648	Rebar Frame Template	
<b>4</b>	F798700	Grease Gun Kit	Includes items 4 and 5
<b>5</b>	F210206P	Bearing Grease	
<b>6</b>	F210207P	Grease Gun	



# Parts Index

## A

AC Drive	
F8169666 .....	15
F8169667 .....	15
F8169668 .....	15
F8169669 .....	15
Adapter	
F8265701 .....	45, 47, 49
F8382301 .....	63
Air Coupling	
F422114 .....	57
Air Trap Hose	
F200142 .....	11
Auxiliary Control Assembly	
F8189401 .....	11

## B

Back Water Panel	
F8374901 .....	25
Balance Switch Bracket	
F8124301 .....	19
Basket Assembly	
F630764 .....	35
F632403 .....	35
Basket Pulley Bushing	
F280294P .....	57
Bearing Grease	
F210206P .....	65
Belt	
F8061401 .....	57
Belt Access Guard Panel	
F8117501 .....	21
Belt Edging	
70360901 .....	21
Bushing	
70346501 .....	11

## C

Cable Tie	
F140605 .....	57
Cap Plug	
F180486 .....	13
Catch Basin	
F8118401 .....	45
CFG Harness	
F8028110 .....	11
F8028111 .....	11
Chemical Supply Cup	
F150385 .....	39
F150386 .....	39
Chemical Supply Hose	
F0150470-00 .....	39
F150471 .....	39
F8265601 .....	39
F8265801 .....	39

Circuit Breaker	
F8303001P .....	17
70256901P .....	17
Clean Filter Daily Decal	
F200061000 .....	9, 17
Clip	
M400984 .....	13
Clockwise Spin Rotation Decal	
F230652 .....	29
Cold Spray Plumbing Assembly	
F8116801 .....	45
Communication Board	
210095P .....	9
Connector	
F422500 .....	11
J1408004 .....	57
Contact Block Switch	
F200233401 .....	9
Contact Switch	
F8069501 .....	9
Contacto	
F330188P .....	17
Containment Device	
F0380809-00 .....	45
Control Assembly Kit	
F980P3 .....	11
Control Board Bracket	
F8036101 .....	9
Control Box Contactor Panel	
F8055001 .....	9
Control Box Rear Panel	
F8170501 .....	9
Control Box Top Panel	
F8170601 .....	9
Control Harness Tray	
F8073003 .....	9
F8073004 .....	9
F8290302 .....	9
F8290304 .....	9
Control Kit	
F982P3 .....	9
F983P3 .....	9
Control Module Decal	
F8427001 .....	9
Conversion Label	
F8099701 .....	23, 25
F8099801 .....	23, 25
Coupling	
F8154501 .....	45
F8154502 .....	45, 49
F8362701 .....	51, 63
F8362702 .....	47
Cover Decal	
F200318200 .....	21

## D

Diaphragm and Guide Kit	
G582P3 .....	41, 43

N/A items do not appear in index.

DIN Coil			
F380987P .....	61	F200165100 .....	53, 55
DIN Rail		Drain Valve Cover	
F8134101 .....	17	F200133600 .....	53, 55
Dispenser Assembly		Drain Valve Harness	
F0150512-00P .....	39	F8028301P .....	53, 55
Dispenser Lid		F8257002 .....	53, 55
F0150514-00 .....	39	Drain Valve Kit	
Dispenser Valve Harness		F200166402 .....	53, 55
F8091601P .....	41	Drain Valve Motor	
F8347301 .....	43	F380933P .....	53, 55
Do Not Tamper Label		Drip Rail	
F8345901 .....	15	F150364 .....	37
Door Assembly		Drive Box Bottom	
F8350701 .....	31	F8105201 .....	23
Door Bumper Bushing		Drive Box Bottom Panel	
F430416 .....	29, 31	F8284001 .....	23
Door Bumper Moulding		Drive Box Partition	
F150366 .....	29, 31	F8375901 .....	25
Door Butt Shim		Drive Box Rear Panel	
F0610695-00 .....	29, 31	F8283802 .....	23
Door Gasket		F8376001 .....	25
F017014301 .....	31	Drive Bracket	
F017014501 .....	29	F8322402 .....	15
F170143 .....	31	Drive Control Harness	
F170145 .....	29	F8030101P .....	11
Door Glass Gasket		F8030201P .....	15
F170117 .....	29, 31	Drive Fan Harness	
Door Glass Kit		F8113901 .....	17
F290200P .....	29	Drive Mounting Box	
Door Glass Retainer		F8375601 .....	25
F601239 .....	29, 31	Drive Mounting Bracket	
Door Handle Casting		F8386902 .....	15
F150203 .....	33	Drive Power Harness	
Door Hinge Pin		F8027802 .....	15
F601815 .....	29, 31	Dual Drain Harness	
Door Hinge Strap Kit		F8257101 .....	53, 55
F200030600P .....	29, 31		
Door Kit			
F730095 .....	29, 31	<b>E</b>	
F730307 .....	29, 31	Earth Terminal Sticker	
F730540 .....	29	M412096 .....	17
Door Latch Bracket Shim		Elbow	
F602058 .....	33	F420503 .....	45, 49
Door Lock Assembly		F420509 .....	45, 49
F8127703P .....	33	F422319 .....	27, 31
Door Lock Cover		F422900 .....	37
F8132201 .....	33	F422901 .....	53
Door Lock Dielectric Shield		F8119201 .....	53
F8135301 .....	33	70079601 .....	61
Door Lock Harness		Electric Heat Coils Harness	
F8029101 .....	33	F8054901 .....	15
Door Lock Solenoid		F8054903 .....	15
F300129P .....	33	Electric Heat Harness	
Door Lock Solenoid Shim		F8054601 .....	15
F8133601 .....	33	F8054602 .....	15
Door Spray Nozzle Assembly		F8054603 .....	15
F8356301 .....	31	F8054704P .....	59
Door Switch		F8054705 .....	59
F8165201 .....	19, 33	F8056701 .....	59
Drain Hose		F8056702P .....	59
F0603139-03 .....	37	Electric Shock Danger Label	
F150437 .....	53	F8115501 .....	17
F150438 .....	55		

N/A items do not appear in index.

Electrical Access Panel F8377601 .....	25
Electrical Shock Label 502511 .....	9, 21, 23
Emergency Stop Harness F8060501 .....	9
Emergency Stop Pushbutton F200233500 .....	9
EMI Filter F8054001 .....	15
F8054002 .....	15
EMI Filter Power Harness F8129001 .....	15
Expansion Clip 70030501 .....	9, 11, 21, 23, 25
Extension Arm Assembly F8062001 .....	33
Extension Arm Tab F601639 .....	33
External Supply Box F8055301 .....	9
External Supply Box Cover F635365 .....	9
External Supply Connection Decal F8059801 .....	9
F8150201 .....	9
External Supply Harness F8029501P .....	13
F8191201P .....	13
External Supply Label F8161701 .....	9
Extrusion Insert F150397 .....	21

## F

Face Seal F8161901 .....	37
F8162001 .....	37
Female Pin Terminal 00117 .....	13
Fill Plumbing Assembly F8100401 .....	45, 49
F8288301 .....	51
Fill Plumbing Connection F8117101 .....	45, 49
Fill Port F8351601 .....	47
Fill Valve Harness F8073702P .....	49
F8347102 .....	47, 51
Fill/Spray Valve Harness F8073701P .....	45
Fill/Supply Harness F8158901P .....	49
F8347501 .....	47, 51
Filter F0270321-00P .....	17
F200318900P .....	11
Filter Retainer Guard F220900 .....	11, 17
Frame Weldment F8088701 .....	37

F8090501 .....	37
Front Bearing Kit F798831-00 .....	57
Front Box Cover F8105601 .....	23
Front Bulkhead Panel F8283601 .....	23
F8376101 .....	25
Front Panel F8096201P .....	21
Fuse 802492 .....	11
802493 .....	11

## G

Gasket F170402P .....	23
Gate Valve F380500 .....	45, 49
Glass F290201P .....	29, 31
Grease Fitting F190701 .....	57
Grease Gun F210207P .....	65
Grease Gun Kit F798700 .....	65
Grease Instruction Decal F231563 .....	57
Ground Decal F230630 .....	15
F230739 .....	15
Ground Lug Connector M411283 .....	17

## H

Handle Spacer F609822 .....	33
Harness F8030001 .....	17
F8030002P .....	17
Harness Tray Cover F8073103 .....	9
F8073104 .....	9
F8290802 .....	9
F8290804 .....	9
Heating Element F360203P .....	59
Heating Element Plug F360202 .....	59
High Hole Glass F8350501 .....	31
Hole Plug F8223801 .....	17
Hose C002657 .....	45, 49
C002658 .....	47
F200104P .....	45
F200275800 .....	53
F8137502 .....	45, 49

N/A items do not appear in index.

F8137503.....	51
F8137504.....	45
F8137505.....	47
F8232007.....	51
Hose Adapter	
F421908.....	45, 47, 49
F421909.....	45, 47, 49
Hose Barb	
F421929.....	37, 53, 55
F421930.....	51
F421951.....	45, 47, 49
F421964.....	45, 49
F8110701.....	45, 47
Hose Clamp	
F200201.....	53, 55
F200213.....	37, 39, 53, 55
F200222.....	11, 45, 47, 49
36801.....	37, 41, 43, 47, 51, 53, 55
Hose Connector	
F200302.....	41
Hot Spray Plumbing Assembly	
F8074701.....	45
Hot Surface Warning Decal	
F200085000.....	29, 31
Hot Surface Warning Plate	
F8211901.....	23
Hot Water and Chemical Caution Decal	
F200085300.....	39

## I

Injection Nozzle	
F8322001.....	39
Injection Nozzle Kit	
F730168.....	39
Insulator	
M413862.....	15
Interlock Switch Harness	
F8030501P.....	11
F8158801P.....	11
Interlock Switch Spacer	
F601055.....	33

## J

Jumper Configuration Assembly	
M413507.....	11
Jumper Harness Assembly	
M413506.....	11

## L

Left Side Cover	
F8105102.....	23
F8283902.....	23
F8365002.....	25
Left Side Panel	
F8105702P.....	21
F8106002P.....	21
Lock Bracket	
F8127401.....	33

Logic Supply Power Harness	
F8060001.....	15
Lower Belt Guard Assembly	
F8244401P.....	21
F8244402.....	21
Lower Door Latch Bracket Casting	
F150202.....	33
Lower Door Latch Casting	
F150204.....	33

## M

Magnet	
F8390801.....	33
Main Power Harness	
F8060301.....	15
Male Tab Terminal	
00177.....	11, 17
Manifold	
F8333201.....	51
Manual Bearing Greasing Retrofit Kit	
F745401.....	57
Molded Drain	
F8351301.....	55
Motor	
F8334701.....	57
Motor Bushing	
F280242.....	57
Motor Harness	
F8049202.....	57
Motor Retrofit Kit	
F8356403.....	57
Mount on Concrete Warning Label	
F8246401.....	21
Mounting Bolt Kit	
F730055-1.....	65
Moving Parts Plug Warning Decal	
F200085500.....	37
Muffin Fan	
F110110.....	11, 17

## N

Network Board Assembly	
201341.....	11
Network Board Bracket	
F8079401.....	11
Network Controller Kit	
NK220.....	9
Network Retrofit Kit	
NK205.....	9
Network Wire Harness Assembly	
44088501P.....	11
Nipple	
C000417.....	47
F420101.....	45, 49
F420103.....	45
F420105.....	45, 49
F420108.....	45, 49
F8110201.....	45, 49
F8110601.....	45

N/A items do not appear in index.



No-Swivel Coupling	
F422109 .....	27, 31
Nut	
F430202 .....	33
F430205 .....	37, 57
F430211 .....	21
F430215 .....	35
F430218 .....	19
F430231 .....	11, 17, 33
F430232 .....	11
F430264 .....	21, 25, 33
F431005 .....	29, 31, 39
F431022 .....	27, 31, 35
F431026 .....	29, 31, 33
F8322601 .....	31
44087301 .....	19
685846 .....	9
70030401 .....	21, 23
70142 .....	37
802292 .....	39
802337 .....	33

## O

O-Ring	
F0170221-00 .....	45
F170201 .....	27, 31
F170208 .....	39
F170215 .....	39
Output Assembly	
F8108501P .....	11
Output Auxiliary Power Harness	
F8028401 .....	11
Output/Logic Harness	
F8028701 .....	15
Overflow Hose	
F8386201 .....	53, 55
Overlay	
F8297101 .....	9

## P

Panel Locator	
56079 .....	21
Partition	
F8120201 .....	23
PC Board Standoff	
210098 .....	9
Pipe	
F0602364-04 .....	37
F0602365-06 .....	53
F0602365-12 .....	53
F0602365-16 .....	53
F0602365-18 .....	53
F0602365-20 .....	53
F0602365-22 .....	53
F0602365-27 .....	53, 55
Pipe Nipple	
70263801 .....	61
901403 .....	61, 63
Plug	
F0200237-00 .....	37
F140527 .....	13
F420409 .....	61, 63

F8144101 .....	17
F8223901 .....	13, 17
M400985 .....	13
Plug Cap	
F190304 .....	39
Pop Rivet	
F431210 .....	9, 11, 29, 31, 33
F431215 .....	37, 53, 55
70058501 .....	17, 23
Power Distribution Block Cover	
44014901P .....	15
Power Harness	
F8060401P .....	11
F8367801 .....	11
Pulley	
F280181 .....	57
F280412 .....	57
Push Decal	
F230303 .....	29, 31
Push Handle Kit	
F746201-1 .....	31
F746202-1 .....	29

## R

Rear Bearing Kit	
F745006 .....	57
Rear Center Panel	
F8346502 .....	25
Rear Drive Box Panel	
F8118702 .....	23
Rear Water Box Panel	
F8118701 .....	23
Rebar Frame Kit	
F798772 .....	65
Rebar Frame Template	
F601648 .....	65
Reducer Bushing	
F421936 .....	19
F8100301 .....	45
Reed Switch Assembly	
F8066801P .....	33
Reuse Kit	
F922P3 .....	65
Right Side Cover	
F8105101 .....	23
F8283901 .....	23
F8365001 .....	25
Right Side Panel	
F8105701P .....	21
F8106001 .....	21
Ring Retainer	
F310206 .....	27, 31
Rivet	
M412763 .....	21
Rocker Switch	
F8367701 .....	9
Rotation Sensor	
F8066201 .....	19
Rotation Sensor Bracket	
F8103101 .....	19
Rotation Sensor Harness	
F8066401 .....	19

N/A items do not appear in index.

Rub Rail	
F150409.....	21

## S

Screw	
F430103.....	29, 31
F430168.....	33
F430502.....	29, 31
F430518.....	35
F430903.....	9, 11, 17
F430909.....	33
F430910.....	11
F430913.....	37
F430916.....	33
F430917.....	27, 31, 33, 35, 39
F430921.....	21
F430924.....	37
F430927.....	19, 33
F430938.....	45
F430948.....	11, 41, 43
F430956.....	21, 33
F430993.....	57
F430995.....	33
F8111101.....	19
F8117601.....	9, 11, 21, 23
F8122701.....	19
F8136601.....	13
F8151201.....	17
F8206901.....	11, 21, 23, 25
M411072.....	15, 17
M412105.....	17
20253.....	21, 23, 47
39733.....	15
51780.....	13, 17
51783.....	17
70182601.....	21
70240301.....	21
70321501.....	63
70391101.....	35
70442301.....	47
Scupper	
F150389.....	37, 53, 55
Seal Alignment Fixture Assembly	
F200284800.....	65
Seal Kit	
F798827-00.....	37
Shaft Assembly	
F633430.....	65
Shaft Seal Alignment Fixture	
F0100314-00.....	65
Sheave Pulley	
F8061301P.....	57
Shell Band Assembly	
F603910.....	35
F603911.....	35
Shell Band Fastener Kit	
F791001.....	35
Shell Band Gasket	
F170120RP.....	35
F8302002.....	35
Shell Front Assembly	
F200120000.....	29, 31
Shell Front Kit	
F8011301P.....	29, 31, 35

Shell Gasket Shield	
F601216.....	35
Shell Mounting Bracket	
F601806.....	37
Shell Reinforcement Plate Assembly	
F8084201.....	37, 53, 55
Shell Weldment	
F8082501.....	37, 61
F8082502.....	37, 59
F8082801.....	37, 61
F8082802.....	37, 59
F8273401.....	37, 61
F8273402.....	37, 59
F8273501.....	37, 61
F8273502.....	37, 59
F8378001.....	37, 63
F8378002.....	37, 59
F8378101.....	37, 63
F8378102.....	37, 59
Side Electrical Box Panel	
F8364901.....	25
Side Panel Cover	
F8098401.....	21
Side Water Box Panel	
F8364801.....	25
Slinger	
F100204.....	37
Snap Bushing	
F140938.....	11
M402542.....	13, 17
M405340.....	11
Soap Dispenser Shroud Weldment	
F8024301.....	39
Solenoid Mount Bracket	
F8127501.....	33
Spin Warning Decal	
F200085100.....	39
Spray Nozzle Gasket	
F8322701.....	31
Spray Pipe Assembly	
F8126202.....	27, 31
Spray Rinse Bracket Assembly	
F602901P.....	27, 31, 35
Spray Rinse Hose Assembly	
F8379801.....	31
Spray Rinse Hose Kit	
F730024.....	27
Spray Rinse Nozzle Kit	
F730077.....	27
Spray Rinse Strap	
F602880.....	27, 31, 35
Steam Assembly	
F8104501.....	61
F8394501.....	63
Steam Filter	
F270307.....	61, 63
Steam Heat Kit	
F943P3.....	63
F947P3.....	61
Steam Hose	
F200197.....	61, 63
Steam Injector Tube Assembly	
F603131.....	61, 63

N/A items do not appear in index.

Steam Valve F380787P .....	61
Steam-Electric Switch Label F8368301 .....	9
Step Down Power Harness F8405101 .....	17
Strain Relief Adapter Kit F749802 .....	39
Strain Relief Connector F140340P .....	39
Strainer F270200 .....	41
Street Elbow F420502 .....	45, 49
F421703 .....	61, 63
H86070034 .....	61
Supply Controls Bracket F8103001 .....	9
Supply Dispenser Spacer F0150525-00 .....	39
Supply/Fill Module Harness F8073601P .....	45, 49
Support Bracket F8302601 .....	23
F8302602 .....	23
Swivel Coupling F422108 .....	27, 31

## T

Tee	
F420402 .....	45, 49
F422802 .....	53
F422803 .....	53
F8137401 .....	37, 53
F8246601 .....	11
Temperature Harness F8028221P .....	19
F8028223 .....	19
Terminal Block M413865 .....	15
430642 .....	15
Terminal Block Shield 70333001 .....	15
Thermistor Sensor F370609 .....	19
Top Cover Panel F8105401 .....	23
F8352702 .....	25
Top Latch Bracket Casting F150201P .....	33
Top Support Brace F8099301 .....	23
Transformer F360157P .....	17
201616 .....	11
Transformer Kit 210019P .....	11
Trim	
F170400RP .....	39
F8152701 .....	9
F8152703 .....	17

Trim Seal F100284 .....	37
Tubing	
C000628P .....	57
F8153901 .....	11
F8153902 .....	11

## U

U-Bolt Clamp F200401P .....	45, 49, 61
UniLinc PC and PDA Software CD F8133301 .....	65
F8133701 .....	65
Upper Belt Guard F8244301P .....	21
F8392901 .....	21
USB IR Device Assembly F8167901 .....	65
Use Copper Conductors Only Caution Label F8242201 .....	17

## V

Vacuum Breaker Cap F0380808-00 .....	45
Vacuum Breaker Valve F063754701P .....	45
F380800P .....	45
Valve	
F381701P .....	45, 49
F381703P .....	45
F8322801P .....	51, 63
F8322901P .....	47
Valve Mounting Bracket F8331901 .....	43
Valve, 4-Way F381723P .....	41
F8336601 .....	43
Vent Hose F8261301 .....	37

## W

Warning Label F8233501 .....	9, 23, 45, 49
44127701 .....	11, 21, 23, 25, 37
Washer	
F430300 .....	57
F430317 .....	35
F431100 .....	21, 29, 31, 33, 39
F431108 .....	33
F431112 .....	37
F431113 .....	35
F431116 .....	37
F431118 .....	33
F431134 .....	57
F431147 .....	39
F8195301 .....	39
M400013 .....	37
M400014 .....	19, 37, 57
M400081 .....	19, 37, 57

N/A items do not appear in index.

M405535 .....	21
20290 .....	45, 47, 49
803615 .....	45, 47, 49
Water Box Bottom	
F8105301 .....	23
Water Box Bottom Panel	
F8283701 .....	23
Water Box Rear Panel	
F8283801 .....	23
Water Hose	
F200107P .....	37, 53, 55
F200110P .....	41, 43
F200164 .....	45, 47, 49
F200165 .....	45, 47, 49
F200166 .....	45, 47, 49
Water Line Caution Decal	
F230734 .....	23
Water Pressure Switch	
F8223001P .....	11
Water Valve Assembly Decal	
F230754 .....	41
Water Valve Rebuild Kit	
F380995P .....	45, 49
Wet-Clean Kit	
F923P3 .....	65
Wire Label	
70218701 .....	15

---

## Y

Y Connector	
F422816 .....	41, 43

---